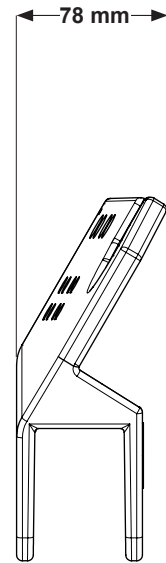
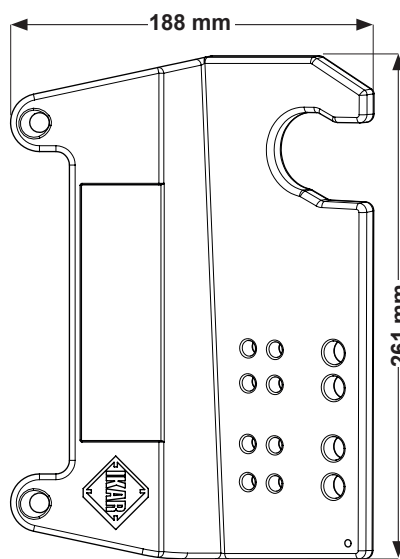


Tripod Mounting Bracket for HRA Devices 12 - 42



Product information:

Order No:	Material	Dimensions (LxBxT)	Weight
41-54/12-42A3	Aluminium	261 x 188 x 78 mm	2,1 kg

Features:

- Mounting bracket for mounting IKAR HRA devices (HRA 12 bis HRA 42)
- Compatible with IKAR DB-A3 and DB-A3R
- Clamp connection on the tripod
- Quick fastening of the HRA device using a locking pin
- Light aluminum design