

## VEST VS 032

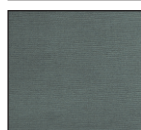
Comfortable protective high visible vest for safety harness



Fabric colors available



**NEW EMPIRE RED (UTOPIA)**  
WEIGHT 210 g/m<sup>2</sup>



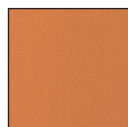
**BOTTLE GREEN (CONCEPT)**  
WEIGHT 210 g/m<sup>2</sup>



**COMBO BLUE (COMBO BLUE)**  
WEIGHT 210 g/m<sup>2</sup>



**BLACK (UTOPIA)**  
WEIGHT 210 g/m<sup>2</sup>



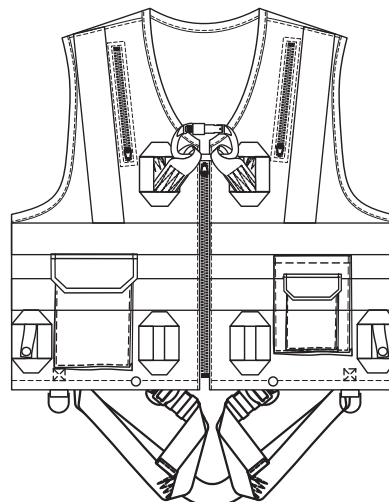
Luminex  
H.V. Orange



Luminex  
H.V. Yellow



Size: L .. XXL (widen belt added)



### Description

Outshell:

Luminex: **Blend: 85% Polyester 15% Cotton**  
Other colors: **Blend: 65% Polyester 35% Cotton**

Inner fabric: **100% Polyester**

Zippers: 1x front one-way plastic zipper  
2x chest one-way plastic zipper

Press-stud fastener: 7 x metal 2 two-element press-stud

Connector hole strengthening: polyamide

Features: 1 front hand 14x21 cm pockets with flap  
1 front chest 14x18 cm pocket with Velcro  
1 front pocket 9x14 cm with flap

Industrial laundering max 85°C

Weight: **0,60 kg**



[www.protekt.com.pl](http://www.protekt.com.pl)