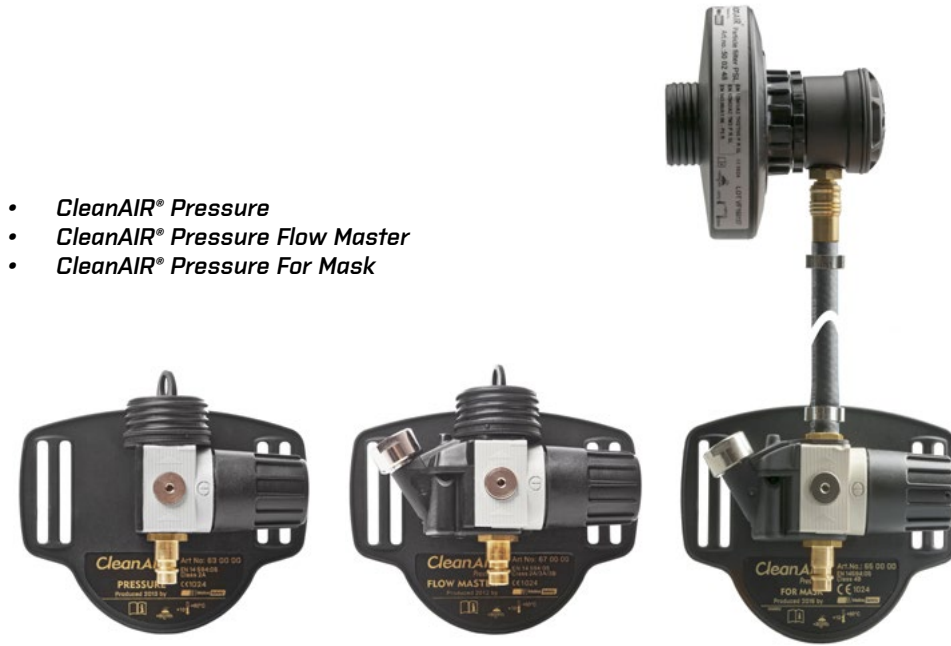
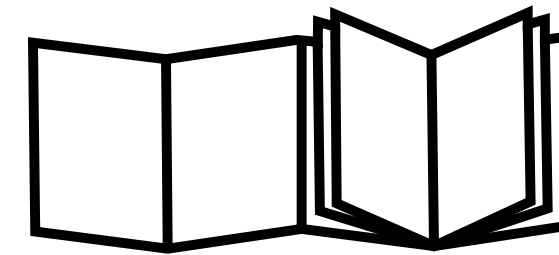


- CleanAIR® Pressure
- CleanAIR® Pressure Flow Master
- CleanAIR® Pressure For Mask



- CleanAIR® Pressure Conditioner



Headtop combinations with CA Pressure (Flow Master)



Headtop combinations with CA Pressure For Mask



ENG	3	ESP	27	CHN	51	POL	74
CZE	9	FIN	33	HUN	56	RUS	80
DAN	15	FRE	39	ITA	62	SWE	86
DUT	21	GER	45	NOR	68	TUR	92



Pressure Compressed Airline Systems

ENG **IMPORTANT:** To ensure your safety, please read and remember the following instructions before use. Keep the manual for future reference. The unit should be used only for the purposes listed in this manual.

CZE **DŮLEŽITĚ:** V zájmu vlastní bezpečnosti si před použitím přečtěte a zapamatujte instrukce v návodu. Návod si ponechte pro budoucí použití. Jednotka by měla být použita pouze pro účely vyjmenované v návodu.

CHI **注意:** 为了确保您的安全, 使用前, 请阅读并牢记以下说明。妥善保管好本手册, 以便日后查阅。本装置只能用于本手册所述目的。

DAN **VIGTIGT:** Læs og husk denne vejledning før brug, af hensyn til din egen sikkerhed. Behold vejledningen til senere opslagsbrug. Enheden bør kun anvendes til de formål, der er nævnt i denne vejledning.

DUT **BELANGRIJK:** Lees voor gebruik de volgende instructies goed door en onthoud deze voor uw eigen veiligheid. Bewaar de handleiding voor toekomstige raadpleging. De eenheid mag alleen worden gebruikt voor de doelen in deze handleiding.

SPA **IMPORTANTE:** A fin de garantizar su seguridad, lea y recuerde estas instrucciones antes del uso. Guarde el manual para poder realizar las consultas necesarias en el futuro. La unidad de aire comprimido debería utilizarse únicamente para los propósitos indicados en este manual.

FIN **TÄRKEÄÄ:** Oman turvallisuutesi varmistamiseksi lue ja pidä mielessä seuraavat ohjeet ennen käyttöä. Säilytä opas myöhempää tarvetta varten. Yksikköä tulee käyttää ainoastaan tässä oppaassa lueteltuihin tarkoituksiin.

FRE **IMPORTANT :** Pour assurer votre sécurité, veuillez lire et mémoriser les instructions suivantes avant tout usage afin d'assurer votre propre sécurité. Conservez le manuel pour vous y référer dans le futur. L'unité ne doit être utilisée qu'aux seules fins mentionnées dans le présent manuel.

GER **WICHTIG:** Bitte lesen und merken Sie sich vor Gebrauch die folgenden Anweisungen, um Ihre eigene Sicherheit zu gewährleisten. Bewahren Sie das Handbuch für eine zukünftige Referenz auf. Das Gerät darf nur für den in diesem Handbuch aufgeführten Zweck verwendet werden.

HUN **FONTOS:** Kérjük, saját biztonságá érdekében használat előtt olvassa el és jegyezze meg az alábbi utasításokat. Űrizze meg a kézikönyvet, a későbbiekben szükségére lehet rá. Az egységet kizárólag a kézikönyvben felsorolt célokra szabad használni.

HEB **שוב:** כדי להבטיח את ביטחונך, אנא קרא/י חזרו/י את ההוראות הבאות לפני השימוש. שמרו/י את המדריך לשימוש עתידי. יש להשתמש ביחידה אך ורק למטרות שפורטו במדריך למשתמש זו.

ITA **IMPORTANTE:** Leggere e ricordare le seguenti istruzioni prima dell'uso per garantire la propria sicurezza. Conservare il manuale per una futura consultazione. L'unità deve essere utilizzata solo per i fini elencati in questo manuale.

NOR **BELANGRIJK:** Lees voor gebruik de volgende instructies goed door en onthoud deze voor uw eigen veiligheid. Bewaar de handleiding voor toekomstige raadpleging. De eenheid mag alleen worden gebruikt voor de doelen in deze handleiding.

POL **WAŻNE:** Aby zapewnić bezpieczeństwo, przed rozpoczęciem użytkowania należy przeczytać i zapamiętać poniższe instrukcje. Instrukcję obsługi należy zachować do wykorzystania w przyszłości. Aparatu można używać tylko do celów opisanych w niniejszej instrukcji obsługi.

POR **IMPORTANTE:** Para garantir a sua segurança, leia e recorde as seguintes instruções antes de usar. Guarde o manual para consultas futuras. A unidade só deve ser usada para os efeitos indicados neste manual.

RUS **ВАЖНОЕ ПРИМЕЧАНИЕ!** Пожалуйста, прочтите и запомните следующие инструкции перед использованием данного изделия в целях обеспечения собственной безопасности. Сохраните данное руководство для дальнейшего использования. Эта система должна использоваться только для целей, указанных в данном руководстве.

SWE **VIKTIGT:** För din säkerhets skull bör du läsa och komma ihåg instruktionerna nedan innan du använder produkten. Behåll manualen för framtida referens. Enheten får endast användas för ändamålen som beskrivs i denna manual.

TUK **ÖNEMLİ:** Kendi güvenliğinizi sağlamak için solunum cihazını kullanmadan önce lütfen aşağıdaki talimatları okuyun ve unutmayın. Bu kılavuzu daha sonra kullanmak üzere saklayın. Bu cihaz, sadece bu kılavuzda belirtilen amaçlara yönelik olarak kullanılmalıdır.

Important

Please read and remember the following instructions before use to assure your own safety. If you have any questions, please contact the manufacturer or your distributor. Keep the manual for future reference. The compressed air unit should be used only for the purposes listed in this manual.

1. Introduction

Compressed air line systems CleanAIR® Pressure are systems of personal respiratory protection based on the principle of overpressure of continuously supplied filtered air in the breathing zone (continuous flow compressed air line breathing apparatuses). The air is taken from a source of compressed air (compressor or air line system) and delivered to CA Pressure / CA Pressure Flow Master / CA Pressure For Mask system, which enables regulation of the airflow delivered through an air hose into a protective mask or a hood. The overpressure prevents contaminants from entering the breathing zone. This mild overpressure at the same time ensures the wearer's comfort, even during long periods of use, as the wearer does not have to struggle in their breathing to overcome the resistance of the filter.

CleanAIR® Pressure is not the only system to be equipped with a pressure gauge for checking current input pressure and a warning whistle, both the units CleanAIR® Pressure Flow Master and CleanAIR® Pressure For Mask come with the same feature, which warns the user if inlet pressure falls below the bottom limit of operating pressure. The air directly supplied from the compressor or air line system must be hygienically clean and must comply with the EN 12021 standard. If the air does not comply with this requirement, install the CA Pressure Conditioner (CAP Conditioner) in between the CA Pressure / CA Pressure Flow Master / CA Pressure For Mask and the source of compressed air!

Quality of the air at the outlet of the CA Pressure Conditioner complies with EN 12021 if it is used within the range of temperatures stated in Chapter 10 and the air from the compressor complies with the requirements of Chapter 1.1. The CAP Conditioner removes oil mist, odours and flavours. There can be two users connected to the filter station.

The CAP Conditioner does not remove carbon monoxide (CO) or carbon dioxide (CO₂) from the air!!!

1.1. Requirements for compressed air supplied from the compressor

- The CAP Conditioner can only be connected to compressor which supplies air at an oxygen concentration of 20 % to 22 % vol. The carbon dioxide concentration must not exceed 500 ppm and the carbon monoxide concentration must not exceed 15 ppm.
- The maximum concentration of water in the air may be 50 mg/m³ at the rated pressure of 1 to 20 MPa. The humidity of the supplied air must be controlled to prevent the unit from freezing.

2. Limitations on use

Before using the system, the user must become fully familiar with possible risks in the workplace, and be fully informed of the safe use of the personal protective equipment. In case of any doubt, please contact the manufacturer or your local distributor. Compressed air line systems CleanAIR® Pressure must be used exclusively with CleanAIR® protective headtops or the full face mask Shigematsu GX02 (CA Pressure For Mask). Therefore read this manual in conjunction with the user manual of CleanAIR® Headtops or user manual of Shigematsu GX02 (CA Pressure For Mask).

Read this manual carefully and follow its instructions!!!

- The user must fully understand the instructions.
- During strenuous work, if the user's breathing becomes too intense, the positive pressure inside the hood may fall and result in decrease in the protection factor.
- The use of oxygen-enriched air and oxygen is forbidden in the CleanAIR® system due to the risk of explosion.
- The system may only be used in environments with a small probability of damage to the supply hose and where the user's movement is not limited.
- If, in addition to CleanAIR®, another accessory (e.g. a spray gun) is connected to the compressed air supply,

- the user must make sure that a sufficient air flow to the hood is secured even at the maximum air consumption by this accessory.
- If the unit is used in environments with high temperatures, the supply hose must be resistant to such effects.
- It is forbidden to use the unit in explosive environments.
- Before every use of the unit, check that the air flow is higher than the minimum value specified in the technical parameters.
- If the unit stops supplying air for any reason, the user must leave the contaminated area immediately.
- When combined with a welding helmet, safety helmet or with a mask, the unit is not recommended for users with a beard or long hair extending to the respiratory zone.
- Beware of a higher CO₂ concentration in the air supply, which may occur if the compressor does not work properly when the lubricating oil sometimes burns due to high temperatures.
- The supply air pressure must be in the range between 400 - 1000 kPa.
- The air source must be equipped with a safety valve to guarantee that the inlet pressure will be not exceeded.
- The supply pressure hoses may only be located in such areas of the workplace where they cannot be damaged.
- Pressure hoses for CA Pressure (Flow Master / For Mask) and CAP Conditioner, order No. 61 00 30 and 61 00 46, are not antistatic and the maximum temperature to which they are resistant without damage is 70 °C.
- The maximum length of the pressure hose from the compressed air distribution or CAP Conditioner to the unit must not exceed 10 m; this only applies for combinations of products with level of protection 1A - 4A. For combinations of products in the class 1B - 4B, the length of supply hose is unlimited.
- The recommended temperature range of use is 10 - 40 °C; at lower temperatures, use of the protective hood or mask with air supply may be unpleasant.
- For the CA Pressure (Flow Master / For Mask) it is necessary to provide breathable air according to EN 12021.
- The CA Pressure (Flow master / For Mask) can be combined with the types of head parts shown in the pictorial annex on the cover of the manual. It also shows the classes for the respective combinations.
- Information on head parts is provided in the instructions on using the CA head parts.
- If using a CA Pressure For Mask, you must place a suitable two-thread filter 50 02 48 or 50 02 68 (depending on surrounding contaminants) in between the unit and the mask. This concept will allow you to breathe safely during possible evacuation when the pressure source stops working.

If any principle stated in this manual is not followed, the warranty becomes null and void!

3. Unpacking / Assembly / Use and Functions

3.1. Unpacking the CA Pressure

Check that the delivery is complete and no damage occurred during the transport.

Contents of the CA Pressure (63 00 00), CA Pressure Flow Master (67 00 00):

CleanAIR® Pressure (Flow Master) unit	1 pc
Belt for the unit	1 pc
Air flow indicator	1 pc
User manual	1 pc

Contents of the CA Pressure For Mask (65 00 00):

CleanAIR® Pressure For Mask unit	1 pc
Two-thread P3 filter	1 pc
Belt for the unit	1 pc
Air flow indicator	1 pc
User manual	1 pc

Contents of the CA Pressure Conditioner (61 00 50):

CA Pressure Conditioner unit	1 pc
Unit stand	1 pc
Screws for connecting the unit to the stand	2 pcs
Gasket	4 pcs
Instruction for Use	1 pc

3.2. Assembling the CAP Conditioner (61 00 50)

Screw the container (CAP Conditioner) down onto the stand; for the procedure see pictorial annex.

3.3. Assembly - CA Pressure (Flow Master / For Mask)

- Check that all components are in good condition, i.e. without apparent damage.
- Connect CAP Conditioner to the compressed air distribution system or straight to a compressor. If the CA Pressure Conditioner is not used, the compressed air supply is connected straight to the CA Pressure (Flow Master / For Mask).
- Attach the unit onto your belt and connect the pressure hose to it.
- Using the quick coupling, connect the pressure hose from the compressed air source to the CA Pressure unit.

4. Before Use

4.1. Check before use

Check before every use:

- that individual parts, particularly the air hose and sealing elements, are free from any apparent damage,
- that the hose is fitted correctly to the unit and to the head part connector,
- that the air pressure in the distribution system is in the range 400 to 1000 kPa for both the CA Pressure Flow Master and For Mask, or in range of 300 to 1000 kPa in case of the CA Pressure unit,
- the air flow according to Chapter 4.2 - the lowest allowable flow rate is 170 lpm,
- that air is supplied from the head part.

4.2. Air flow test (CA Pressure / CA Pressure Flow Master / CA Pressure For Mask)

All the CA Pressure units are pre-adjusted to an airflow of 170 lpm. When measuring the airflow, follow the instructions in the manual enclosed with the flow indicator. If the flow rate is different, proceed as follows:

1. Pull the control knob, you will hear a click (see pictorial annex).
2. To set the optimal airflow, rotate the control knob counter-clockwise (see pictorial annex). To check the airflow you can connect flow indicator.
3. Push the control knob, you will hear a click (see pictorial annex).

WARNING! The airflow should not drop below 160 lpm!

5. Maintenance and Cleaning

CA Pressure / CA Pressure Flow Master / CA Pressure For Mask

Every time you finish work, it is recommended to clean the CA Pressure unit, to check individual parts and to replace any damaged ones.

- Cleaning must be carried out in a well ventilated room. Avoid inhaling the harmful dust settled on individual parts of the unit and accessories!
- It is forbidden to use cleaning agents containing solvents or abrasives. Common detergents are recommended.
- The air hose can be rinsed with clean water.
- Use a damp cloth for cleaning. Each part must be wiped dry after cleaning.

CA Pressure Conditioner

- Once a week, drain the condensate from the container bottom using the drain valve located on the bottom side. Before this operation, it is recommended to disconnect the unit from the compressed air supply.
- Replace the filter at least once every three months. After this period, viruses and bacteria may proliferate in the unit filter and if used regularly, the absorption capacity of the activated carbon eliminating smells may be exhausted (if the air leaving the CA Pressure Conditioner smells in any way, replace the filter immediately).
- When replacing the filter, clean the inner part of the container with a dry cloth and common detergent.

Replacement of the CAP Conditioner filter (see pictorial annex)

- Unscrew the top part of the CAP Conditioner container (6 inbus screws).
- Remove the contaminated filter, wipe the inside of the container.
- Check the condition of the rubber seal in the top cover. If the seal is damaged, replace it.
- Install a new filter, put the container cover on and screw it back.
- Check the container for leakage. If the container is not absolutely tight, tighten all screws that fasten the top cover.

6. Storage

All components of CleanAIR® systems must be stored in rooms with temperatures between 0 °C and 40 °C with relative air humidity between 20 % and 80 %. The storage time in closed containers is max. 2 years.

7. Warranty

Warranty for manufacturing defects is 12 months from the date of sale to the customer. A claim must be filed with the sales organization and proof of sale (invoice or delivery note) must be submitted. Warranty does not cover in particular defects caused by a late replacement of the filter or by using a filter damaged by cleaning or blowing.

8. Possible Faults

If any fault occurs, e.g. a sudden decrease or increase in air supply, and the user it is first necessary to leave the workplace and then check the following:

- That the unit is assembled correctly.
- The filter condition in the CA Pressure Conditioner.
- That the air hose is not damaged.
- That the noise silencer in the CA Pressure / CA Pressure Flow Master / CA Pressure For Mask is not clogged.
- That the face seal on a protective hood or a mask is in good condition.

THE UNIT DOES NOT SUPPLY A SUFFICIENT AMOUNT OF AIR	
Probable cause	Recommendation
Air hose or air duct blocked.	Check and remove the possible obstacle.
Air escapes through leakages.	Check all sealing elements and connections; check that the hose is not damaged and is without leaks.
The noise silencer is clogged.	Replace the noise silencer in the CA Pressure.
The filter in the CA Conditioner is clogged.	Replace the filter.

THE UNIT DOES NOT WORK AT ALL	
Probable cause	Recommendation
Compressed air supply failure. Hose damage.	Check the compressed air source.
	Check that connecting hoses are not damaged.
	Send the unit for an authorized service.

9. Technical Data

CA Pressure	Pressure	Pressure Flow Master	Pressure For Mask
Minimum air flow	170 lpm	170 lpm	170 lpm
Maximum air flow	400 lpm	250 lpm	400 lpm
Weight of unit	250 g	280 g	630 g (including filter)
Inlet connection	Compatible with RECTUS series 25, 26 and CEJN320		
Outlet connection	CA40x1/7"		MINI DN 5
Noise level of unit	61 dB	61 dB	61 dB
Waist size	60 – 150 cm	60 – 150 cm	60 - 150 cm
Supply pressure range	300 – 1000 kPa	400 – 1000 kPa	400 – 1000 kPa
Temperature range at work	+10 to +60 °C	+10 to +60 °C	+10 to +60 °C
Air humidity range at workplace	20 % to 80 % Rh	20 % to 80 % Rh	20 % to 80 % Rh
Certification	EN 14594 Class 2A	EN 14594 Class 3B	EN 14594 Class 4B

CleanAIR® Pressure Conditioner	
Maximum air flow	500 lpm
Weight without filter	6 300 g
Weight including filter	6 800 g
Inlet connection	Compatible with RECTUS series 25, 26 a CEJN320.
Outlet connection	Compatible with RECTUS series 25, 26 a CEJN320.
Recommended temperature range at work	+10 to +60 °C
Recommended air humidity range at workplace	20 % to 80 % Rh
Certification	Complies with EN 12021, providing the requirements of TP-610050-1 are met.

10. Approval, Certification

Compressed air line systems CleanAIR® Pressure are tested and approved in compliance with the requirements of the European standard EN 14594:2005 for use either with CleanAIR® protective hoods or CleanAIR® protective masks. All parts of the system used must be approved by the manufacturer and used in compliance with the instructions stated here in this user manual.

Notified body for CE testing:

Výzkumný ústav bezpečnosti práce, v.v.i. – ZL
Testing Laboratory No. 1024, Jeruzalémská 9, 116 52 Praha 1
Authorized Body 235 | Notified Body 1024

11. List of Spare Parts

CleanAIR® Pressure (Flow Master)	
Order No.:	Description:
63 00 00	CA Pressure + belt
67 00 00	CA Pressure Flow Master + comfort belt
61 00 30	Standard hose 10 m for CAP
61 00 31	Antistatic hose 10 m for CAP
61 00 38	Standard hose 25 m for CAP
61 00 39	Standard hose 50 m for CAP
61 00 46	Spiral hose 10 m for CAP, mechanically resistant - mod.
63 00 10	Noise silencer
70 00 60	Light flexi hose CA40x1/7" - CA40x1/7"
70 00 86CA	Rubber hose CA40x1/7" - CA40x1/7"
70 00 95	Belt for CA Pressure 155 cm
71 00 93	Comfort padded belt
72 00 93	Leather comfort belt
70 00 90RD	Air flow indicator

CleanAIR® Pressure For Mask	
Order No.:	Description:
65 00 00PC	CA Pressure For Mask, complete set with comfort belt
65 00 00PD	CA Pressure For Mask, complete set with decontaminable belt
61 00 30	Standard hose 10 m for CAP
61 00 31	Antistatic hose 10 m for CAP
61 00 38	Standard hose 25 m for CAP
61 00 39	Standard hose 50 m for CAP
61 00 46	Spiral hose 10 m for CAP, mechanically resistant - mod.
70 00 90RD	Air flow indicator
70 00 60	Light flexi hose CA40x1/7" - CA40x1/7"
70 00 86CA	Rubber hose CA40x1/7" - CA40x1/7"
50 02 48	Filter P3, with two threads RD40x1/7"
50 02 68	Filter A2B2E2K2P3, with two threads RD40x1/7"

CleanAIR® Pressure Conditioner	
Order No.:	Description:
61 00 50	CleanAIR® Pressure Conditioner
61 00 10	Filter for CleanAIR® Pressure Conditioner
61 00 24	CleanAIR® Pressure Conditioner - sealing O-ring 139x3 mm
61 00 28	CleanAIR® Pressure Conditioner - sealing O-ring 30x4 mm

Důležité

V zájmu vlastní bezpečnosti si před prvním použitím nejprve přečtěte a zapamatujte následující instrukce. Uchovejte prosím tento návod pro budoucí použití. Systém tlakového vzduchu CleanAIR® Pressure by měla být použita pouze k účelům vyjmenovaným v tomto návodu.

1. Úvod

Systém stlačeného vzduchu CleanAIR® Pressure je systém osobní ochrany dýchacích cest založený na principu přetlaku soustavně dodávaného filtrovaného vzduchu do dýchací zóny (hadicové dýchací přístroje na tlakový vzduch se stálým průtokem).

Narozdíl od jednotky CleanAIR® Pressure jsou jednotky CleanAIR® Pressure Flow Master a CleanAIR® Pressure For Mask také vybaveny tlakoměrem pro kontrolu vstupního tlaku a současně i bezpečnostní píšťalkou, která varuje uživatele v případě, že vstupní tlak poklesne pod spodní limit povoleného provozního tlaku.

Vzduch přiváděný napřímo z kompresoru (či rozvodu tlakového vzduchu) do jednotky musí vyhovovat normě EN 12021. Pokud vzduch nevyhovuje těmto podmínkám, je nutné zařadit CA Pressure Conditioner (CAP Conditioner) mezi zdroj tlakového vzduchu a CA Pressure / CA Pressure Flow Master / CA Pressure For Mask.

Vzduch na výstupu z CA Pressure Conditioner (CAP Conditioner) vyhovuje normě EN 12021 v případě je používán v rozsahu teplot uvedených v kapitole 10 a vzduch z kompresoru vyhovuje požadavkům uvedeným v kapitole 1.1. CAP Conditioner odstraňuje olejové mlhy, pachy a chutě. V jeden okamžik mohou být k filtrační stanici připojeni dva uživatelé (CA Pressure Conditioner).

CAP Conditioner neodstraňuje ze vzduchu oxid uhelnatý (CO) and oxid uhličitý (CO₂)!!!

1.1. Požadavky na stlačený vzduch přicházející z kompresoru

- CA Pressure Conditioner může být připojen pouze na kompresor distribuující vzduch s procentuálním zastoupením kyslíku 20 % až 22 %. Koncentrace oxidu uhličitého nesmí překročit 500 ppm a koncentrace oxidu uhličitého nesmí překročit 15 ppm.
- Koncentrace vody ve vzduchu by neměla překročit 50 mg/m³ při jmenovitém tlaku vzduchu v rozmezí 1- 20 MPa. Vlhkost vzduchu přicházejícího z kompresoru musí být kontrolována jako prevence proti zamrznutí jednotky.

2. Omezení použití

Před použitím systému musí být uživatel plně obeznámen s možnými riziky na pracovišti a plně informován o způsobu bezpečného použití ochranných prostředků. V případě jakýchkoli pochyb kontaktujte výrobce, nebo vašeho lokálního distributora. Systémy tlakového vzduchu CleanAIR® Pressure musí být používány výhradně s hlavovými díly CleanAIR®, nebo celoobličejovou maskou Shigematsu GX02 (CleanAIR® Pressure For Mask). Proto čtěte tento uživatelský manuál společně s návodem k hlavovým dílům CleanAIR®, nebo s návodem Shigematsu GX02 (CleanAIR® Pressure For Mask).

Čtěte tento návod pozorně a postupujte dle pokynů!!!

- Uživatel musí plně chápat pokyny.
- V případě extrémní pracovní zátěže může tlak v kukle, či masce klesnout pod úroveň atmosferického tlaku a v těchto případech může být ochrana uživatele snížena.
- Při použití systému CleanAIR® je kvůli hrozbě exploze zakázáno používat vzduch obohacený o kyslík.
- Systém může být použit pouze v prostředí s nízkou pravděpodobností poškození přírodní hadice, prostředí v němž je systém využíván by zároveň nemělo uživatele omezovat v pohybu.
- V případě, že je kromě systému CleanAIR® k přívodu stlačeného vzduchu připojeno další příslušenství (např. vzduchová pistole), uživatel se musí ujistit, že je zajištěn dostatečný přívod vzduchu do hlavového dílu i při maximálním využití připojeného příslušenství.
- Pokud je zařízení používáno v prostředích s vysokými teplotami, přírodní hadice musí být vůči tomuto vlivu odolná.
- Je zakázáno používat zařízení ve výbušném prostředí.

- Před každým použitím zkontrolujte, že je skutečný průtok vzduchu vyšší, nežli minimální hodnota uvedená ve technických parametrech.
- Pokud z jakéhokoli důvodu jednotka přestane dodávat vzduch, uživatel musí neprodleně opustit kontaminovanou oblast.
- Jednotka v kombinaci se svářecí kuklou, nebo bezpečnostní přilbou není doporučena pro uživatele s bradkou, nebo s dlouhými vlasy přesahujícími do dýchací zóny.
- Dejte si pozor na zvýšené koncentrace CO₂ na vstupní straně, které se mohou vyskytnout v případě, že kompresor nepracuje správně (v případě, že mazací olej spalován díky vysokým teplotám).
- Vstupní tlak musí být v mezích 400 - 1000 kPa.
- Zdroj tlakového vzduchu musí být vybaven bezpečnostním ventilem, aby bylo možné garantovat, že vstupní tlak nebude překročen.
- Hadice přivádějící tlakový vzduch mohou být umístěny pouze na místech, kde nemohou být poškozeny.
- Tlakové hadice pro CA Pressure [Flow Master / For Mask] a CAP Conditioner, objednáací číslo 61 00 30 a 61 00 46 nejsou antistatické a maximální teploty vůči kterým jsou odolné bez poškození činí 70 °C.
- Maximální vzdálenost tlakové hadice vedoucí z kompresoru, nebo z CAP Conditioner činí 10 m.
- Doporučený rozsah teplot pro použití je 10 - 40 °C; při nižších teplotách může být používání ochranné kukly, či masky nepohodlné.
- Jednotku CA Pressure [Flow Master / For Mask] je nezbytné zásobovat dýchatelem vzduchem dle normy EN 12021.
- Jednotky CA Pressure [Flow Master / For Mask] mohou být kombinovány s hlavovými díly uvedenými v obrázkové příloze. Můžete zde nalézt také ochranné třídy pro dané kombinace.
- Návod k použití hlavových dílů je vždy přiložen ke konkrétnímu produktu.
- Pokud používáte jednotku CA Pressure For Mask, musíte umístit dvouzátvitový filtr 50 02 48, nebo 50 02 68 (v závislosti na okolní kontaminaci) mezi jednotku a masku. Tento koncept vám umožní dýchat v průběhu evakuace, v případě, kdy by zdroj tlakového vzduchu přestal fungovat.

Pokud je kterýkoli z uvedených principů v tomto manuálu porušen, záruka zaniká!

3. Rozbalení / montáž / funkce a použití

3.1. Rozbalení CA Pressure

Zkontrolujte, že dodávka je kompletní a nedošlo k žádnému poškození při přepravě.

Obsah balení CA Pressure (63 00 00) a CA Pressure Flow Master (67 00 00):

Jednotka CleanAIR® Pressure (Flow Master)	1 ks
Opasek	1 ks
Indikátor průtoku vzduchu	1 ks
Návod	1 ks

Obsah balení CA Pressure For Mask (65 00 00):

Jednotka CleanAIR® Pressure For Mask	1 ks
Dvouzátvitový částicový P3 filtr	1 ks
Opasek	1 ks
Indikátor průtoku vzduchu	1 ks
Návod	1 ks

Obsah balení CA Pressure Conditioner (61 00 50):

Jednotka CA Pressure Conditioner	1 ks
Stojan	1 ks
Šrouby k upevnění na stojan	2 ks
Podložky	4 ks
Návod	1 ks

3.2. Sestavení jednotek CA Pressure (Flow Master / For Mask)

- Zkontrolujte, že jsou všechny komponenty v pořádku, tj. bez zjevného poškození.
- Připojte CA Pressure Conditioner k rozvodu stlačeného vzduchu, nebo přímo ke kompresoru. Zdroj vzduchu musí být vybaven bezpečnostním ventilem. Pokud není CA Pressure Conditioner použit, tlakový vzduch připojte přímo k CA Pressure (Flow Master / For Mask).
- Upevněte jednotku na opasek a propojte pomocí vzduchové hadice do hlavového dílu.
- Pomocí rychlospojky připojte tlakovou hadici ze zdroje tlakového vzduchu k jednotce CA Pressure [Flow Master / For Mask].

3.3. Sestavení CA Pressure Conditioner (61 00 50)

Sešroubujte jednotku CA Pressure Conditioner se stojanem. Jako návod použijte obrazovou přílohu 1A.

4. Před použitím

4.1. Zkontrolujte před použitím

Před každým použitím zkontrolujte:

- že nejsou jednotlivé díly (především vzduchová hadice a těsnění) poškozeny,
- že je vzduchová hadice správně připojena k jednotce i k hlavovému dílu,
- že je tlak v rozvodu tlakového vzduchu v rozmezí 400 až 1000 kPa pro jednotky CA Pressure Flow Master and CA Pressure For Mask, nebo v rozmezí 300 až 1000 kPa pro jednotku CA Pressure,
- že je průtok vzduchu na výstupu z jednotky dostatečný (dle indikátoru průtoku vzduchu, viz kapitola 4.2),
- že je hlavový díl zásobován vzduchem.

4.2. Test průtoku vzduchu (CA Pressure / CA Pressure Flow Master / CA Pressure For Mask)

- Jednotky jsou přednastaveny na průtok vzduchu 170 l/min. V případě, že měříte průtok vzduchu, dbejte pokynů v návodu příloženému k indikátoru průtoku vzduchu. Pokud naměřený průtok neodpovídá, učinite následující kroky:
- Uvolněte tahem redukční ventil (uslyšíte cvaknutí) - viz. obrazová příloha.
 - Pro nastavení optimálního průtoku vzduchu otáčejte redukčním ventilem po směru, či proti směru hodinových ručiček. Pro kontrolu průtoku vzduchu připojte indikátor průtoku vzduchu (viz. obrazová příloha).
 - Zatlačte na redukční ventil a vraťte ho do původní polohy - uslyšíte cvaknutí (viz. obrazová příloha)

VAROVÁNÍ: Průtok vzduchu by neměl klesnout pod 160 l/min!!!

5. Údržba a čištění

CA Pressure / CA Pressure Flow Master / CA Pressure For Mask

- Na konci každé směny je doporučeno vyčistit jednotku, zkontrolovat jednotlivé díly a vyměnit poškozené části.
- Čištění jednotky musí probíhat v dobře ventilované místnosti. Vyhněte se vdechnutí škodlivého prachu usazeného na jednotlivých částech jednotky a příslušenství!
 - Je zakázáno používat čisticí prostředky obsahující rozpouštědla a abrazivní látky. K čištění lze doporučit běžné detergenty.
 - Vzduchová hadice může být opláchnována čistou vodou.
 - K čištění používejte vlhký hadr. Každá část musí být utřena do sucha.

CA Pressure Conditioner

- Jednou za týden vypusťte zkondenzovanou vodu z nádrže za pomoci výpusti umístěné na spodní části. Před tímto úkonem je doporučeno odpojit jednotku od zdroje stlačeného vzduchu.
- Vyměňte tento filtr vždy alespoň jednou za 3 měsíce. Po uplynutí této doby se mohou v jednotce začít velmi rychle množit viry a bakterie. V případě, že je jednotka používána pravidelně, absorpční kapacita aktivního uhlí eliminujícího zápach může být vyčerpána (pokud vzduch vycházející z jednotky CA Pressure Conditioner jakkoli zapáchá, vyměňte okamžitě filtr).
- Když měníte filtr, vyčistěte nejprve vnitřek jednotky suchým hadrem za pomoci běžného detergentu.

Výměna filtru CA Pressure Conditioner: (viz. obrázková příloha)

- Odšroubujte horní část jednotky (6 šroubů).
- Odstraňte filtr jednotky a vyčistěte její vnitřek.
- Zkontrolujte stav pryžového těsnění víka jednotky. Pokud je poškozené, vyměňte ho.
- Vložte nový filtr, nasadte víko filtru a našroubujte ho zpátky.
- Zkontrolujte zdali z nádoby neuniká vzduch. Pokud není nádoba naprosto těsná, utáhněte znovu všechny šrouby na horní straně.

6. Skladování

Všechny komponenty systému CleanAIR® musí být skladovány v prostorách s teplotami v rozsahu 0 °C až 40 °C s relativní vlhkostí 20 % až 80 %. Možná doba skladování v uzavřených kontejnerech je maximálně 2 roky.

7. Záruka

Záruka pro výrobní závady je 12 měsíců od data prodeje koncovému zákazníkovi. Nárok musí být uplatněn u dodávajícího při současném předložení faktury, či dodejky. Záruka ztrácí platnost v případě poškození způsobeného pozdní výměnou filtru, nebo použitím filtru poškozeného čištěním, nebo profukováním.

8. Jak postupovat v případě selhání

Pokud se vyskytne jakákoli chyba, náhlý pokles nebo vzestup množství dodávaného vzduchu a uživatel se právě nachází v kontaminovaném prostředí, je nezbytné, aby pracovník co nejrychleji opustil pracoviště a následně zkontroloval následující:

- Že je jednotka správně sestavená.
- Stav filtru CA Pressure Conditioner.
- Že není poškozená vzduchová hadice.
- Že není ucpaný tlumič hluku v jednotce CA Pressure / CA Pressure Flow Master / CA Pressure For Mask.
- Že je obličejová rouška na ochraně kukle, nebo masce v dobrém stavu.

JEDNOTKA NEPOSKYTUJE DOSTATEČNÉ MNOŽSTVÍ VZDUCHU	
Pravděpodobná příčina	Doporučení
Hadice, nebo vzduchový kanál jsou ucpané.	Zkontrolujte a odstraňte případné překážky.
Vzduch uniká díky netěsnostem.	Zkontrolujte všechny těsnící elementy a spoje a ověřte zdali není hadice poškozená a neobsahuje díry.
Tlumič hluku je ucpaný.	Vyměňte tlumič hluku.
Filtr v CA Pressure Conditioner je ucpaný.	Vyměňte filtr.

JEDNOTKA VŮBEC NEFUNGUJE	
Pravděpodobná příčina	Doporučení
Závada na straně zdroje tlakového vzduchu, nebo poškozená hadice.	Zkontrolujte zdroj stlačeného vzduchu.
	Ověřte, zdali jsou propojovací hadice v pořádku.
	Odešlete jednotku do autorizovaného servisu.

9. Technické údaje

CA Pressure	Pressure	Pressure Flow Master	Pressure For Mask
Minimum air flow	170 lpm	170 lpm	170 lpm
Maximum air flow	400 lpm	250 lpm	400 lpm
Weight of unit	250 g	280 g	630 g (including filter)
Inlet connection	Compatible with RECTUS series 25, 26 and CEJN320		
Outlet connection	CA40x1/7"		MINI DN 5
Noise level of unit	61 dB	61 dB	61 dB
Waist size	60 – 150 cm	60 – 150 cm	60 - 150 cm
Supply pressure range	300 – 1000 kPa	400 – 1000 kPa	400 – 1000 kPa
Temperature range at work	+10 to +60 °C	+10 to +60 °C	+10 to +60 °C
Air humidity range at workplace	20 % to 80 % Rh	20 % to 80 % Rh	20 % to 80 % Rh
Certification	EN 14594 Class 2A	EN 14594 Class 3B	EN 14594 Class 4B

CleanAIR® Pressure Conditioner	
Maximální průtok vzduchu	500 l/min
Hmotnost bez filtru	6 300 g
Hmotnost včetně filtru	6 800 g
Vstupní konektor	Kompatibilní s RECTUS 25, 26 a CEJN320
Výstupní konektor	Kompatibilní s RECTUS 25, 26 a CEJN320
Doporučený teplotní rozsah při práci	+10 to +60 °C
Doporučená relativní vzdušná vlhkost při práci	20 % to 80 % Rh
Certifikace	Pokud jsou splněny požadavky uvedené v TP-610050-1, pak odpovídá EN 12021

10. Certifikace

Systémy tlakového vzduchu CleanAIR® Pressure jsou testovány a schváleny v souladu s požadavky Evropského standardu EN 14594:2005 buď pro kombinaci s kuklami, či maskami CleanAIR®. Všechny části systému musí být schváleny výrobcem a používány v souladu s instrukcemi v návodu.

Notifikovaná osoba pro testování CE: Výzkumný ústav bezpečnosti práce, v.v.i. – ZL
Testovací laboratoř č. 1024, Jeruzalémská 9, 116 52 Praha 1
Autorizovaná osoba 235 | Notifikovaná osoba 1024

11. Seznam náhradních dílů

CleanAIR® Pressure Flow Master	
Objednací č.:	Popis:
63 00 00	CA Pressure + opasek
67 00 00	CA Pressure Flow Master + komfortní opasek
61 00 30	Standardní hadice 10 m pro CAP
61 00 31	Antistatická hadice 10 m for CAP
61 00 38	Standardní hadice 25 m pro CAP
61 00 39	Standardní hadice 50 m pro CAP
61 00 46	Spirálová hadice 10 m pro CAP, mechanicky odolná
63 00 10	Tlumič hluku
70 00 60	Lehká flexi hadice CA40x1/7" - CA40x1/7"
70 00 86CA	Hadice pryžová CA40x1/7" - CA40x1/7"
70 00 95	Opasek pro CA Pressure 155 cm
70 00 90RD	Indikátor průtoku vzduchu

CleanAIR® Pressure For Mask	
Objednací č.:	Popis:
65 00 00PC	CA Pressure For Mask, kompletní set včetně komfortního opasku
65 00 00PD	CA Pressure For Mask, kompletní set včetně dekontaminovatelného opasku
61 00 30	Standardní hadice 10 m pro CAP
61 00 31	Antistatická hadice 10 m for CAP
61 00 38	Standardní hadice 25 m pro CAP
61 00 39	Standardní hadice 50 m pro CAP
61 00 46	Spirálová hadice 10 m pro CAP, mechanicky odolná
70 00 90RD	Indikátor průtoku vzduchu
70 00 60	Lehká flexi hadice CA40x1/7" - CA40x1/7"
70 00 86CA	Hadice pryžová CA40x1/7" - CA40x1/7"
50 02 48	Filter P3, se dvěma závity RD40x1/7"
50 02 68	Filtr A2B2E2K2P3, se dvěma závity RD40x1/7"

CleanAIR® Pressure Conditioner	
Objednací č.:	Popis:
61 00 50	CleanAIR® Pressure Conditioner
61 00 10	Filtr pro CleanAIR® Pressure Conditioner
61 00 24	CleanAIR® Pressure Conditioner - těsnící O-kroužek 139x3
61 00 28	CleanAIR® Pressure Conditioner - těsnící O-kroužek 30x4

Viktigt

Læs og husk denne vejledning før brug, af hensyn til din egen sikkerhed. Har du spørgsmål, bedes du kontakte fabrikanten eller forhandleren. Behold manualen til senere opslagsbrug. Trykluffteheden bør kun anvendes til de formål, der er nævnt i denne vejledning.

1. Indledning

Trykluffforsyningsystemer CleanAIR® Pressure er åndedrætsværn baseret på princippet om konstant tilført filtreret luft under overtryk til indåndingsområdet (trykluffforsynede åndedrætsværn med kontinuert flow). Luften kommer fra en luffforsyning med komprimeret luft (kompressor eller trykluff) og leveres til CA Pressure / CA Pressure Flow Master / CA Pressure For Mask -systemet, som sørger for regulering af luftstrømmen, der via en luftslange føres ind i beskyttelsesmasken eller hættten. Overtrykket forhindrer forurenede stoffer i at komme ind i indåndingsområdet. Det milde overtryk sørger for, at masken er behagelig at have på, selv efter lang tids brug, da bæreren ikke skal hive efter vejret for at kompensere for filterets modstand.

CleanAIR® Pressure er ikke det eneste system, der er forsynet med en trykmåler til kontrol af indgangstrykket og en advarselsfløjte. Både CleanAIR® Pressure Flow Master og CleanAIR® Pressure For Mask er udstyret med samme funktion, som advarer brugeren, hvis indgangstrykket når under det mindst tilladte arbejdstryk. Luften, der kommer direkte fra kompressor eller trykluffsystem, skal være hygiejnisk ren og skal overholde EN 12021-standarden. Overholder luften ikke dette krav, skal CA Pressure Conditioner [CAP Conditioner] installeres mellem CA Pressure / CA Pressure Flow Master / CA Pressure For Mask og trykluffskilden!

Kvaliteten af luften ved udløbet af CA Pressure Conditioner overholder kravene i EN 12021, hvis den anvendes inden for de temperaturområder, der nævnes i Kapitel 10, og luften fra kompressoren overholder kravene i Kapitel 1.1. CAP Conditioner fjerner olietåge, lugte og smage. Der kan være to brugere tilsluttet filterenheden.

CAP Conditioner fjerner ikke kullite (CO) eller kultveilt (CO₂) fra luften!!!

1.1. Krav til den komprimerede luft fra kompressoren

- CAP Conditioner må kun tilsluttes en kompressor, som leverer luft med en iltkoncentration på 20–22 % vol. Koncentration af CO₂ må ikke overstige 500 ppm, og koncentrationen af kullite må ikke overstige 15 ppm.
- Det højest tilladte vandindhold i luften er 50 mg/m³ ved et tryk på 1 til 20 MPa. Det er nødvendigt at kontrollere luffugtigheden af den tilførte luft for at undgå, at enheden fryser til.

2. Begrænsninger ved brug

Før systemet tages i brug skal brugeren grundigt indføres i mulige risici ved arbejdet og fuldt ud informeres om forsvarlig anvendelse af det personlige værnemiddel. Ved tvivl kontakt da venligst fabrikanten eller forhandleren. Luffforsynede åndedrætsværn CleanAIR® Pressure må udelukkende anvendes sammen med CleanAIR® beskyttelseshjelm eller fuldmasken Shigematsu GX02 [CA Pressure For Mask]. Læs derfor denne manual sammen med brugervejledningen til CleanAIR® Headtops eller brugervejledningen til Shigematsu GX02 [CA Pressure For Mask].

Læs denne manual omhyggeligt og følg vejledningen!

- Brugeren skal fuldt ud forstå vejledningen.
- Under hårdt arbejde, hvis brugerens åndedræt bliver for anstrengt, kan det positive tryk i hættten falde og resultere i en dårligere beskyttelsesgrad.
- Brug af iltberiget luft og ilt er forbudt ved brug af CleanAIR® enheden pga. eksplosionsfare.
- Systemet må kun anvendes i miljøer, hvor der er ringe risiko for skader på forsyningsslangen, og hvor brugerens bevægelser ikke er begrænsede.
- Hvis der udover CleanAIR® også anvendes andet tilbehør (f.eks. en sprøjte pistol), som er tilsluttet den komprimerede luffforsyning, skal brugeren sørge for, at luftstrømmen til hættten er tilstrækkeligt, selv når det nævnte tilbehør kører ved maksimalt luffforbrug.
- Hvis enheden anvendes i omgivelser med høje temperaturer, skal forsyningsslangen være temperaturrestant.
- Det er forbudt at anvende enheden i omgivelser, hvor der er fare for eksplosioner.
- Enheden skal hver gang inden i brugtagning tjekkes for at luftstrømmen er højere end den mindsteværdi, der er opgivet i de tekniske specifikationer.

- Hvis enheden af en eller anden grund ophører med at levere luft, skal brugeren omgående forlade det forurenede område.
- Når enheden benyttes sammen med en svejsehjelm, en sikkerhedshjelm eller en maske, anbefales den ikke til brugere med skæg eller langt hår, som når ind i masken.
- Vær opmærksom på højere koncentrationer af CO₂ i luftforsyningen, som kan skyldes, at kompressoren ikke virker ordentligt, hvis smøreolien indimellem brænder pga. høje temperaturer.
- Luftforsyningsstrykket skal ligge mellem 400 og 1.000 kPa.
- Luftkilden skal være forsynet med en sikkerhedsventil for at sikre, at indgangstrykket ikke overstiges.
- Forsyningsslangerne må kun placeres inden for arbejdsområdet, hvor de ikke kan blive beskadiget.
- Forsyningslanger til CA Pressure (Flow Master / For Mask) og CAP Conditioner, ordre nr. 61 00 30 og 61 00 46 er ikke antistatiske, og de kan højst modstå en temperatur på 70° C uden at blive beskadiget.
- Den maksimale længde af forsyningslangen fra kompressoren eller CAP Conditioner til enheden må ikke overstige 10 m. Dette er kun gældende for kombinationer af produkter med beskyttelsesniveau 1A – 4A. For kombinationer af produkter i klassen 1B – 4B, er der ingen grænser for, hvor lang forsyningslangen må være.
- Det anbefalede temperaturinterval er 10–40° C. Ved lavere temperaturer kan det være ubehageligt at benytte beskyttelseshætten eller masken med luftforsyning.
- Til CA Pressure (Flow Master / For Mask) er det nødvendigt at tilføre luft egnet til indånding i henhold til EN 12021.
- CA Pressure (Flow master / For Mask) kan kombineres med de typer hovedpåkledning, som vises i billedoversigten på omslaget af vejledningen. Af denne fremgår sikkerhedsklasserne for de forskellige kombinationer.
- Information om hovedbeklædning er givet i vejledningen om brug af CA hovedbeklædning.
- Hvis der benyttes en CA Pressure For Mask, skal der isættes et passende tolagsfilter 50 02 48 eller 50 02 68 (afhængigt af de forurenende stoffer i omgivelserne) mellem enheden og masken. Dette vil tillade, at man kan ånde sikkert under en eventuel evakuering, hvor luftkilden er ophørt med at virke.

Følges anvisningerne i denne manual ikke, dækker garantien ikke!

3. Udpakning / Samling / Brug og funktioner

3.1. Udpakning af CA Pressure

Tjek at leverancen er fuldstændig, og at der ikke er sket nogen beskadigelse under transporten.

Indhold af CA Pressure (63 00 00), CA Pressure Flow Master (67 00 00):

CleanAIR® Pressure (Flow Master) enhed	1 stk.
Bælte til enheden	1 stk.
Luftstrømsmåler	1 stk.
Brugervejledning	1 stk.

Indholds af CA Pressure For Mask (65 00 00):

CleanAIR® Pressure For Mask enhed	1 stk.
TolagsP3-filter	1 stk.
Bælte til enheden	1 stk.
Luftstrømsmåler	1 stk.
Brugervejledning	1 stk.

Indhold af CA Pressure Conditioner (61 00 50):

CA Pressure Conditioner enhed	1 stk.
Stander	1 stk.
Skruer til at fastgøre enheden til standeren	2 stk.
Pakning	4 stk.
Brugervejledning	1 stk.

3.2. Samling af CAP Conditioner (61 00 50)

Skru beholderen [CAP Conditioner] fast på standeren. For vejledning hertil, se billedoversigten.

3.3. Samling – CA Pressure (Flow Master / For Mask)

- Tjek at alle dele er i god stand, dvs. uden synlige skader.
- Forbind CAP Conditioner til luftforsyningssystemet eller direkte til en kompressor. Hvis CA Pressure Conditioner ikke anvendes, forbindes trykluftskilden direkte til CA Pressure (Flow Master / For Mask).
- Sæt enheden fast i bæltet og forbind forsyningslangen til den.
- Forbind forsyningslangen fra trykluftskilden til CA Pressure enheden ved brug af koblingsstikket.

4. Før anvendelse

4.1. Tjek før brug

Tjek før hver ibrugtagning:

- at de enkelte dele er uden synlige skader, især forsyningslangen og forseglingsdelene,
- at forsyningslangen er korrekt fastgjort til enheden og til forbindelsen til hovedbeklædningen,
- at lufttrykket i forsyningsdelen ligger mellem 400 og 1.000 kPa både for CA Pressure Flow Master og For Mask, eller inden for 300 til 1.000 kPa, hvis CA Pressure enheden benyttes,
- luftstrømmen er i overensstemmelse med Kapitel 4.2. – den lavest tilladte luftstrømningshastighed er 170 lpm,
- at luften tilføres fra hoveddelen.

4.2. Test af luftstrøm (CA Pressure / CA Pressure Flow Master / CA Pressure For Mask)

Alle CA Pressure enheder er forudindstillet til en luftstrøm på 170 lpm. Når luftstrømmen måles, skal anvisningerne i manualen, der følger med flowmåleren, følges. Er gennemstrømningshastigheden anderledes, gøres følgende:

1. Træk i betjeningsknappen, indtil du hører et klik (se billedoversigten).
2. For at indstille den optimale luftstrøm, drejer man på betjeningsknappen modsat uret (se billedoversigten). Man kan forbinde flowmåleren for at tjekke luftstrømmen.
3. Tryk på betjeningsknappen, indtil du hører et klik (se billedoversigten).

ADVARSEL! Luftstrømmen må ikke komme under 160 lpm!

5. Vedligeholdelse og rengøring

CA Pressure / CA Pressure Flow Master / CA Pressure For Mask

Det anbefales at rengøre CA Pressure enheden hver gang efter brug samt at tjekke de forskellige dele og udskifte dem, der er beskadiget.

- Rengøringen skal udføres i et godt ventileret rum. Undgå at indånde skadeligt støv, som har sat sig fast på de forskellige dele på enheden og tilbehøret!
- Det er forbudt at benytte rengøringsmidler indeholdende opløsningsmidler eller slibemidler. Almindelige rengøringsmidler anbefales.
- Luftslangen kan renses med rent vand.
- Brug en fugtig klud til rengøringen. Hver del skal tørres af efter rengøring.

CA Pressure Conditioner

- Tøm kondensvandet fra beholderens bund en gang om ugen ved at bruge aftapningsventilen i bunden. Før dette gøres, anbefales det at frakoble enheden fra tryklufforsyningen.
- Udskift filteret mindst én gang hver tredje måned. Efter denne periode kan vira og bakterier sprede sig i enhedens filter, og hvis det bruges regelmæssigt, kan det aktive kuls evne til at absorbere og eliminere lugte blive forringet (hvis luften, der kommer ud af CA Pressure Conditioner lugter det mindste, skal filteret omgående udskiftes).
- Når filteret udskiftes, rengøres den indre del af beholderen med en tør klud og almindeligt rengøringsmiddel.

Udskiftning af CAP Conditioner filteret (se billedoversigten)

- Skru overdelen af CAP Conditioner beholderen (6 unbrako-skruer).
- Fjern det beskidte filter og tør indersiden af beholderen af.
- Tjek om gummiforseglingen i topdækslet er i orden. Hvis forseglingen er beskadiget, skal den udskiftes.
- Isæt et nyt filter, sæt dækslet på igen og skru det fast.
- Tjek beholderen for lækager. Hvis beholderen ikke er fuldstændig tæt, fastspændes alle skruer, som holder topdækslet på plads.

6. Opbevaring

Alle dele på CleanAIR® systemer skal opbevares i rum med temperaturer på mellem 0 og 40° C og en relativ luftfugtighed på mellem 20 og 80 %. Opbevaring i lukkede beholdere er maksimalt 2 år.

7. Garanti

Garanti på fabrikationsfejl gælder 12 måneder fra salgsdatoen til kunden. Der skal indgives en anmeldelse via salgsorganisationen, og et salgsbevis (en faktura eller et leveringsdokument) skal medsendes. Garanti gælder ikke særlige skader, som er opstået pga. forsinket udskiftning af filteret eller pga. brug af et filter, der er blevet beskadiget ved rengøring eller gennemblæsning.

8. Mulige fejl

Hvis der opstår fejl, som f.eks. pludseligt fald eller stigning i lufttilførslen, er det nødvendigt for brugeren først at forlade arbejdspladsen og derpå kontrollere følgende:

- Enheden er korrekt samlet.
- Filterets tilstand i CA Pressure Conditioner.
- Luftslangen ikke er beskadiget.
- At støjdæmperen i CA Pressure / CA Pressure Flow Master / CA Pressure For Mask ikke er tilstoppet.
- At forseglingen om ansigtet på en beskyttelsehætte eller maske er i god stand.

ENHEDEN TILFØRER IKKE EN TILSTRÆKKELIG MÆNGDE LUFT	
Mulige årsager	Anbefaling
Luftslange eller lufttilførsel blokeret.	Tjek og fjern mulige forhindringer.
Der kommer luft ud af lækager.	Tjek alle forseglinger og forbindelser, og tjek luftslangen ikke er beskadiget og ikke har nogen lækager.
At støjdæmperen ikke er tilstoppet.	Udskift lyddæmperen i CA Pressure.
Filteret i CA Conditioner er tilstoppet.	Udskift filteret.

ENHEDEN VIRKER SLET IKKE	
Mulige årsager	Anbefaling
Problemer med trykluffforsyningen. Skader på slangen.	Tjek trykluffkilden.
	Tjek at forbindelsesslangerne ikke er beskadigede.
	Indsend enheden til et autoriseret serviceeftersyn.

9. Tekniske data

CA Pressure	Pressure	Pressure Flow Master	Pressure For Mask
Minimum luftstrøm	170 lpm	170 lpm	170 lpm
Maksimalt luftstrøm	400 lpm	250 lpm	400 lpm
Enhedens vægt	250 g	280 g	630 g (inkl. filter)
Indgangsforbindelse	Kompatibel med RECTUS serien 25, 26 a CEJN320		
Udløbsforbindelse	CA40x1/7"		MINI DN 5
Enhedens støjniveau	61 dB	61 dB	61 dB
Livvidde	60–150 cm	60–150 cm	60–150 cm
Forsyningstrykområde	300–1.000 kPa	400–1.000 kPa	400–1.000 kPa
Arbejdstemperatur	+10 til +60° C	+10 til +60° C	+10 til +60° C
Luftfugtighed på arbejdspladsen	20 til 80 % rh	20 til 80 % rh	20 til 80 % rh
Certificering	EN 14594 Class 2A	EN 14594 Class 3B	EN 14594 Class 4B

CleanAIR® Pressure Conditioner	
Maksimalt luftstrøm	500 lpm
Vægt uden filter	6.300 g
Vægt med filter	6.800 g
Indgangsforbindelse	Kompatibel med RECTUS serien 25, 26 a CEJN320.
Udløbsforbindelse	Kompatibel med RECTUS serien 25, 26 a CEJN320.
Anbefalet arbejdstemperatur	+10 til +60° C
Anbefalet luftfugtighed på arbejdspladsen	20 til 80 % rh
Certificering	Overholder kravene i EN 12021, såfremt kravene i TP-610050-1 er overholdt.

10. Godkendelse, certificering

Det trykluffforsynede åndedrætsværn CleanAIR® Pressure er testet og godkendt i overensstemmelse med kravene i den europæiske standard EN 14594:2005 til brug enten med CleanAIR® beskyttelsehætter eller CleanAIR® beskyttelsesmasker. Alle dele af det benyttede system skal godkendes af fabrikanten og anvendes i overensstemmelse med de anvisninger, der fremgår af nærværende brugervejledning.

Bemyndiget organ for CE-test:

Výzkumný ústav bezpečnosti práce, v.v.i. – ZL
Testing Laboratory No. 1024, Jeruzalémská 9, 116 52 Praha 1
Authorized Body 235 | Notified Body 1024

11. Reservedelsliste

CleanAIR® Pressure (Flow Master)	
Ordrenr.:	Beskrivelse:
63 00 00	CA Pressure + bælte
67 00 00	CA Pressure Flow Master + komfortabel bælte
61 00 30	Standard luftslange 10 m med CAP tilslutning
61 00 31	Antistatisk luftslange 10 m med CAP tilslutning
61 00 38	Standard luftslange 25 m med CAP tilslutning
61 00 39	Standard luftslange 50 m med CAP tilslutning
61 00 46	Spiralslange 10 m med CAP tilslutning, moderat modstandsdygtig over for mekaniske påvirkninger.
63 00 10	Støjdæmper
70 00 60	Lys flekslange CA40x1/7" – CA40x1/7"
70 00 86CA	Gummislange CA40x1/7" – CA40x1/7"
70 00 95	Bælte til CA Pressure 155 cm
71 00 93	Komfortabelt, foret bælte
72 00 93	Komfortabelt bælte i læder
70 00 90RD	Luftstrømsmåler

CleanAIR® Pressure For Mask	
Ordrenr.:	Beskrivelse:
65 00 00PC	CA Pressure For Mask, komplet sæt med komfort bælte
65 00 00PD	CA Pressure For Mask, komplet sæt med dekontaminerbar bælte
61 00 30	Standard luftslange 10 m med CAP tilslutning
61 00 31	Antistatisk luftslange 10 m med CAP tilslutning
61 00 38	Standard luftslange 25 m med CAP tilslutning
61 00 39	Standard luftslange 50 m med CAP tilslutning
61 00 46	Spiralslange 10 m med CAP tilslutning, moderat modstandsdygtig over for mekaniske påvirkninger.
70 00 90RD	Luftstrømsmåler
70 00 60	Lys flekslange CA40x1/7" – CA40x1/7"
70 00 86CA	Gummislange CA40x1/7" – CA40x1/7"
50 02 48	Filter P3, todelt RD40x1/7"
50 02 68	Filter A2B2E2K2P3, todelt RD40x1/7"

CleanAIR® Pressure Conditioner	
Ordrenr.:	Beskrivelse:
61 00 50	CleanAIR® Pressure Conditioner
61 00 10	Filter til CleanAIR® Pressure Conditioner
61 00 24	CleanAIR® Pressure Conditioner – forsegling O-ring 139x3 mm
61 00 28	CleanAIR® Pressure Conditioner – forsegling O-ring 30x4 mm

Belangrijk

Lees voor gebruik de volgende instructies goed door en onthoud deze voor uw eigen veiligheid. Neem in geval van vragen contact op met de fabrikant of uw distributeur.

Bewaar de handleiding voor toekomstige raadpleging. De persluchteenheid mag alleen worden gebruikt voor de doelen in deze handleiding.

1. Inleiding

Persluchtleidingssystemen CleanAIR® Pressure zijn persoonlijke ademhalingsbeschermingsmiddelen op basis van het principe van een overdruk van een continue, gefilterde luchtvoorziening in de ademzone (ademhalingsapparatuur met continue luchttoevoer). De lucht is afkomstig van een persluchtbron (compressor of luchtleidingssysteem) en wordt afgeleverd aan het CA Pressure / CA Pressure Flow Master / CA Pressure For Mask systeem, waardoor regeling van de luchtstroom door een luchtleiding in een beschermingsmasker of -kap mogelijk wordt. De overdruk voorkomt dat verontreinigende stoffen de ademzone binnendringen. Tegelijkertijd verzorgt deze lichte overdruk het comfort van de drager, zelfs tijdens langere gebruikperiodes. De drager hoeft namelijk geen moeite te doen om adem te halen in verband met de weerstand van het filter.

CleanAIR® Pressure is niet het enige systeem dat van een waarschuwingsfluitje en een drukmeter is voorzien om de juiste invoerdruk te controleren, want zowel de CleanAIR® Pressure Flow Master-eenheid als de CleanAIR® Pressure For Mask-eenheid zijn voorzien van beide functies zodat de gebruiker gewaarschuwd wordt als de invoerdruk onder de onderlimiet van de gebruiksdruk zakt. De lucht die direct vanuit de compressor of het luchtleidingssysteem afkomstig is, moet hygiënisch schoon zijn en moet voldoen aan de EN 12021 standaard. Als de lucht niet aan deze eis voldoet, installeert u de CA Pressure Conditioner (CAP Conditioner) tussen de CA Pressure / CA Pressure Flow Master / CA Pressure For Mask en de persluchtbron in!

De luchtkwaliteit aan de uitlaat van de CA Pressure Conditioner voldoet aan EN 12021 als deze binnen de temperaturen wordt gebruikt zoals aangegeven in Hoofdstuk 10 en de lucht van de compressor voldoet aan de eisen zoals aangegeven in Hoofdstuk 1.1. De CAP Conditioner verwijdert oliedampen, geurtjes en smaken. Er kunnen twee gebruikers worden aangesloten op het filterstation.

De CAP Conditioner verwijdert geen koolstofmonoxide (CO) of koolstofdioxide (CO₂) uit de lucht!!!

1.1. Eisen aan perslucht die vanuit de compressor wordt geleverd

- De CAP Conditioner kan alleen worden aangesloten op een compressor die lucht aanlevert met een zuurstofconcentratie van 20 tot 22% vol. De concentratie koolstofdioxide mag niet hoger zijn dan 500 ppm en de concentratie koolstofmonoxide mag niet hoger zijn dan 15 ppm.
- De maximale waterconcentratie in de lucht mag 50 mg/m³ bij de nominale druk van 1 tot 20 MPa. De vochtigheid van de aangeleverde lucht moet worden beperkt om te voorkomen dat de eenheid bevriest.

2. Gebruiksbeperkingen

Voordat het systeem wordt gebruikt, moet de gebruiker geheel vertrouwd zijn met de mogelijke risico's op de werkplek en volledig zijn ingelicht over het gebruik van persoonlijke beschermingsmiddelen. Neem in geval van twijfel contact op met de fabrikant of uw distributeur. Persluchtleidingssystemen CleanAIR® Pressure mogen alleen worden gebruikt met CleanAIR® beschermende kappen of het Shigematsu GX02 volgelaatsmasker (CA Pressure For Mask). Lees daarom deze handleiding en de gebruikershandleiding van CleanAIR® beschermende kappen of de gebruikershandleiding van het Shigematsu GX02 (CA Pressure For Mask) volgelaatsmasker zorgvuldig door.

Lees deze handleiding zorgvuldig door en volg de instructies!!!

- De gebruiker dient de instructies volledig te begrijpen.
- Als de ademhaling van de gebruiker tijdens inspannend werk te hevig wordt, kan de positieve druk in de kap zakken hetgeen de beschermende factor kan doen verminderen.
- Het is vanwege explosiegevaar verboden om zuurstofverrijkte lucht of zuurstof te gebruiken in het CleanAIR®-systeem.
- Het systeem mag alleen worden gebruikt in omgevingen met een kleine kans op schade aan de luchtslang en alleen als de gebruiker vrij kan bewegen.
- Als naast de CleanAIR® nog een ander accessoire (bijv. een spuitpistool) op de persluchtvoorziening is aangesloten, moet de gebruiker ervoor zorgen dat voldoende luchtstroom naar de kap aanwezig is, zelfs als dit accessoire de maximale hoeveelheid lucht verbruikt.
- Als de eenheid wordt gebruikt in omgevingen met hoge temperaturen, moet de luchtslang tegen dergelijke omstandigheden bestand zijn.

- Het is verboden om de eenheid in explosiegevaarlijke omgevingen te gebruiken.
- Voor elk gebruik van de eenheid controleert u of de luchtstroom hoger is dan de minimale waarde, zoals gespecificeerd in de technische parameters.
- Als de eenheid om welke reden dan ook geen lucht meer aanlevert, dient de gebruiker de verontreinigde zone direct te verlaten.
- Als de eenheid is gecombineerd met een lashelm, veiligheidshelm of masker, dan wordt de eenheid niet aanbevolen voor gebruikers met een baard of lang haar dat langer is dan de ademhalingszone.
- Let op een hogere CO₂-concentratie in de luchttoevoer. Dit kan namelijk voorkomen als de compressor niet goed werkt doordat de smeerolie verbrandt bij hogere temperaturen.
- De druk van de luchttoevoer moet tussen de 400 – 1000 kPa blijven.
- De luchtbron moet zijn voorzien van een veiligheidsklep om te garanderen dat de inlaatdruk niet wordt overschreden.
- De luchtdrukslangen van de aanvoer mogen alleen in zones van de werkplek worden gebruikt waar deze niet beschadigd kunnen raken.
- Drukslangen voor de CA Pressure (Flow Master / voor masker) en CAP Conditioner, bestelnr. 61 00 30 en 61 00 46 zijn niet anti-statisch en de maximale temperatuur waar deze tegen bestand zijn zonder te beschadigen is 70 °C.
- De maximale lengte van de drukslang van de persluchtverspreiding of CAP Conditioner naar de eenheid mag niet meer zijn dan 10m; dit is alleen van toepassing op combinaties van producten met beschermingsniveau 1A – 4A. Voor combinaties van producten in klasse 1B – 4B is de lengte van de drukslang onbeperkt.
- De aanbevolen gebruikstemperatuur is 10 – 40 °C; het gebruik van de beschermingskap of een -masker met een luchtvoorziening kan bij een lagere temperatuur onprettig zijn.
- Voor de CA Pressure (Flow Master / voor masker) is het noodzakelijk om ademlucht te verzorgen overeenkomstig EN 12021.
- De CA Pressure (Flow master / voor masker) kan worden gecombineerd met de types hoofdonderdelen die te zien zijn op de afbeelding op de omslag van de handleiding. Hier staan ook de klassen van de respectievelijke combinaties op.
- Informatie over hoofdonderdelen is te vinden in de instructies voor het gebruik van CA hoofdonderdelen.
- Als u een CA Pressure For Mask gebruikt, dan moet u een geschikt filter met dubbele draad 50 02 48 of 50 02 68 tussen de eenheid en het masker plaatsen (afhankelijk van de omringende vervuiling). Hierdoor kunt u veilig ademen tijdens een mogelijke evacuatie waarbij de drukbron stopt met werken.

De garantie wordt ongeldig als enige principe in deze handleiding niet wordt opgevolgd!

3. Uitpakken / Montage / Gebruik en functies

3.1. De CA Pressure uitpakken

Controleer of alles compleet is en of er tijdens het vervoer geen schade is veroorzaakt.

Inhoud van de CA Pressure (63 00 00), CA Pressure Flow Master (67 00 00):

CleanAIR® Pressure (Flow Master) eenheid	1 st
Riem voor de eenheid	1 st
Luchtstroomindicator	1 st
Gebruikershandleiding	1 st

Inhoud van de CA Pressure For Mask (65 00 00):

CleanAIR® Pressure For Mask eenheid	1 st
P3 filter met dubbele draad	1 st
Riem voor de eenheid	1 st
Luchtstroomindicator	1 st
Gebruikershandleiding	1 st

Inhoud van de CA Pressure Conditioner (61 00 50):

CA Pressure Conditioner eenheid	1 st
Standaard eenheid	1 st
Schroeven om de eenheid op de standaard te plaatsen	2 st
Pakking	4 st
Gebruiksaanwijzing	1 st

3.2. De CAP Conditioner (61 00 50) monteren

Schroef de bak (CAP Conditioner) op de standaard; zie de afbeelding voor deze handeling.

3.3. Montage – CA Pressure (Flow Master / voor masker)

- Controleer of alle onderdelen in goede staat zijn, d.w.z. zonder aanwijsbare schade.
- Sluit de CAP Conditioner aan op het persluchtverspreidingssysteem of direct op een compressor. Als de CA Pressure Conditioner niet wordt gebruikt, dient de persluchtvoorziening direct op de CA Pressure (Flow Master / voor masker) te worden aangesloten.
- Verbind de eenheid met uw riem en sluit er de drukslang op aan.
- Gebruik de snelkoppeling en sluit de drukslang van de persluchtbron aan op de CA Pressure-eenheid.

4. Voor gebruik

4.1. Controleren voor gebruik

Controleer voor elk gebruik:

- of individuele onderdelen, en dan met name de luchtslang en de afdichtingen, niet beschadigd zijn,
- of de slang goed op de eenheid is aangesloten en op de hoofdconnector,
- of de luchtdruk in het luchtverspreidingssysteem tussen de 400 en 1000 kPa ligt voor zowel de CA Pressure Flow Master als voor het masker, of tussen de 300 en 1000 kPa in geval van de CA Pressure-eenheid,
- of de luchtstroom is zoals beschreven in Hoofdstuk 4.2 – waarbij de laagst mogelijke stroomverhouding 170 lpm is en
- dat er lucht uit het hoofdonderdeel komt.

4.2. Luchtstroomtest (CA Pressure / CA Pressure Flow Master / CA Pressure For Mask)

Alle CA Pressure eenheden zijn vooraf afgesteld op een luchtstroom van 170 lpm. Volg voor het meten van de luchtstroom de instructies in de handleiding die bij de stroomindicator is bijgesloten. Ga als volgt te werk als het debiet anders is:

1. Trek aan de regelknop. U hoort een klik (zie afbeeldingsbijlage).
2. Draai de regelknop tegen de klok in om de optimale luchtstroom in te stellen (zie afbeeldingsbijlage). U kunt de stroomindicator aansluiten om de luchtstroom te controleren.
3. Duw op de regelknop. U hoort een klik (zie afbeeldingsbijlage).

WAARSCHUWING! De luchtstroom mag niet lager zijn dan 160 lpm!

5. Onderhoud en schoonmaken

CA Pressure / CA Pressure Flow Master / CA Pressure For Mask

Aanbevolen wordt om na uw werkzaamheden de CA Pressure-eenheid altijd schoon te maken, te controleren of individuele onderdelen niet beschadigd zijn en deze eventueel te vervangen.

- Het schoonmaken dient plaats te vinden in een goed geventileerde ruimte. Let erop dat u de schadelijke stof die zich heeft gezet op individuele onderdelen van de eenheid en de accessoires niet inademt!
- Het is verboden om schoonmaakmiddelen met oplosmiddelen of schurende stoffen te gebruiken. Een algemeen schoonmaakmiddel wordt aanbevolen.
- De luchtslang kan worden gespoeld met schoon water.
- Gebruik een vochtige doek voor het schoonmaken. Elk onderdeel moet na het schoonmaken droog worden geveegd.

CA Pressure Conditioner

- Voer eens week het condensaat uit de bak af via de afvoerklep op de zijkant, onderaan. Voor deze handeling wordt aanbevolen om de eenheid eerst los te koppelen van de persluchtvoorziening.
- Vervang het filter minimaal elke drie maanden. Na deze periode kan de hoeveelheid virussen en bacteriën in het filter van de eenheid snel toenemen en bij regelmatig gebruik kan de absorptiecapaciteit van de actieve koolstof die geurtjes wegneemt uitgeput raken (vervang het filter onmiddellijk als de lucht die de CA Pressure Conditioner verlaat vreemd ruikt).
- Tijdens het vervangen van het filter maakt u de binnenkant van de bak schoon met een droge doek en regulier schoonmaakmiddel.

Vervanging van het CAP Conditioner filter (zie afbeeldingsbijlage)

- Schroef het bovenste deel van de CAP Conditioner bak los (6 inbusschroeven).
- Verwijder het vervuilde filter en veeg de binnenkant van de bak schoon.
- Controleer de staat van de rubberen afdichting van de bovenkap. Vervang de afdichting als deze is beschadigd.
- Plaats een nieuw filter, plaats de kap van de bak terug en schroef hem terug.
- Controleer de bak op lekken. Als de bak niet geheel afsluit, draai dan alle schroeven dicht waarmee u de bovenkap bevestigt.

6. Opslag

Alle onderdelen van CleanAIR®-systemen moeten worden opgeslagen in ruimtes met temperaturen tussen de 0 °C en 40 °C met een relatieve vochtigheid tussen de 20 en 80%. De opslagtijd in een afgesloten bak is max. 2 jaar.

7. Garantie

De garantie op fabricagedefecten is 12 maanden vanaf de aankoopdatum van de klant. Er moet een vordering worden ingevuld bij de verkooporganisatie en een aankoopbewijs (factuur of aflevernota) moet worden verzonden.

De garantie dekt geen defecten die specifiek zijn veroorzaakt door een te late vervanging van het filter of door een filter te gebruiken dat is beschadigd door schoonmaken of blazen.

8. Mogelijke fouten

Indien er zich fouten voordoen, bijv. een plotselinge afname of stijging van de luchttoevoer, dan moet de gebruiker direct de werkplek verlaten en vervolgens het volgende controleren:

- Of de eenheid goed is gemonteerd.
- De staat van het filter in de CA Pressure Conditioner.
- Of de luchtslang niet is beschadigd.
- Of de geluidsdemper in de CA Pressure / CA Pressure Flow Master / CA Pressure For Mask niet verstopt is.
- Dat de afdichting van de beschermende kap of masker in goede staat is.

DE EENHEID GEEFT ONVOLDENDE LUCHT	
Mogelijke oorzaak	Aanbeveling
Luchtslang of leiding verstopt.	Controleer op verstoppingen en verwijder deze.
Er ontsnapt lucht door een lek.	Controleer alle afdichtingen en verbindingen; controleer of de luchtslang niet is beschadigd en geen lekken bevat.
De geluidsdemper is verstopt.	Vervang de geluidsdemper in de CA Pressure.
Het filter in de CA Conditioner is verstopt.	Vervang het filter.

DE EENHEID WERKT IN ZIJN GEHEEL NIET	
Mogelijke oorzaak	Aanbeveling
Persluchttoevoer defect. Beschadigde slang.	Controleer de persluchtbron.
	Controleer of de aangesloten slangen niet beschadigd zijn.
	Stuur de eenheid op naar een geautoriseerd servicepunt.

9. Technische gegevens

CA Pressure	Pressure	Pressure Flow Master	Pressure For Mask
Minimale luchtstroom	170 lpm	170 lpm	170 lpm
Maximale luchtstroom	400 lpm	250 lpm	400 lpm
Gewicht van de eenheid	250 g	280 g	630 g (inclusief filter)
Inlaatverbinding	Compatibel met RECTUS serie 25, 26 en CEJN320		
Uitlaatverbinding	CA40x1/7"		MINI DN 5
Geluidsniveau eenheid	61 dB	61 dB	61 dB
Omvang taille	60 – 150 cm	60 – 150 cm	60 – 150 cm
Bereik druktoevoer	300 – 1000 kPa	400 – 1000 kPa	400 – 1000 kPa
Temperatuur op de werkplek	+10 tot +60 °C	+10 tot +60 °C	+10 tot +60 °C
Luchtvochtigheid op de werkplek	20% tot 80% Rv	20% tot 80% Rv	20% tot 80% Rv
Certificering	EN 14594 klasse 2A	EN 14594 klasse 3B	EN 14594 klasse 4B

CleanAIR® Pressure Conditioner	
Maximale luchtstroom	500 lpm
Gewicht zonder filter	6300 g
Gewicht met filter	6800 g
Inlaatverbinding	Compatibel met RECTUS serie 25, 26 en CEJN320.
Uitlaatverbinding	Compatibel met RECTUS serie 25, 26 en CEJN320.
Aanbevolen temperatuur op de werkplek	+10 tot +60 °C
Aanbevolen luchtvochtigheid op de werkplek	20% tot 80% Rv
Certificering	Voldoet aan EN 12021, mits men aan de eisen van TP-610050-1 voldoet.

10. Goedkeuring, Certificering

Persluchtleidingsystemen CleanAIR® Pressure worden getest en goedgekeurd overeenkomstig de eisen van de Europese Standaard EN 14594: 2005 voor gebruik met CleanAIR® beschermende kappen of CleanAIR® beschermende maskers. Alle onderdelen van het gebruikte systeem moeten door de fabrikant worden goedgekeurd en worden gebruikt overeenkomstig de instructies die in deze gebruikershandleiding worden aangegeven.

Inlichtingeninstantie voor CE-tests:

Výzkumný ústav bezpečnosti práce, v.v.i. – ZL
Testing Laboratory No. 1024, Jeruzalémská 9, 116 52 Praha 1
Authorized Body 235 | Notified Body 1024

11. Lijst met reserveonderdelen

CleanAIR® Pressure (Flow Master)	
Bestelnr.:	Beschrijving:
63 00 00	CA Pressure + riem
67 00 00	CA Pressure Flow Master + comfortabele riem
61 00 30	Standaardslang van 10 m voor CAP
61 00 31	Anti-statische slang van 10 m voor CAP
61 00 38	Standaardslang van 25 m voor CAP
61 00 39	Standaardslang van 50 m voor CAP
61 00 46	Spiraalvormige slang van 10 m voor CAP, mechanisch bestendig – mod.
63 00 10	Geluidsdemper
70 00 60	Lichte, flexibele slang CA40x1/7" – CA40x1/7"
70 00 86CA	Rubberen slang CA40x1/7" – CA40x1/7"
70 00 95	Riem voor CA Pressure 155 cm
71 00 93	Comfortabele, gewatteerde riem
72 00 93	Lederen comfortabele riem
70 00 90RD	Luchtstroomindicator

CleanAIR® Pressure For Mask	
Bestelnr.:	Beschrijving:
65 00 00PC	CA Pressure For Mask, volledige set met comfort riem
65 00 00PD	CA Pressure Voor Mask, volledige set met ontsmetbare riem
61 00 30	Standaardslang van 10 m voor CAP
61 00 31	Anti-statische slang van 10 m voor CAP
61 00 38	Standaardslang van 25 m voor CAP
61 00 39	Standaardslang van 50 m voor CAP
61 00 46	Spiraalvormige slang van 10 m voor CAP, mechanisch bestendig – mod.
70 00 90RD	Luchtstroomindicator
70 00 60	Lichte, flexibele slang CA40x1/7" – CA40x1/7"
70 00 86CA	Rubberen slang CA40x1/7" – CA40x1/7"
50 02 48	Filter P3, met twee draden RD40x1/7"
50 02 68	Filter A2B2E2K2P3, met twee draden RD40x1/7"

CleanAIR® Pressure Conditioner	
Bestelnr.:	Beschrijving:
61 00 50	CleanAIR® Pressure Conditioner
61 00 10	Filter voor CleanAIR® Pressure Conditioner
61 00 24	CleanAIR® Pressure Conditioner – afdichting O-ring 139x3 mm
61 00 28	CleanAIR® Pressure Conditioner – afdichting O-ring 30x4 mm

Importante

Para garantizar su propia seguridad, lea y recuerde estas instrucciones antes del uso. Si tiene alguna pregunta, póngase en contacto con el fabricante o su distribuidor autorizado. Guarde el manual para poder realizar las consultas necesarias en el futuro. La unidad de aire comprimido deberá utilizarse únicamente para los propósitos indicados en este manual.

1. Introducción

Los sistemas de líneas de aire comprimido CleanAIR® Pressure son sistemas de protección respiratoria personal basados en el principio de sobrepresión de aire filtrado suministrado de forma continua en la zona de respiración (aparatos de respiración con línea de aire comprimido de flujo continuo). El aire se toma desde una fuente de aire comprimido (compresor o sistema de línea de aire) y se suministra al sistema CA Pressure / CA Pressure Flow Master / CA Pressure For Mask, permitiendo la regulación del flujo de aire suministrado a través de una manguera de aire al interior de una máscara o capucha de protección. La sobrepresión evita que la contaminación entre en la zona de respiración. Esta ligera sobrepresión garantiza asimismo a su portador una mayor comodidad, incluso durante largos períodos de uso, sin que el usuario no tenga que forzar la respiración para compensar la resistencia del filtro.

CleanAIR® Pressure no es el único sistema equipado con un manómetro para comprobar la entrada de presión actual y con un silbato de aviso, tanto el CleanAIR® Pressure Flow Master como el CleanAIR® Pressure For Mask poseen la misma característica, avisando al usuario si la presión de entrada desciende por debajo de la presión operativa mínima. El aire suministrado directamente desde el compresor o el sistema de línea de aire debe estar limpio y debe cumplir con la norma EN 12021. Si el aire no cumple este requisito, instale el CA Pressure Conditioner (CAP Conditioner) entre CA Pressure / CA Pressure Flow Master / CA Pressure For Mask y la fuente de aire comprimido.

La calidad del aire en la salida del CA Pressure Conditioner cumple con la norma EN 12021 si se utiliza dentro del rango de temperaturas indicadas en el Capítulo 10 y el aire del compresor cumple los requisitos del Apartado 1.1. El CAP Conditioner elimina la neblina de aceite, los olores y los sabores. Puede haber dos usuarios conectados a la estación de filtrado.

El CAP Conditioner no elimina el monóxido de carbono (CO) o el dióxido de carbono (CO₂) del aire.

1.1. Requisitos para el aire comprimido suministrado desde el compresor

- El CAP Conditioner solo puede conectarse a un compresor que suministre aire con una concentración de oxígeno del 20 % al 22 % con respecto a su volumen. La concentración de dióxido de carbono no debe exceder los 500 ppm y la concentración de monóxido de carbono no puede ser superior a 15 ppm.
- La concentración máxima de agua en el aire puede ser de 50 mg/m³ a una presión de 1 a 20 Mpa. La humedad del aire suministrado debe estar controlada con el fin de evitar que la unidad se congele.

2. Limitaciones de uso

Antes de utilizar el sistema, el usuario deberá conocer bien los posibles riesgos presentes en el lugar de trabajo y estar debidamente informado sobre cómo utilizar el equipo de protección personal de forma segura. Si tiene alguna duda, póngase en contacto con el fabricante o su distribuidor autorizado. Los sistemas de línea de aire comprimido CleanAIR® Pressure deben utilizarse exclusivamente con las capuchas protectoras CleanAIR® o la máscara facial integral Shigematsu GXD2 (CA Pressure For Mask). Lea, por tanto, este manual junto con el manual de usuario de las Capuchas CleanAIR® o el manual de usuario de la Shigematsu GXD2 (CA Pressure For Mask).

Lea atentamente este manual y siga las instrucciones.

- El usuario deberá comprobar que ha entendido perfectamente todas las instrucciones.
- Cuando se realiza un trabajo extenuante y la respiración del usuario es demasiado intensa, la presión positiva en el interior de la máscara podría descender y provocar una disminución del factor de protección.
- El uso de aire enriquecido con oxígeno y de oxígeno está prohibido en el sistema CleanAIR® debido al riesgo de explosión.
- El sistema puede utilizarse únicamente en entornos donde la posibilidad de que se produzcan daños en la manguera de suministro sea escasa y donde el movimiento del usuario no esté restringido.
- Si, además de CleanAIR®, se conecta otro accesorio (por ejemplo una pistola de spray) al suministro de aire comprimido, el usuario deberá asegurarse de que llega un flujo de aire suficiente a la capucha, incluso cuando dicho accesorio haga el máximo consumo de aire.
- Si utiliza la unidad a altas temperaturas, la manguera de suministro deberá ser resistente a estas condiciones.

- Se prohíbe el uso de la unidad en entornos explosivos.
- Antes de utilizar el equipo, compruebe siempre que el flujo de aire sea superior al valor mínimo especificado en los parámetros técnicos.
- Si el equipo deja de proporcionar aire por alguna razón, el usuario deberá abandonar el área contaminada de forma inmediata.
- No se recomienda que personas con barba o cabello largo que llegue hasta la zona de respiración utilicen el equipo cuando se utiliza con un casco de soldador, un casco de seguridad o una máscara.
- Tenga cuidado en caso de que se produzca una excesiva concentración de CO₂ en el suministro de aire, una circunstancia que podría darse si el compresor no trabaja correctamente cuando el aceite lubricante a veces arde debido a las altas temperaturas.
- La presión del aire de suministro debe estar en un rango entre los 400 y los 1000 kPa.
- La fuente de aire debe estar provista de una válvula de seguridad para garantizar que no se exceda la presión de la toma de entrada.
- Las mangueras de presión del suministro solo pueden estar situadas en aquellas zonas del área de trabajo en las que no puedan resultar dañadas.
- Las mangueras de presión para CA Pressure (Flow Master / For Mask) y CAP Conditioner, nº de pedido 61 00 30 y 61 00 46, no son antiestáticas y la temperatura máxima que garantiza su resistencia sin sufrir daños es de 70 °C.
- La longitud máxima de la manguera de presión desde la instalación de aire comprimido o del CAP Conditioner a la unidad no debe superar los 10 m; esto solo se aplica a las combinaciones de productos con un nivel de protección de 1A – 4A. Para las combinaciones de productos en la clase 1B – 4B, la longitud de la manguera de suministro es ilimitada.
- El rango de temperaturas recomendado de uso es de 10 – 40 °C; el uso de la capucha protectora o la máscara con suministro de aire temperaturas más bajas puede resultar desagradable.
- Para el CA Pressure (Flow Master / For Mask) es necesario proporcionar aire respirable según la norma EN 12021.
- El CA Pressure (Flow master / For Mask) puede combinarse con los accesorios para la cabeza que aparecen ilustrados en el anexo de imágenes en la tapa del manual. También muestra las clases para cada una de las combinaciones.
- Las instrucciones sobre la utilización de elementos de cabeza CA incluyen información adicional sobre dichos elementos.
- Cuando utilice el CA Pressure For Mask, deberá colocar un filtro de doble rosca adecuado 50 02 48 o 50 02 68 (en función de los contaminantes de alrededor) entre el equipo y la máscara. Este diseño le permitirá respirar de forma segura durante una posible evacuación cuando la fuente de presión deje de funcionar.

En caso de no cumplir con alguno de los principios indicados en este manual, la garantía perderá su validez.

3. Desembalaje / Montaje / Uso y funciones

3.1. Desembalar el CA Pressure

Compruebe que la entrega esté completa y que no se han producido daños durante el transporte.

Contenido del CA Pressure (63 00 00), CA Pressure Flow Master (67 00 00):

Unidad CleanAIR® Pressure (Flow Master)	1 ud.
Cinta para el equipo	1 ud.
Indicador de flujo de aire	1 ud.
Manual de usuario	1 ud.

Contenido del CA Pressure For Mask (65 00 00):

Unidad CleanAIR® Pressure For Mask	1 ud.
Filtro P3 de rosca doble	1 ud.
Cinturón para el equipo	1 ud.
Indicador de flujo de aire	1 ud.
Manual de usuario	1 ud.

Contenido del CA Pressure Conditioner (61 00 50):

Unidad CA Pressure Conditioner	1 ud.
Soporte del equipo	1 ud.
Tornillos para conectar el equipo al soporte	2 uds.
Junta	4 uds.
Instrucciones de uso	1 ud.

3.2. Montar el CAP Conditioner (61 00 50)

Atornille el contenedor (CAP Conditioner) al soporte; vea el anexo con las ilustraciones para obtener más detalles sobre el procedimiento.

3.3. Montaje – CA Pressure (Flow Master / For Mask)

- Compruebe que todos los componentes se encuentran en buenas condiciones, es decir que no presentan daños evidentes.
- Conecte el CAP Conditioner al sistema de distribución de aire comprimido o directamente al compresor. Si no se utiliza el CA Pressure Conditioner, el suministro de aire comprimido se conecta directamente al CA Pressure (Flow Master / For Mask).
- Coloque el equipo en su cinturón y conecte la manguera de presión al mismo.
- Utilice el acoplamiento rápido, conecte la manguera de presión de la fuente de aire comprimido al equipo CA Pressure.

4. Antes de proceder a su uso

4.1. Comprobar antes del uso

Antes de cada uso, compruebe que:

- las diferentes partes, en particular la manguera de aire y los elementos de sellado no presentan daños evidentes,
- la manguera está correctamente conectada al equipo y al conector de la parte de la cabeza,
- la presión del aire en el sistema de distribución se encuentra en un rango de 400 a 1000 kPa tanto para el CA Pressure Flow Master como para el For Mask, o en un rango de 300 a 1000 kPa en caso del equipo CA Pressure,
- el flujo de aire corresponde a lo indicado en el Apartado 4.2 – el índice de flujo mínimo permisible es de 170 lpm,
- el aire viene suministrado desde el accesorio para la cabeza.

4.2. Prueba de flujo de aire (CA Pressure / CA Pressure Flow Master / CA Pressure For Mask)

Todos los equipos CA Pressure vienen configurados de fábrica para un flujo de aire de 170 lpm. Cuando mida el flujo de aire, siga las instrucciones indicadas en el manual que acompaña el indicador de flujo. Si el índice de flujo es diferente, proceda del siguiente modo:

1. Estire del botón, oírá un clic (ver anexo de ilustraciones).
2. Para establecer el flujo de aire óptimo, gire el botón de control en sentido contrario a las agujas del reloj (ver anexo de ilustraciones). Para comprobar el flujo de aire, puede conectar el indicador de flujo.
3. Pulse el botón de control, oírá un clic (ver anexo de ilustraciones).

AVISO El flujo de aire no debe descender por debajo de los 160 lpm

5. Mantenimiento y limpieza

CA Pressure / CA Pressure Flow Master / CA Pressure For Mask

Siempre, cuando termine su trabajo, se recomienda limpiar el equipo CA Pressure y verificar los diferentes elementos, así como reemplazar aquellos que estén dañados.

- La limpieza debe realizarse en una sala bien ventilada. Evite inhalar el polvo nocivo que se haya podido depositar en las diferentes partes de la unidad y los accesorios.
- Queda prohibido el uso de productos de limpieza que contengan disolventes o abrasivos. Se recomienda el uso de detergentes comunes.
- La manguera de aire puede enjuagarse con agua limpia.
- Utilice un paño húmedo para la limpieza. Cada parte deberá secarse después de la limpieza.

CA Pressure Conditioner

- Una vez a la semana, extraiga la condensación del fondo del contenedor utilizando la válvula de drenaje situada en la parte inferior. Antes de llevar a cabo esta operación, se recomienda desconectar el equipo de la toma de aire comprimido.
- Reemplace el filtro al menos una vez cada tres meses. Después de este período es posible que proliferen los virus y las bacterias en el filtro del equipo y, si se utiliza regularmente, la capacidad de absorción del carbón activado que elimina los olores puede desaparecer (si el aire que sale del CA Pressure Conditioner emite algún tipo de olor, reemplace el filtro inmediatamente).
- Cuando reemplace el filtro, limpie la parte interior del contenedor utilizando un paño seco y un detergente común.

Sustitución del filtro CAP Conditioner (ver anexo con ilustraciones)

- Desatornille la parte superior del contenedor CAP Conditioner (6 tornillos Allen).
- Retire el filtro contaminado, limpie el interior del contenedor.
- Compruebe el estado del sello de la goma de la tapa superior. Si el sello estuviera deteriorado, sustitúyalo.
- Instale un filtro nuevo, vuelva a poner la tapa del contenedor y los tornillos.
- Compruebe que el contenedor no tiene fugas. Si el contenedor no está completamente cerrado, apriete todos los tornillos que fijan la tapa superior.

6. Almacenamiento

Todos los componentes de los sistemas CleanAIR® deben almacenarse en lugares con temperaturas entre los 0 °C y los 40 °C, con una humedad relativa del aire de entre el 20 % y el 80 %. El período de almacenamiento en contenedores cerrados es de como máximo 2 años.

7. Garantía

La garantía por defectos de fabricación es de 12 meses desde la fecha de venta al cliente. Todas las reclamaciones deberán efectuarse ante la entidad vendedora y aportando el comprobante de venta (la factura o el albarán de entrega).

La garantía no cubre en particular los defectos causados por una sustitución tardía del filtro o por la utilización de un filtro dañado por la limpieza o el soplado.

8. Posibles errores

Si ocurriera algún error, por ejemplo un descenso o aumento súbito del suministro de aire, el usuario deberá salir del lugar de trabajo y comprobar:

- Que el equipo está montado correctamente.
- El estado del filtro en el CA Pressure Conditioner.
- Que la manguera de aire no está dañada.
- Que el silenciador de ruido en el CA Pressure / CA Pressure Flow Master / CA Pressure For Mask no está obstruido.
- Que el sello facial de la capucha de protección o de la máscara se encuentran en buenas condiciones.

EL EQUIPO NO PROPORCIONA UNA CANTIDAD DE AIRE SUFICIENTE	
Causa probable	Recomendación
La manguera de aire o el conducto de aire están bloqueados.	Compruebe y retire los posibles obstáculos.
El aire se escapa por alguna fuga.	Compruebe todos los elementos de sellado y las conexiones; compruebe que la manguera de aire no está dañada y que no hay fugas.
El silenciador de ruido está obstruido.	Reemplace el silenciador de ruido en el CA Pressure.
El filtro del CA Conditioner está obstruido.	Cambie el filtro por uno nuevo.

LA UNIDAD NO FUNCIONA EN ABSOLUTO	
Causa probable	Recomendación
Fallo en el suministro de aire comprimido. Daños en la manguera.	Compruebe la fuente de aire comprimido.
	Compruebe que las mangueras de conexión no están dañadas.
	Envíe el equipo a revisar a un servicio técnico autorizado.

9. Datos técnicos

CA Pressure	Pressure	Pressure Flow Master	Pressure For Mask
Flujo de aire mínimo	170 lpm	170 lpm	170 lpm
Flujo de aire máximo	400 lpm	250 lpm	400 lpm
Peso del equipo	250 g	280 g	630 g (incluyendo filtro)
Conexión de la toma de entrada	Compatible con la serie RECTUS 25, 26 y CEJN320		
Conexión de la toma de salida	CA40x1/7"		MINI DN 5
Nivel de ruido del equipo	61 dB	61 dB	61 dB
Talla de cintura	60 – 150 cm	60 – 150 cm	60 – 150 cm
Rango de presión de suministro	300 – 1000 kPa	400 – 1000 kPa	400 – 1000 kPa
Rango de temperaturas durante el funcionamiento	de +10 a +60 °C	de +10 a +60 °C	de +10 a +60 °C
Rango de humedad del aire en el lugar de trabajo	del 20 % al 80 % de HR	del 20 % al 80 % de HR	del 20 % al 80 % de HR
Certificados	EN 14594 Clase 2A	EN 14594 Clase 3B	EN 14594 Clase 4B

CleanAIR® Pressure Conditioner	
Flujo de aire máximo	500 lpm
Peso sin filtro	6300 g
Peso con filtro	6800 g
Conexión de la toma de entrada	Compatible con la serie RECTUS 25, 26 y CEJN320
Conexión de la toma de salida	Compatible con la serie RECTUS 25, 26 y CEJN320
Rango de temperaturas recomendado durante el trabajo	de +10 a +60 °C
Rango recomendado de humedad del aire en el lugar de trabajo	del 20 % al 80 % de HR
Certificados	Conforme a la norma EN 12021 ya que cumple los requisitos de TP-610050-1.

10. Aprobación, certificados

Los sistemas de líneas de aire comprimido CleanAIR® Pressure han sido sometidos a ensayos y cuentan con la aprobación de conformidad con los requisitos establecidos por la norma europea EN 14594:2005 para su uso tanto con las capuchas de protección CleanAIR® como con las máscaras de protección CleanAIR®. Todas las partes del sistema utilizadas deben estar aprobadas por el fabricante y deben utilizarse de conformidad con las instrucciones indicadas en este manual de usuario.

Autoridad notificada para los ensayos CE:

Výzkumný ústav bezpečnosti práce, v.v.i.
[Instituto de investigación de seguridad laboral] – ZL
Laboratorio de ensayo n° 1024, Jeruzalémská 9, 116 52 Praga 1
Authorized Body 235 | Notified Body 1024

11. Lista de recambios

CleanAIR® Pressure (Flow Master)	
Pedido n°:	Descripción:
63 00 00	CA Pressure + cinturón
67 00 00	CA Pressure Flow Master + cinturón de confort
61 00 30	Manguera estándar de 10 m para CAP
61 00 31	Manguera antiestática de 10 m para CAP
61 00 38	Manguera estándar de 25 m para CAP
61 00 39	Manguera estándar de 50 m para CAP
61 00 46	Manguera espiral de 10 m para CAP, mecánicamente resistente – modelo
63 00 10	Silenciador de ruido
70 00 60	Manguera flexible ligera CA40x1/7" – CA40x1/7"
70 00 86CA	Manguera de goma CA40x1/7" – CA40x1/7"
70 00 95	Cinturón CA Pressure de 155 cm
71 00 93	Cinturón acolchado de confort
72 00 93	Cinturón de piel de confort
70 00 90RD	Indicador de flujo de aire

CleanAIR® Pressure For Mask	
Pedido n°:	Descripción:
65 00 00PC	CA Pressure For Mask, juego completo con cinturón de confort
65 00 00PD	CA Pressure For Mask, juego completo con correa descontaminable
61 00 30	Manguera estándar de 10 m para CAP
61 00 31	Manguera antiestática de 10 m para CAP
61 00 38	Manguera estándar de 25 m para CAP
61 00 39	Manguera estándar de 50 m para CAP
61 00 46	Manguera espiral de 10 m para CAP, mecánicamente resistente – modelo
70 00 90RD	Indicador de flujo de aire
70 00 60	Manguera flexible ligera CA40x1/7" – CA40x1/7"
70 00 86CA	Manguera de goma CA40x1/7" – CA40x1/7"
50 02 48	Filtro P3, con dos roscas RD40x1/7"
50 02 68	Filtro A2B2E2K2P3, con dos roscas RD40x1/7"

CleanAIR® Pressure Conditioner	
Pedido n°:	Descripción:
61 00 50	CleanAIR® Pressure Conditioner
61 00 10	Filtro para CleanAIR® Pressure Conditioner
61 00 24	CleanAIR® Pressure Conditioner – aro de sellado de 139 x 3 mm
61 00 28	CleanAIR® Pressure Conditioner – aro de sellado de 30 x 4 mm

Tärkeää

Oman turvallisuutesi varmistamiseksi lue ja pidä mielessä seuraavat ohjeet ennen käyttöä. Jos sinulla on kysyttävää, ota yhteys valmistajaan tai jälleenmyyjäsi. Säilytä opas myöhempää tarvetta varten. Paineilmayksikköä tulee käyttää ainoastaan tässä oppaassa lueteltuihin tarkoituksiin.

1. Johdanto

CleanAIR® Pressure -paineilmajärjestelmät ovat henkilökohtaisia hengityssuojaimia, jotka tuottavat jatkuvaa ylipaineista ja suodatettua ilmaa hengitystilaan (jatkuvan ilmavirtauksen paineilmakäyttöiset hengityslaitteet). Ilma otetaan paineilmalähteestä (kompessori tai ilmalinja) ja syötetään CA Pressure- / CA Pressure Flow Master- / CA Pressure For Mask -järjestelmään, jolla voidaan säätää ilmaletkun kautta suojamaskiin tai päähineeseen syötetyn ilman virtausta. Ylipaine estää epäpuhtauksien pääsyn hengitystilaan. Samalla tämä lievä ylipaine takaa käyttömukavuuden myös pitkänä käyttäjäksi, koska käyttäjän ei tarvitse ponnistella hengityksessä suodattimen vastuksen voittamiseksi.

CleanAIR® Pressure -yksikön lisäksi molemmat yksiköt CleanAIR® Pressure Flow Master ja CleanAIR® Pressure For Mask on varustettu syöttöpaineen tarkistusta varten painemittarilla ja varoituspiillillä, joka varoittaa käyttäjää, jos syöttöpaine laskee käyttöpaineen alarajan alle. Suoraan kompressorista tai ilmalinjasta syötetyn ilman pitää olla hygienisesti puhdasta ja sen on täytettävä standardin EN 12021 vaatimukset. Jos ilma ei täytä näitä vaatimuksia, asenna CA Pressure Conditioner [CAP Conditioner] -yksikkö CA Pressure- / CA Pressure Flow Master- / CA Pressure For Mask -yksikön ja paineilmalähteen välille!

Ilma CA Pressure Conditioner -yksikön ulostulossa täyttää standardin EN 12021 vaatimukset, kun sitä käytetään luvussa 10 ilmoitetuissa lämpötilarajoissa ja kun kompressorista tuleva ilma täyttää luvun 1.1 vaatimukset. CAP Conditioner poistaa öljysumun, hajut ja maun. Suodatusasemaan voidaan liittää kaksi käyttäjää.

CAP Conditioner ei poista ilmasta hiilimonoksidia (CO) tai hiilidioksidia (CO₂)!

1.1. Kompressorista syötettävän paineilman vaatimukset

- CAP Conditioner voidaan kytkeä ainoastaan kompressorin, joka syöttää ilmaa happipitoisuudella 20–22 % tilavuudesta. Hiilidioksidipitoisuus ei saa ylittää arvoa 500 ppm eikä hiilimonoksidipitoisuus arvoa 15 ppm.
- Ilmassa olevan veden enimmäispitoisuus on 50 mg/m³ nimellispaineella 1–20 Mpa. Syötetyn ilman kosteutta on säädettävä yksikön jäätyksen estämiseksi.

2. Käytön rajoitukset

Ennen järjestelmän käyttämistä käyttäjän on tunnettava täysin työpaikalla olevat riskit ja tiedettävä täysin, kuinka henkilönsuojaimia käytetään turvallisesti. Jos asiasta ei olla varmoja, ota yhteys valmistajaan tai jälleenmyyjäsi. CleanAIR® Pressure -paineilmajärjestelmiä saa käyttää yksinomaan CleanAIR®-suojaapähineen tai Shigematsu GX02 -kokokasvonaamarin [CA Pressure For Mask] kanssa. Lue siksi tämä käyttöopas ja CleanAIR®-päähineiden käyttäjän opas tai Shigematsu GX02 -käyttöopas [CA Pressure For Mask].

Lue tämä opas huolellisesti ja noudata sen ohjeita!

- Käyttäjän on ymmärrettävä ohjeet täysin.
- Jos käyttäjän hengitys raskaan työn aikana kiihtyy voimakkaasti, kuvun sisäinen positiivinen paine voi laskea, mikä voi heikentää suojaustasoa.
- CleanAIR®-järjestelmässä ei saa räjähdysvaaran vuoksi käyttää happirikasta ilmaa ja happea.
- Järjestelmää saa käyttää ainoastaan ympäristöissä, joissa on vähäinen syöttöletkun vahingoittumisvaara ja jossa käyttäjän liikkumista ei ole rajoitettu.
- Jos CleanAIR®-laitteen lisäksi paineilman syöttöön on liitetty jokin toinen varuste (kuten paineilmapistooli), käyttäjän on varmistettava, että kupuun virtaa riittävästi ilmaa myös kyseisen varusteen suurimmalla ilman-kulutuksella.
- Jos yksikköä käytetään ympäristössä, jossa lämpötila on korkea, syöttöletkun pitää kestää sen vaikutukset.
- Yksikön käyttö räjähdysalttiissa ympäristössä on kielletty.
- Tarkista ennen yksikön käyttämistä, että ilmavirtaus on teknisissä arvoissa osoitettua vähimmäisarvoa korkeampi.
- Jos yksikkö lakkaa jostakin syystä toimimasta, käyttäjän on poistuttava välittömästi altistusalueelta.
- Kun yksikkö on yhdistetty hitsauskypärään, turvakypärään tai maskiin, sen käyttö ei ole suositeltavaa käyttäjille, joilla on parta tai pitkät, hengitystilaan ulottuvat hiukset.

- Ota huomioon, että syötetyn ilman CO₂-pitoisuus voi nousta, jos kompressori ei toimi oikein voiteluöljyn pa- laessa toisinaan korkean lämpötilan vuoksi.
- Syöttöilman paineen on oltava välillä 400–1 000 kPa.
- Ilmalähde on varustettava varoventtiilillä, joka takaa, ettei syöttöpaine ylitä.
- Painesyöttöletkut saa sijoittaa ainoastaan työpaikan alueille, joilla ne eivät voi vahingoittaa.
- Paineletkut yksiköille CA Pressure (Flow Master / For Mask) ja CAP Conditioner, tilausnumeroit 61 00 30 ja 61 00 46, eivät ole antistaattisia, ja ne kestävät vahingoittumatta enintään 70 °C lämpötilan.
- Paineilman jakelusta tai CAP Conditioner -yksiköstä tulevan paineilemälakun sallittu enimmäispituus on 10 met- riä. Tämä koskee ainoastaan tuoteyhdistelmiä, joiden suojaustaso on 1A–4A. Luokan 1B–4B tuoteyhdistelmien syöttöletkun pituutta ei ole rajoitettu.
- Suositeltu käyttölämpötila-alue on 10–40 °C. Tätä alhaisimmissa lämpötiloissa ilmansyötöllä varustetun suoja- päähineen tai maskin käyttö saattaa olla epämiellyttävää.
- Yksikössä CA Pressure (Flow Master / For Mask) on käytettävä standardin EN 12021 mukaista hengitettävää ilmaa.
- CA Pressure (Flow Master / For Mask) -yksikköön voidaan yhdistää oppaan kannen liitekuvassa esiteltyjä pääkappaleita. Kuvassa osoitetaan myös vastaavien yhdistelmien luokat.
- Pääkappaleiden tiedot löytyvät CA-pääkappaleiden käyttöohjeista.
- CA Pressure For Mask -yksikköä käytettäessä yksikön ja maskin välille on asetettava sopiva kaksoiskierre- suodatin 50 02 48 tai 50 02 68 (ympäristösaasteista riippuen). Se mahdollistaa turvallisen hengittämisen mahdollisen evakuoinnin aikana, jos paineilmalähde lakkaa toimimasta.

Tässä oppaassa ilmoitettujen periaatteiden laiminlyönti aiheuttaa takuun raukeamisen!

3. Purkaminen pakkauksesta / Kokoonpano / Käyttö ja toiminnot

3.1. CA Pressure -yksikön purkaminen pakkauksesta

Tarkista, että kaikki osat on toimitettu eikä kuljetuksen aikana ole syntynyt vaurioita.

Sisältö – CA Pressure (63 00 00), CA Pressure Flow Master (67 00 00):

CleanAIR® Pressure (Flow Master) -yksikkö	1 kpl
Yksikön vyö	1 kpl
Virtausmittari	1 kpl
Käyttöopas	1 kpl

Sisältö: CA Pressure For Mask (65 00 00):

CleanAIR® Pressure For Mask -yksikkö	1 kpl
Kaksoiskierteinen P3-suodatin	1 kpl
Yksikön vyö	1 kpl
Virtausmittari	1 kpl
Käyttöopas	1 kpl

Sisältö – CA Pressure Conditioner (61 00 50):

CA Pressure Conditioner -yksikkö	1 kpl
Teline	1 kpl
Yksikön kiinnitysruuvit telineeseen	2 kpl
Aluslevy	4 kpl
Käyttöopas	1 kpl

3.2. Kokoonpano – CAP Conditioner (61 00 50)

Kierrä säiliö (CAP Conditioner) alas telineeseen. Katso menetelmä liitekuvasta.

3.3. Kokoonpano – CA Pressure (Flow Master / For Mask)

- Tarkista, että kaikki osat ovat hyvässä kunnossa, ts. niissä ei ole näkyviä vaurioita.
- Liitä CAP Conditioner paineilman syöttöjärjestelmään tai suoraan kompressoriin. Jos CA Pressure Conditioner -yksikköä ei käytetä, paineilman syöttö liitetään suoraan CA Pressure (Flow Master / For Mask) -yksikköön.
- Kiinnitä yksikkö vyöhön ja liitä paineilemälakku.
- Kytke paineiletku pikaliittimellä paineilmalähteestä CA Pressure-yksikköön.

4. Ennen käyttöä

4.1. Tarkista ennen käyttöä

Tarkista ennen jokaista käyttökertaa:

- ettei yksittäisissä osissa, erityisesti ilmaletkussa ja tiivistyselementeissä, ole näkyviä vaurioita
- että letku on kiinnitetty oikein yksikköön ja pääkappaleen liittimeen
- että jakeluajärjestelmän ilmanpaine on välillä 400–1 000 kPa sekä CA Pressure Flow Master- että For Mask -yksikössä ja 300–1 000 kPa CA Pressure -yksikössä
- ilmanvirtaus on kohdan 4.2 mukainen – alhaisin sallittu virtaus on 170 lpm
- että ilmaa syötetään pääkappaleesta.

4.2. Ilmanvirtauksen testaaminen (CA Pressure / CA Pressure Flow Master / CA Pressure For Mask)

Kaikki CA Pressure -yksiköt on säädetty 170 lpm:n virtaukselle. Mittaa ilmanvirtaus virtausmittarin mukana tule- vien käyttöohjeiden mukaisesti. Jos ilmanvirtaus poikkeaa tästä, toimi seuraavasti:

1. Paina nupista, jolloin kuulet naksahduksen [katso liitekuva].
2. Säädä optimaalinen ilmanvirtaus kiertämällä nuppia vastapäivään [katso liitekuva]. Tarkista ilmanvirtaus liit- tämällä virtausmittari.
3. Paina nuppia, jolloin kuulet naksahduksen [katso liitekuva].

VAROITUS! Ilmanvirtaus ei saa laskea alle 160 lpm!

5. Hoito ja puhdistus

CA Pressure / CA Pressure Flow Master / CA Pressure For Mask

Aina työn päätyttyä on suositeltavaa puhdistaa CA Pressure-yksikkö, tarkastaa yksittäiset osat ja vaihtaa vahin- goittuneet osat.

- Puhdistus on suoritettava hyvin tuuletetussa huoneessa. Vältä hengittämästä haitallista pölyä, jota on kerty- nyt laitteen yksittäisiin osiin ja lisävarusteisiin!
- Liuotinaineita tai hankaavia aineita sisältävien puhdistusaineiden käyttö on kielletty. Käytä mielellään yleisiä puhdistusaineita.
- Ilmaletku voidaan huuhdella puhtaalla vedellä.
- Puhdista kostealla liinalla. Puhdistuksen jälkeen kaikki osat on kuivattava pyyhkimällä.

CA Pressure Conditioner

- Kerran viikossa tyhjennä kondensaattisäiliön pohjasta alapuolella olevan tyhjennysventtiilin kautta. Ennen tätä irrota yksikkö paineilmansyötöstä.
- Vaihda suodatin vähintään kerran kuukauden välein. Tämä ajan jälkeen virukset ja bakteerit voivat lisään- tyä yksikön suodattimessa, ja säännöllisesti käytettynä hajuja poistavan aktiivihilien imukyky voi loppua [jos CA Pressure Conditioner -yksiköstä ulostulevassa ilmassa tuntuu minkäänlaista hajua, vaihda suodatin välittömästi].
- Suodatinta vaihdettaessa puhdista säiliön sisäosa kuivalla liinalla ja yleisellä puhdistusaineella.

CAP Conditioner -suodattimen vaihtaminen [katso liitekuva]

- Kierrä auki CAP Conditioner -säiliön yläosa [6 sisäruuvia].
- Poista likainen suodatin ja pyyhi säiliön sisäpuoli.
- Tarkista yläkannessa olevan kumitiivisteen kunto. Jos tiiviste on vahingoittunut, vaihda se.
- Asenna uusi suodatin, kiinnitä säiliön kansi ja kierrä ruuvit kiinni.
- Tarkista säiliö vuotojen varalta. Jos säiliö ei ole täysin tiukka, kiristä kaikki ruuvit siten, että yläkansi kiinnittyy.

6. Säilytys

Kaikki CleanAIR®-järjestelmän osat on säilytettävä huonetilassa, jonka lämpötila on 0–40 °C ja ilman suhteellinen kosteus 20–80 %. Säilytysaika suljetussa säiliössä on enintään 2 vuotta..

7. Takuu

Valmistusvikojen takuu on 12 kuukautta myyntipäivästä asiakkaalle. Myyntiorganisaation on täytettävä takuuvuode ja mukana on lähetettävä ostotodiste (lasku tai toimituskuitti). Takuu ei kata erityisiä vikoja, jotka johtuvat suodattimen myöhäisestä vaihtamisesta tai puhdistuksessa tai puhaltamalla vahingoittuneen suodattimen käytöstä.

8. Mahdollisia vikoja

Vian ilmetessä, kuten jos ilmansyöttö äkillisesti laskee tai nousee, käyttäjän on ensin poistuttava työpaikalta ja siltentarkistettava seuraavat seikat:

- Yksikkö on koottu oikein.
- Suodattimen kunto CA Pressure Conditioner -yksikössä.
- Ilmaletku ei ole vaurioitunut.
- Äänenvaimennin yksiköissä CA Pressure / CA Pressure Flow Master / CA Pressure For Mask ei ole tukossa.
- Suojapäähineen tai maskin kasvotiiviste on hyvässä kunnossa..

LAITE EI SYÖTÄ RIITTÄVÄSTI ILMAA	
Mahdollinen syy	Suositus
Ilmaletku tai ilmanava on tukossa.	Tarkista ja poista mahdollinen tukos.
Ilmaa vuotaa.	Tarkista kaikki tiivistys-elementit ja liittännät. Tarkista, ettei letku ole vaurioitunut eikä vuoda.
Äänenvaimennin on tukossa.	Vaihda CA Pressure -yksikön äänenvaimennin.
CA Conditioner -yksikön suodatinta on tukossa.	Vaihda suodatinta.

YKSIKKÖ EI TOIMI LAINKAAN	
Mahdollinen syy	Suositus
Vika paineilman syötössä. Vahingoittunut letku.	Tarkista paineilmalähde.
	Tarkista, etteivät liittämälätkut ole vahingoittuneet.
	Lähetä yksikkö valtuutettuun huoltoon.

9. Tekniset tiedot

CA Pressure	Pressure	Pressure Flow Master	Pressure For Mask
Vähimmäisilmavirta	170 lpm	170 lpm	170 lpm
Enimmäisilmavirta	400 lpm	250 lpm	400 lpm
Yksikön paino	250 g	280 g	630 g (sis. suodatinta)
Sisääntuloliitäntä	Yhteensopiva RECTUS-sarjan 25, 26 ja CEJN320 kanssa		
Ulostuloliitäntä	CA40x1/7"		MINI DN 5
Yksikön melutaso	61 dB	61 dB	61 dB
Vyötärön koko	60–150 cm	60–150 cm	60–150 cm
Syöttöpainealue	300–1 000 kPa	400–1 000 kPa	400–1 000 kPa
Työalueen lämpötila	+10...+60 °C	+10...+60 °C	+10...+60 °C
Työalueen suhteellinen kosteus	20 % – 80 % suht. kost.	20 % – 80 % suht. kost.	20 % – 80 % suht. kost.
Sertifiointi	EN 14594 Luokka 2A	EN 14594 Luokka 3B	EN 14594 Luokka 4B

CleanAIR® Pressure Conditioner	
Enimmäisilmavirta	500 lpm
Paino ilman suodatinta	6 300 g
Paino suodattimen kanssa	6 800 g
Sisääntuloliitäntä	Yhteensopiva RECTUS-sarjan 25, 26 ja CEJN320 kanssa.
Ulostuloliitäntä	Yhteensopiva RECTUS-sarjan 25, 26 ja CEJN320 kanssa.
Suosittelun työalueen lämpötila	+10...+60 °C
Suosittelun työalueen ilman suhteellinen kosteus	20 % – 80 % suht. kost.
Sertifiointi	Täyttää standardin EN 12021 vaatimukset TP-610050-1.

10. Hyväksyntä, sertifiointi

CleanAIR® Pressure -paineilmajärjestelmät on testattu ja hyväksytty Euroopan standardin EN 14594:2005 vaatimusten mukaisesti käytettäväksi joko CleanAIR®-suojapäähineen tai CleanAIR®-suojamaskin kanssa. Kaikki käytetyn järjestelmän osat on hyväksyttävä valmistajalla ja niitä on käytettävä tämän käyttöoppaan ohjeiden mukaisesti.

CE-testin ilmoitettu taho:

Výzkumný ústav bezpečnosti práce, v.v.i. – ZL
Testing Laboratory No. 1024, Jeruzalémská 9, 116 52 Praha 1
Authorized Body 235 | Notified Body 1024

11. Varaosaluettelo

CleanAIR® Pressure (Flow Master)	
Tilausnumero:	Kuvaus:
63 00 00	CA Pressure + vyö
67 00 00	CA Pressure Flow Master + mukavuusvyö
61 00 30	Vakioletku 10 m CAP:lle
61 00 31	Antistaattinen letku 10 m CAP:lle
61 00 38	Vakioletku 25 m CAP:lle
61 00 39	Vakioletku 50 m CAP:lle
61 00 46	Kierretletku 10 m CAP:lle, mekaanisen rasituksen kestävä – malli
63 00 10	Äänenvaimennin
70 00 60	Kevyt taipuisa letku CA40x1/7" – CA40x1/7"
70 00 86CA	Kumiletku CA40x1/7" – CA40x1/7"
70 00 95	Vyö CA Pressure 155 cm
71 00 93	Pehmustettu mukavuusvyö
72 00 93	Nahkainen mukavuusvyö
70 00 90RD	Virtausmittari

CleanAIR® Pressure For Mask	
Tilausnumero:	Kuvaus:
65 00 00PC	CA Pressure For Mask, täydellinen mukavuutta vyö
65 00 00PC	CA Pressure For Mask, settiin decontaminable vyö
61 00 30	Vakioletku 10 m CAP:lle
61 00 31	Antistaattinen letku 10 m CAP:lle
61 00 38	Vakioletku 25 m CAP:lle
61 00 39	Vakioletku 50 m CAP:lle
61 00 46	Kierretletku 10 m CAP:lle, mekaanisen rasituksen kestävä – malli
70 00 90RD	Virtausmittari
70 00 60	Kevyt taipuisa letku CA40x1/7" – CA40x1/7"
70 00 86CA	Kumiletku CA40x1/7" – CA40x1/7"
50 02 48	Suodatin P3, kaksoiskierteellä RD40x1/7"
50 02 68	Suodatin A2B2E2K2P3, kaksoiskierteellä RD40x1/7"

CleanAIR® Pressure Conditioner	
Tilausnumero:	Kuvaus:
61 00 50	CleanAIR® Pressure Conditioner
61 00 10	Suodatin CleanAIR® Pressure Conditioner
61 00 24	CleanAIR® Pressure Conditioner – O-tiivistysrengas 139x3 mm
61 00 28	CleanAIR® Pressure Conditioner – O-tiivistysrengas 30x4 mm

Important

Veillez lire et mémoriser les instructions suivantes avant tout usage afin d'assurer votre propre sécurité. En cas de questions, veuillez contacter le fabricant ou votre distributeur.

Conservez le manuel pour vous y référer dans le futur. L'unité de compression d'air ne doit être utilisée qu'aux seules fins mentionnées dans le présent manuel.

1. Introduction

Les systèmes d'adduction d'air comprimé CleanAIR® Pressure sont des systèmes de protection respiratoire personnelle basés sur le principe de surpression d'air filtré alimenté en permanence dans la zone de respiration (appareils de protection respiratoire avec adduction continue d'air comprimé). L'air est alimenté par une source d'air comprimé (compresseur ou système d'adduction d'air) et fourni au système CA Pressure / CA Pressure Flow Master / CA Pressure For Mask, ce qui permet de réguler le flux d'air acheminé via une conduite d'air dans un masque ou une cagoule de protection. La surpression empêche les produits contaminants d'entrer dans la zone de respiration. Cette légère surpression assure en même temps le confort du porteur, même au cours d'une utilisation prolongée, car cela évite que le porteur ne doive faire des efforts pour respirer malgré la résistance du filtre.

CleanAIR® Pressure n'est pas le seul système équipé d'une jauge de pression pour contrôler la pression d'entrée et d'un sifflet d'alarme, les deux unités CleanAIR® Pressure Flow Master et CleanAIR® Pressure For Mask sont livrées avec la même fonction, qui avertit l'utilisateur si la pression d'entrée tombe sous le seuil inférieur de la pression de service minimale. L'air fourni directement depuis le compresseur ou le système d'adduction d'air doit être maintenu en état de propreté hygiénique et doit respecter la norme EN 12021. Si l'air ne respecte pas cette exigence, installez le CA Pressure Conditioner (CAP Conditioner) entre le CA Pressure / CA Pressure Flow Master / CA Pressure For Mask et la source d'air comprimé !

La qualité de l'air à la sortie du CA Pressure Conditioner respecte la norme EN 12021 s'il est utilisé dans la plage de température définie au Chapitre 10 et si l'air fourni par le compresseur respecte les exigences du Chapitre 1.1. Le CAP Conditioner élimine l'humidité, les odeurs et les goûts. Il peut y avoir deux utilisateurs raccordés à la station de filtrage.

Le CAP Conditioner n'élimine pas le monoxyde (CO) ou le dioxyde (CO₂) de carbone de l'air !!!

1.1. Spécifications de l'air comprimé fourni par le compresseur

- Le CAP Conditioner ne peut être raccordé au compresseur qui fournit de l'air qu'à une concentration d'oxygène de 20 % à 22 % vol. La concentration de dioxyde de carbone ne peut dépasser 500 ppm et celle du monoxyde de carbone ne peut dépasser 15 ppm.
- La concentration maximale d'eau dans l'air est de 50 mg/m³ à la pression nominale de 1 à 20 MPa. L'humidité de l'air fourni doit être contrôlée afin d'empêcher l'unité de geler.

2. Précautions d'utilisation

Avant d'utiliser le système, l'utilisateur doit se familiariser pleinement avec les risques potentiels sur le lieu de travail, et être pleinement informé sur l'utilisation correcte des équipements de protection personnelle. En cas de doute, veuillez contacter le fabricant ou votre distributeur local. Les systèmes d'adduction d'air comprimé CleanAIR® Pressure doivent être utilisés exclusivement avec des cagoules de protection CleanAIR® ou le masque facial complet Shigematsu GX02 (CA Pressure For Mask). Par conséquent, lisez ce manuel en conjonction avec le mode d'emploi des cagoules CleanAIR® ou du mode d'emploi du Shigematsu GX02 (CA Pressure For Mask).

Lisez ce manuel attentivement et suivez ses instructions !

- L'utilisateur doit comprendre entièrement les instructions.
- Lors d'un travail ardu, si la respiration de l'utilisateur devient trop intense, la pression positive à l'intérieur de la cagoule peut tomber et entraîner une protection réduite.
- L'utilisation de l'air enrichi en oxygène et de l'oxygène est interdite dans le système CleanAIR® en raison du risque d'explosion.

- Le système ne peut être utilisé que dans des environnements dans lesquels les risques de dommages aux conduites d'alimentation sont faibles et où les mouvements de l'utilisateur ne sont pas restreints.
- Si, en sus du CleanAIR®, un autre accessoire (p. ex. pistolet vaporisateur) est raccordé à l'alimentation en air comprimé, l'utilisateur doit vérifier que la cagoule bénéficie d'un flux d'air suffisant même lors d'une consommation maximale par cet accessoire.
- Si l'unité est utilisée dans des environnements sous haute température, la conduite d'approvisionnement doit être résistante aux effets de celle-ci.
- Il est interdit d'utiliser l'unité dans des environnements explosifs.
- Avant toute utilisation de l'unité, vérifiez que le débit d'air est plus élevé que la valeur minimale spécifiée dans les paramètres techniques.
- Si l'unité s'arrête de fournir de l'air pour une raison quelconque, l'utilisateur doit quitter la zone contaminée immédiatement.
- Lorsque l'unité est associée à un casque de soudure, un casque de sécurité ou un masque, son usage n'est pas recommandé pour les utilisateurs portant une barbe ou une chevelure dépassant la zone respiratoire.
- Faites attention aux concentrations en CO₂ dans l'alimentation en air, qui peut se produire si le compresseur ne fonctionne pas correctement lorsque l'huile de lubrification brûle parfois du fait des températures élevées.
- La pression de l'alimentation en air doit être comprise entre 400 et 1 000 kPa.
- La source d'air doit être équipée d'une vanne de sécurité pour garantir que la pression d'entrée ne sera pas dépassée.
- Les conduites d'alimentation sous pression ne peuvent être localisées que dans des zones de travail où elles ne peuvent être endommagées.
- Les tuyaux sous pression pour CA Pressure (Flow Master / For Mask) et CAP Conditioner, numéro de commande 61 00 30 et 61 00 46, ne sont pas antistatiques et la température maximale à laquelle ils peuvent résister sans dommage est de 70 °C.
- La longueur maximale du tuyau sous pression allant de la distribution d'air comprimé ou du CAP Conditioner vers l'unité ne doit pas dépasser 10 m ; ceci ne s'applique qu'aux combinaisons de produits comportant un niveau de protection de 1A - 4A. Pour les combinaisons de produits de la classe 1B - 4B, la longueur du tuyau d'alimentation n'est pas limitée.
- La plage de température recommandée pour l'utilisation est de 10 – 40 °C ; aux températures inférieures, l'utilisation d'une cagoule ou d'un masque de protection avec une alimentation d'air peut devenir désagréable.
- Pour le CA Pressure (Flow Master / For Mask), il faut fournir de l'air respirable conformément à la norme EN 12021.
- Le CA Pressure (Flow Master / For Mask) peut être combiné avec les types d'accessoires pour la tête figurant dans l'annexe illustrée sur la couverture du manuel. Celle-ci indique également les classes des combinaisons respectives.
- Les informations sur les accessoires pour la tête sont fournies dans les instructions sur l'utilisation des accessoires de tête CA.
- Si vous utilisez un CA Pressure For Mask, vous devez placer un filtre à deux filetages approprié 50 02 48 ou 50 02 68 (en fonction des contaminants environnants) entre l'unité et le masque. Ce concept vous permettra de respirer en toute sécurité lors d'une évacuation si la source de pression s'arrête de fonctionner.

Si l'un des principes mentionné dans le présent manuel n'est pas respecté, la garantie devient nulle !

3. Déballage / assemblage / utilisation et fonctions

3.1. Déballage du CA Pressure

Vérifiez que la livraison est complète et qu'aucun dommage ne s'est produit pendant le transport.

Contenu de CA Pressure (63 00 00), CA Pressure Flow Master (67 00 00) :

Unité CleanAIR® Pressure (Flow Master)	1 pc
Ceinture pour l'unité	1 pc
Indicateur de débit	1 pc
Mode d'emploi	1 pc

Contenu du CA Pressure For Mask (65 00 00) :

Unité CleanAIR® Pressure For Mask	1 pc
FiltreP3 deux filetages	1 pc
Ceinture pour l'unité	1 pc
Indicateur de débit d'air	1 pc
Mode d'emploi	1 pc

Contenu de CA Pressure Conditioner (61 00 50) :

Unité CA Pressure Conditioner	1 pc
Support	1 pc
Vis pour fixer l'unité au support	2 pcs
joint	4 pcs
Instruction d'utilisation	1 pc

3.2. Déballage du CAP Conditioner (61 00 50)

Vissez le conteneur [CAP Conditioner] sur le support ; pour la procédure, voir l'illustration figurant dans l'annexe.

3.3. Assemblage – CA Pressure (Flow Master / For Mask)

- Vérifiez que tous les composants sont en bon état, c'est-à-dire sans dommage apparent.
- Raccordez le CAP Conditioner au système de distribution d'air comprimé ou directement à un compresseur. Si le CA Pressure Conditioner n'est pas utilisé, l'alimentation en air comprimé est raccordée directement au CA Pressure (Flow Master / For Mask).
- Fixez l'unité sur votre ceinture et raccordez-y le tuyau sous pression.
- À l'aide du couplage rapide, raccordez le tuyau sous pression de la source d'air comprimé à l'unité CA Pressure.

4. Avant utilisation

4.1. Vérifications avant utilisation

Vérifiez avant chaque utilisation :

- que les pièces individuelles, en particulier la conduite d'air et les éléments de scellages, sont exempts de tout dommage apparent,
- que la conduite est correctement fixée sur l'unité et au raccord de l'accessoire de tête,
- que la pression de l'air dans le système de distribution est comprise entre 400 et 1 000 kPa pour le CA Pressure Flow Master et pour le masque, ou dans une plage de 300 à 1 000 kPa dans le cas de l'unité CA Pressure,
- le débit d'air selon le chapitre 4.2 – le débit le plus faible autorisé est de 170 lpm ;
- que de l'air est fourni par l'accessoire pour la tête.

4.2. Test de débit d'air [CA Pressure / CA Pressure Flow Master / CA Pressure For Mask]

Toutes les unités CA Pressure sont pré-réglées sur un débit d'air de 170 lpm. Lorsque vous mesurez le débit d'air, suivez les instructions dans le manuel inclus avec l'indicateur de débit. Si le débit d'air est différent, procédez comme suit :

1. Tirez le bouton de commande, de façon à entendre un clic (voir l'annexe illustrée).
2. Afin de régler le débit d'air optimal, faites pivoter le bouton de commande en sens antihoraire (voir annexe illustrée). Afin de vérifier le débit d'air, vous pouvez raccorder l'indicateur de débit.
3. Poussez le bouton de commande, de façon à entendre un clic (voir l'annexe illustrée).

ATTENTION ! Le débit d'air ne doit pas tomber sous 160 lpm !

5. Maintenance et nettoyage

CA Pressure / CA Pressure Flow Master / CA Pressure For Mask

Chaque fois que vous terminez un travail, il est recommandé de nettoyer l'unité CA Pressure, afin d'inspecter les pièces individuelles et de remplacer celles qui sont endommagées.

- Le nettoyage doit être effectué dans une pièce bien ventilée. Évitez d'inhaler de la poussière déposée sur les pièces individuelles de l'unité et des accessoires !
- Il est interdit d'utiliser des agents de nettoyage contenant des solvants ou des produits abrasifs. Les détergents communs sont recommandés.
- La conduite d'air doit être rincée à l'eau propre.
- Utilisez un chiffon humide pour le nettoyage. Chaque pièce doit être essuyée après le nettoyage.

CA Pressure Conditioner

- Une fois par semaine, purgez le condensat au fond du récipient à l'aide de la vanne de purge située sur le côté du fond. Avant cette opération, il est recommandé de débrancher l'unité d'alimentation en air comprimé.
- Remplacez le filtre au moins une fois tous les trois mois. Après cette période, des virus et des bactéries peuvent proliférer dans le filtre de l'unité et, en cas d'usage régulier, la capacité d'adsorption du charbon actif

éliminant les odeurs pourrait être épuisée (si l'air quittant le CA Pressure Conditioner a une odeur quelconque, remplacez le filtre immédiatement).

- Lorsque vous remplacez le filtre, nettoyez la partie intérieure du récipient avec un chiffon sec et du détergent ordinaire.

Remplacement du filtre du CAP Conditioner (voir l'annexe illustrée)

- Dévissez la partie supérieure du récipient du CAP Conditioner (6 vis hexagonales).
- Retirez le filtre contaminé, essuyez l'intérieur du récipient.
- Vérifiez la condition du joint de caoutchouc sur le couvercle supérieur. Si le joint est endommagé, remplacez-le.
- Installez un nouveau filtre, placez le couvercle du récipient dessus et revissez-le.
- Vérifiez la présence de fuites dans le récipient. Si le récipient n'est pas absolument étanche, resserrez toutes les vis qui fixent le couvercle supérieur.

6. Stockage

Tous les composants des systèmes CleanAIR® doivent être stockés dans des pièces dont la température est comprise entre 0 °C et 40 °C, avec une humidité relative de l'air entre 20 % et 80 %. La durée de stockage dans des récipients fermés est au maximum de 2 ans.

7. Garantie

La garantie pour les défauts de fabrication est de 12 mois à compter de la date de la vente au client. Une réclamation doit être déposée auprès de l'organisation de ventes, en soumettant une preuve de la date de vente (facture ou bon de livraison).

La garantie ne couvre pas en particulier des défauts causés par un remplacement tardif du filtre ou par l'utilisation d'un filtre endommagé par le nettoyage ou le soufflage.

8. Défaillances possibles

Si une défaillance se produit, par exemple une diminution ou augmentation soudaine de l'alimentation en air, l'utilisateur doit impérativement quitter le lieu de travail, puis vérifier les points suivants :

- Que l'unité est correctement assemblée.
- La condition du filtre dans le CA Pressure Conditioner.
- Que la conduite d'air n'est pas endommagée.
- Que le silencieux du CA Pressure / CA Pressure Flow Master / CA Pressure For Mask n'est pas obstrué.
- Que le joint facial sur la cagoule protectrice ou le masque est en bon état.

L'UNITÉ NE FOURNIT PAS UNE QUANTITÉ SUFFISANTE D'AIR	
Cause probable	Recommandation
Flexible ou conduite d'air bloqué.	Inspectez et retirez les obstacles éventuels.
Pertes d'air par fuites.	Vérifiez tous les éléments d'étanchéité et les raccordements ; vérifiez que la conduite d'air n'est pas endommagée et qu'elle est exempte de fuites.
Le silencieux est obstrué.	Remplacez le silencieux du CA Pressure.
Le filtre du CA Conditioner est obstrué.	Remplacez le filtre.

L'UNITÉ NE FONCTIONNE PAS DU TOUT	
Cause probable	Recommandation
Défaillance de l'alimentation en air. Dommage sur les flexibles.	Vérifiez la source d'air comprimé.
	Vérifiez que les conduits de raccordement ne sont pas endommagés.
	Envoyez l'unité pour une maintenance autorisée.

9. Données techniques

CA Pressure	Pressure	Pressure Flow Master	Pressure For Mask
Débit d'air minimum	170 lpm	170 lpm	170 lpm
Débit d'air maximal	400 lpm	250 lpm	400 lpm
Poids de l'unité	250 g	280 g	630 g (filtre inclus)
Raccord d'entrée	Compatible avec RECTUS series 25, 26 et CEJN320		
Raccord de sortie	CA 40 x 1/7"		MINI DN 5
Niveau sonore de l'unité	61 dB	61 dB	61 dB
Dimension de la taille	60 – 150 cm	60 – 150 cm	60 – 150 cm
Plage de pression de l'alimentation	300 – 1 000 kPa	400 – 1 000 kPa	400 – 1 000 kPa
Plage de température au travail	+10 à +60 °C	+10 à +60 °C	+10 à +60 °C
Plage d'humidité de l'air sur le lieu de travail	20 % à 80 % HR	20 % à 80 % HR	20 % à 80 % HR
Certification	EN 14594 Classe 2A	EN 14594 Classe 3B	EN 14594 Classe 4B

CleanAIR® Pressure Conditioner	
Débit d'air maximal	500 lpm
Poids sans filtre	6 300 g
Poids filtre inclus	6 800 g
Raccord d'entrée	Compatible avec RECTUS series 25, 26 et CEJN320.
Raccord de sortie	Compatible avec RECTUS series 25, 26 et CEJN320.
Plage de température recommandée au travail	+10 à +60 °C
Plage d'humidité de l'air recommandée sur le lieu de travail	20 % à 80 % HR
Certification	Conforme à la norme EN 12021, à condition que les exigences de TP-610050-1 soient respectées.

10. Approbation, certification

Les systèmes d'adduction d'air comprimé CleanAIR® Pressure sont testés et approuvés en conformité avec les exigences de la norme européenne EN 14594:2005 pour l'utilisation avec des cagoules protectrices CleanAIR® ou des masques de protection CleanAIR®. Toutes les pièces du système utilisées doivent être approuvées par le fabricant et utilisées conformément aux instructions mentionnées ici dans le présent manuel.

Notified Body pour les tests CE :

Výzkumný ústav bezpečnosti práce, v.v.i. – ZL
Laboratoire de test No. 1024, Jeruzalémská 9, 116 52 Prague 1
Authorized Body 235 | Notified Body 1024

11. Liste des pièces détachées

CleanAIR® Pressure [Flow Master]	
N° de commande :	Description :
63 00 00	CA Pressure + ceinture
67 00 00	CA Pressure Flow Master + ceinture de confort
61 00 30	Tuyau standard de 10 m pour CAP
61 00 31	Tuyau antistatique de 10 m pour CAP
61 00 38	Tuyau standard de 25 m pour CAP
61 00 39	Tuyau standard de 50 m pour CAP
61 00 46	Tuyau en spirale de 10 m pour CAP, résistant mécaniquement – mod.
63 00 10	Silencieux
70 00 60	Tuyau flexible léger CA 40 x 1/7" – CA 40 x 1/7"
70 00 86CA	Tuyau de caoutchouc CA 40 x 1/7" – CA 40 x 1/7"
70 00 95	Ceinture pour CA Pressure 155 cm
71 00 93	Ceinture de confort rembourrée
72 00 93	Ceinture de confort en cuir
70 00 90RD	Indicateur de débit d'air

CleanAIR® Pressure For Mask	
N° de commande :	Description :
65 00 00PC	CA Pressure For Mask, ensemble complet avec ceinture confort
65 00 00PD	CA Pressure For Mask, ensemble complet avec courroie décontaminable
61 00 30	Tuyau standard de 10 m pour CAP
61 00 31	Tuyau antistatique de 10 m pour CAP
61 00 38	Tuyau standard de 25 m pour CAP
61 00 39	Tuyau standard de 50 m pour CAP
61 00 46	Tuyau en spirale de 10 m pour CAP, résistant mécaniquement – mod.
70 00 90RD	Indicateur de débit d'air
70 00 60	Tuyau flexible léger CA 40 x 1/7" – CA 40 x 1/7"
70 00 86CA	Tuyau de caoutchouc CA 40 x 1/7" – CA 40 x 1/7"
50 02 48	Filtre P3, avec deux filetages RD 40 x 1/7"
50 02 68	Filtre A2B2E2K2P3, avec deux filetages RD 40 x 1/7"

CleanAIR® Pressure Conditioner	
N° de commande :	Description :
61 00 50	CleanAIR® Pressure Conditioner
61 00 10	Filtre CleanAIR® Pressure Conditioner
61 00 24	CleanAIR® Pressure Conditioner – joint torique d'étanchéité 139 x 3 mm
61 00 28	CleanAIR® Pressure Conditioner – joint torique d'étanchéité 30 x 4 mm

Wichtig

Bitte lesen und merken Sie sich vor Gebrauch die folgenden Anweisungen, um Ihre eigene Sicherheit zu gewährleisten. Wenn Sie Fragen haben, kontaktieren Sie bitte den Hersteller oder Ihren Händler. Bewahren Sie das Handbuch für eine zukünftige Referenz auf. Das Druckluftgerät darf nur für den in diesem Handbuch aufgeführten Zweck verwendet werden.

1. Einleitung

Druckluft-Schlauchgeräte CleanAIR® Pressure sind Systeme für den persönlichen Atemschutz, die auf dem Prinzip des Überdrucks durch konstant in die Atemzone eingeführte gefilterte Luft basieren (Druckluft-Schlauchgeräte mit kontinuierlichem Luftstrom). Die Luft wird einer Druckluftquelle (Kompressor oder Luftschlauchsystem) entnommen und dem CA Pressure / CA Pressure Flow Master / CA Pressure For Mask Gerät zugeführt. Dadurch kann der Luftstrom über einen Luftschlauch geregelt und in eine Schutzmaske oder -haube geleitet werden. Der Überdruck verhindert das Eindringen von Verunreinigungen in die Atemzone. Gleichzeitig stellt dieser schwache Überdruck ein bequemes Tragen sicher (selbst bei langer Anwendung), da der Träger keine Atemschwierigkeiten hat, um den Widerstand des Filters zu überwinden.

CleanAIR® Pressure ist nicht das einzige Gerät das mit einem Druckmessgerät für die Überprüfung des aktuellen Eingangsdrucks und einer Warnpfeife ausgerüstet ist. Die beiden Geräte CleanAIR® Pressure Flow Master und CleanAIR® Pressure For Mask besitzen die gleichen Funktionen, die den Anwender warnen, wenn der Eingangsdruck unter den unteren Grenzwert des Betriebsdrucks fällt. Die direkt vom Kompressor oder Luftschlauchsystem eingeleitete Luft muss hygienisch rein sein und der Norm EN 12021 entsprechen. Wenn die Luft nicht dieser Anforderung entspricht, installieren Sie den CA Pressure Conditioner (CAP Conditioner) zwischen dem CA Pressure / CA Pressure Flow Master / CA Pressure For Mask und der Druckluftquelle.

Die Qualität der Luft am Ausgang des CA Pressure Conditioner entspricht EN 12021, wenn das Gerät in dem Temperaturbereich verwendet wird, der in Kapitel 10 angegeben ist. Die Luft aus dem Kompressor muss den Anforderungen in Kapitel 1.1 entsprechen. Der CAP Conditioner entfernt Ölnebel, Gerüche und Aromen. Es können zwei Anwender an die Filterstation angeschlossen sein.

Der CAP Conditioner entfernt kein Kohlenmonoxid (CO) oder Kohlendioxid (CO₂) aus der Luft.

1.1 Anforderungen an die vom Kompressor eingeleitete Druckluft

- Der CAP Conditioner kann nur an einen Kompressor angeschlossen werden, der Luft mit einer Konzentration von 20 bis 22 Vol.-% Sauerstoff liefert. Dabei darf die Kohlenstoffdioxidkonzentration 500 ppm nicht überschreiten. Für Kohlenstoffmonoxid gilt eine maximale Konzentration von 15 ppm.
- Die maximale Wasserkonzentration in der Luft darf bei einem Nenndruck von 1 bis 20 MPa 50 mg/m³ betragen. Die Feuchte der eingeleiteten Luft muss kontrolliert werden, um ein Einfrieren des Geräts zu verhindern.

2. Gebrauchseinschränkungen

Vor Gebrauch des Geräts muss der Anwender alle möglichen Risiken am Arbeitsplatz genau kennen und vollständig über die sichere Verwendung der persönlichen Schutzausrüstung informiert sein. Kontaktieren Sie im Zweifelsfall den Hersteller oder Ihren Händler vor Ort. Die Druckluft-Schlauchgeräte CleanAIR® Pressure dürfen ausschließlich mit CleanAIR® Schutzhauben oder der Vollgesichtsmaske Shigematsu GX02 [CA Pressure For Mask] verwendet werden. Lesen Sie daher dieses Handbuch zusammen mit dem Benutzerhandbuch für CleanAIR® Hauben oder dem Benutzerhandbuch der Shigematsu GX02 [CA Pressure For Mask].

Lesen Sie dieses Handbuch sorgfältig und folgen Sie den Anweisungen!

- Der Anwender muss die Anweisungen vollständig verstehen.
- Wenn die Atmung des Anwenders bei anstrengender Arbeit zu intensiv wird, könnte der Überdruck innerhalb der Haube sinken und so den Schutzfaktor verringern.
- Die Anwendung von sauerstoffangereicherter Luft und reinem Sauerstoff im CleanAIR® System ist aufgrund der Explosionsgefahr verboten.
- Das Gerät darf nur in Umgebungen mit einer geringen Wahrscheinlichkeit für Beschädigungen des Zufuhrschlauchs und mit ausreichend Bewegungsfreiheit für den Anwender genutzt werden.
- Wenn neben dem CleanAIR® weiteres Zubehör (z. B. eine Sprühpistole) an die Druckluftversorgung angeschlossen wird, muss der Anwender sicherstellen, dass der Luftstrom zur Haube selbst bei maximalem Luftverbrauch dieses Zubehörs ausreichend ist.

- Wenn das Gerät in Umgebungen mit hohen Temperaturen verwendet wird, muss der Zufuhrschlauch derartigen Einwirkungen standhalten.
- Es ist verboten, das Gerät in explosiven Umgebungen zu verwenden.
- Vor jedem Gebrauch des Geräts muss überprüft werden, ob der Luftstrom höher als der in den technischen Parametern angegebene minimale Wert ist.
- Falls das Gerät aus einem beliebigen Grund die Luftzufuhr stoppt, muss der Anwender sofort den verunreinigten Bereich verlassen.
- Bei Kombination mit einem Schweißhelm, Schutzhelm oder einer Maske wird das Gerät nicht für Anwender empfohlen, deren Bart oder langes Haar in die Atemzone eindringt.
- Achten Sie auf eine erhöhte CO₂-Konzentration in der Luftzufuhr, die auftreten kann, wenn der Kompressor nicht ordnungsgemäß funktioniert. Ein möglicher Grund ist, dass Schmieröl bei hohen Temperaturen brennt.
- Der Luftzufuhrschlauch muss einem Druck zwischen 400 und 1.000 kPa standhalten.
- Die Luftquelle muss mit einem Sicherheitsventil ausgestattet sein, um sicherzustellen, dass der Eingangsdruck nicht überschritten wird.
- Die Versorgungsdruckschläuche dürfen nur in Bereichen am Arbeitsplatz gelagert werden, wo eine Beschädigung ausgeschlossen ist.
- Druckschläuche für CA Pressure (Flow Master/For Mask) und CAP Conditioner (Bestellnr. 61 00 30 und 61 00 46) sind nicht antistatisch und die maximale Temperatur, der sie ohne Beschädigung standhalten, beträgt 70 °C.
- Die maximale Länge des Druckschlauchs von der Druckluftverteilung oder dem CAP Conditioner zum Gerät darf 10 m nicht überschreiten. Dies gilt nur für Produktkombinationen mit der Schutzklasse 1A bis 4A. Für Produktkombinationen der Schutzklasse 1B bis 4B ist die Länge des Zufuhrschlauchs unbegrenzt.
- Der empfohlene Temperaturbereich für den Gebrauch beträgt 10 bis 40 °C. Bei geringeren Temperaturen kann der Gebrauch der Schutzhaube oder -maske mit Luftzufuhr unangenehm sein.
- Für den CA Pressure (Flow Master/For Mask) muss Atemluft gemäß EN 12021 bereitgestellt werden.
- Der CA Pressure (Flow Master/For Mask) kann mit den Kopfteilen kombiniert werden, die im Bildanhang auf dem Umschlag des Handbuchs abgebildet sind. Außerdem sind die Schutzklassen für die jeweiligen Kombinationen aufgeführt.
- Informationen zu den Kopfteilen können den Anweisungen zum Gebrauch der CA Kopfteile entnommen werden.
- Bei Verwendung eines CA Pressure For Mask muss ein geeigneter Zwei-Gewinde-Filter (50 02 48 oder 50 02 68, je nach umgebenden Verunreinigungen) zwischen dem Gerät und der Maske platziert werden. Dadurch kann der Anwender sicher während einer möglichen Evakuierung atmen, falls die Druckquelle ausfällt.

Wenn ein in diesem Handbuch aufgeführtes Verfahren nicht eingehalten wird, erlischt die Garantie!

3. Auspacken/Montage/Gebrauch und Funktionen

3.1 Auspacken des CA Pressure

Bei Erhalt der Lieferung muss diese auf Vollständigkeit und etwaige Transportschäden geprüft werden.

Lieferumfang des CA Pressure (63 00 00), CA Pressure Flow Master (67 00 00):

CleanAIR® Pressure (Flow Master) Gerät	1 Stk.
Gürtel für Gerät	1 Stk.
Luftstromanzeige	1 Stk.
Benutzerhandbuch	1 Stk.

Lieferumfang des CA Pressure For Mask (65 00 00):

CleanAIR® Pressure For Mask Gerät	1 Stk.
Zwei-Gewinde-Filter P3	1 Stk.
Gürtel für Gerät	1 Stk.
Luftstromanzeige	1 Stk.
Benutzerhandbuch	1 Stk.

Lieferumfang des CA Pressure Conditioner (61 00 50):

CA Pressure Conditioner Gerät	1 Stk.
Geräteständer	1 Stk.
Schrauben zur Verbindung des Geräts mit dem Ständer	2 Stk.
Dichtung	1 Stk.
Gebrauchsanweisung	1 Stk.

3.2 Montage des CAP Conditioner (61 00 50)

Schrauben Sie den Container (CAP Conditioner) auf den Ständer (siehe Bildanhang für Anweisungen).

3.3 Montage des CA Pressure (Flow Master/For Mask)

- Prüfen Sie, ob alle Komponenten in einem guten Zustand sind, d. h. keine offensichtliche Beschädigung.
- Verbinden Sie den CAP Conditioner mit dem Druckluftverteilersystem oder direkt mit einem Kompressor. Wird der CA Pressure Conditioner nicht verwendet, wird die Druckluftversorgung direkt mit dem CA Pressure (Flow Master/For Mask) verbunden.
- Bringen Sie das Gerät an Ihrem Gürtel an, und schließen Sie den Druckschlauch daran an.
- Schließen Sie den Druckschlauch mithilfe der Schnellkupplung zwischen Druckluftquelle und CA Pressure Gerät an.

4. Vor dem Gebrauch

4.1 Überprüfung vor Gebrauch

Überprüfen Sie vor Gebrauch:

- Ob die einzelnen Teile, insbesondere der Luftschlauch und die Dichtungselemente, frei von offensichtlichen Schäden sind.
- Ob der Schlauch korrekt mit dem Gerät und dem Kopfteilananschluss verbunden ist.
- Ob der Luftdruck im Verteilersystem für den CA Pressure Flow Master und For Mask im Bereich von 400 bis 1.000 kPa oder für das CA Pressure Gerät im Bereich von 300 bis 1.000 kPa liegt.
- Ob der Luftdruck den Angaben in Kapitel 4.2 entspricht. Der minimal zulässig Luftstrom beträgt 170 l/m.
- Ob die Luft vom Kopfteil bereitgestellt wird.

4.2 Luftstromtest (CA Pressure / CA Pressure Flow Master / CA Pressure For Mask)

Alle CA Pressure Geräte sind auf einen Luftstrom von 170 l/m voreingestellt. Folgen Sie bei der Messung des Luftstroms den Anweisungen im Handbuch der Luftstromanzeige. Wenn der Luftstrom einen anderen Wert aufweist, gehen Sie wie folgt vor:

1. Ziehen Sie den Reglerknopf, bis Sie ein Klicken hören (siehe Bildanhang).
2. Drehen Sie zur Einstellung des optimalen Luftstroms den Reglerknopf gegen den Uhrzeigersinn (siehe Bildanhang). Zur Überprüfung des Luftstroms können Sie die Luftstromanzeige anschließen.
3. Drücken Sie den Reglerknopf, bis Sie ein Klicken hören (siehe Bildanhang).

WARNUNG! Der Luftstrom darf nicht unter 160 l/m fallen!

5. Wartung und Reinigung

CA Pressure / CA Pressure Flow Master / CA Pressure For Mask

Nach Abschluss der Arbeit wird empfohlen, das CA Pressure Gerät zu reinigen, alle Einzelteile zu überprüfen und beschädigte Teile zu ersetzen.

- Die Reinigung muss in einem gut belüfteten Raum erfolgen. Vermeiden Sie das Einatmen des schädlichen Staubs, der sich auf den einzelnen Teilen des Geräts und des Zubehörs abgesetzt hat.
- Es ist verboten, Reinigungsmittel zu verwenden, die Lösungs- oder Schleifmittel enthalten. Gängige Reinigungsmittel werden empfohlen.
- Der Luftschlauch kann mit klarem Wasser gereinigt werden.
- Verwenden Sie zur Reinigung ein feuchtes Tuch. Jedes Teil muss nach der Reinigung trocken gerieben werden.

CA Pressure Conditioner

- Lassen Sie einmal pro Woche des Kondensat vom Containerboden ab, indem Sie das Ablassventil an der Unterseite verwenden. Vor diesem Vorgang wird empfohlen, das Gerät von der Druckluftzufuhr zu trennen.
- Tauschen Sie den Filter mindestens einmal alle drei Monate aus. Nach diesem Zeitraum könnten sich Viren und Bakterien im Gerätefilter vermehren. Außerdem könnte bei regelmäßigem Gebrauch die Absorptionskapazität der Aktivkohle, die Gerüche eliminiert, erschöpft sein (falls die Luft aus dem CA Pressure Conditioner einen Geruch aufweist, tauschen Sie den Filter sofort aus).
- Reinigen Sie beim Austausch des Filters das Innere des Containers mit einem trockenen Tuch und einem gängigen Reinigungsmittel.

Austausch des CAP Conditioner Filters (siehe Bildanhang)

- Schrauben Sie den oberen Teil des CAP Conditioner Containers ab (6 Inbusschrauben).
- Entfernen Sie den verunreinigten Filter, und wischen Sie das Innere des Containers aus.
- Überprüfen Sie den Zustand der Gummidichtung am Deckel. Falls die Dichtung beschädigt ist, tauschen Sie sie aus.
- Installieren Sie einen neuen Filter, setzen Sie den Deckel auf den Container, und schrauben Sie ihn wieder an.
- Prüfen Sie den Container auf Leckstellen. Falls der Container nicht absolut dicht ist, ziehen Sie alle Schrauben des Deckels fest.

6. Lagerung

Alle Komponenten der CleanAIR® Geräte müssen in Räumen mit Temperaturen zwischen 0 und 40 °C und einer relativen Luftfeuchtigkeit zwischen 20 und 80 % aufbewahrt werden. Die Lagerdauer in geschlossenen Containern beträgt max. 2 Jahre.

7. Garantie

Die Garantie auf Herstellungsfehler beträgt 12 Monate ab dem Datum des Verkaufs an den Kunden. Ein Garantieanspruch muss beim Vertriebsunternehmen eingefordert werden, wobei ein Kaufnachweis (Rechnung oder Lieferschein) vorgelegt werden muss.

Die Garantie deckt keine Defekte, die durch einen zu späten Austausch des Filters oder durch Verwendung eines durch die Reinigung oder Ausblasung beschädigten Filters entstanden sind.

8. Mögliche Fehler

Falls ein Fehler eintritt (z. B. plötzliche Verringerung oder Erhöhung der Luftzufuhr), muss der Anwender zunächst den Arbeitsplatz verlassen und anschließend Folgendes überprüfen:

- Die korrekte Montage des Geräts
- Der Filterzustand im CA Pressure Conditioner
- Eine eventuelle Beschädigung des Luftschlauchs
- Eine Verstopfung des Schalldämpfers im CA Pressure / CA Pressure Flow Master / CA Pressure For Mask
- Der Zustand der Gleitringdichtung an der Schutzhaube oder -maske.

DAS GERÄT LIEFERT EINE UNZUREICHENDE LUFTMENGE	
Problemursache	Empfehlung
Der Luftschlauch oder Luftkanal ist blockiert.	Überprüfen Sie den Schlauch/Kanal, und entfernen Sie eventuelle Hindernisse.
Luft dringt durch Leckstellen aus.	Prüfen Sie alle Dichtungselemente und Verbindungsstellen. Überprüfen Sie, ob der Schlauch eventuell beschädigt ist oder Leckstellen aufweist.
Der Schalldämpfer ist verstopft.	Tauschen Sie den Schalldämpfer im CA Pressure aus.
Der Filter im CA Conditioner ist verstopft.	Tauschen Sie den Filter aus.

DAS GERÄT FUNKTIONIERT NICHT	
Problemursache	Empfehlung
Die Druckluftversorgung ist ausgefallen. Der Schlauch ist beschädigt.	Prüfen Sie die Druckluftquelle.
	Überprüfen Sie, ob die Anschlussschläuche beschädigt sind.
	Schicken Sie das Gerät für einen autorisierten Service ein.

9. Technische Daten

CA Pressure	Pressure	Pressure Flow Master	Pressure For Mask
Minimaler Luftstrom	170 l/m	170 l/m	170 l/m
Maximaler Luftstrom	400 l/m	250 l/m	400 l/m
Gerätgewicht	250 g	280 g	630 g (mit Filter)
Eingangsanschluss	Kompatibel mit RECTUS Serie 25, 26 und CEJN320.		
Ausgangsanschluss	CA40x1/7"		MINI DN 5
Geräuschpegel des Geräts	61 dB	61 dB	61 dB
Hüftumfang	60–150 cm	60–150 cm	60–150 cm
Versorgungsdruckbereich	300–1.000 kPa	400–1.000 kPa	400–1.000 kPa
Temperaturbereich bei Betrieb	+10 bis +60 °C	+10 bis +60 °C	+10 bis +60 °C
Luftfeuchtigkeit am Arbeitsplatz	20 bis 80 % [rel.]	20 bis 80 % [rel.]	20 bis 80 % [rel.]
Zertifizierung	EN 14594 Klasse 2A	EN 14594 Klasse 3B	EN 14594 Klasse 4B

CleanAIR® Pressure Conditioner	
Maximaler Luftstrom	500 l/m
Gewicht ohne Filter	6.300 g
Gewicht mit Filter	6.800 g
Eingangsanschluss	Kompatibel mit RECTUS Serie 25, 26 und CEJN320.
Ausgangsanschluss	Kompatibel mit RECTUS Serie 25, 26 und CEJN320.
Empfohlener Temperaturbereich bei Betrieb	+10 bis +60 °C
Empfohlene Luftfeuchtigkeit am Arbeitsplatz	20 bis 80 % [rel.]
Zertifizierung	Entspricht EN 12021, unter der Voraussetzung, dass die Anforderungen von TP-610050-1 erfüllt sind.

10. Genehmigung und Zertifizierung

Die Druckluft-Schlauchgeräte CleanAIR® Pressure werden gemäß den Anforderungen der EU-Richtlinie EN 14594:2005 geprüft und genehmigt, damit sie entweder mit den CleanAIR® Schutzhauben oder den CleanAIR® Schutzmasken genutzt werden können. Alle Teile des Geräts müssen vom Hersteller genehmigt und gemäß den Anweisungen in diesem Benutzerhandbuch verwendet werden.

Benannte Stelle für CE-Prüfung:

Výzkumný ústav bezpečnosti práce, v.v.i. – ZL
Testing Laboratory No. 1024, Jeruzalémská 9, 116 52 Praha 1
Authorized Body 235 | Notified Body 1024

11. Liste der Ersatzteile

CleanAIR® Pressure (Flow Master)	
Bestellnr.:	Beschreibung:
63 00 00	CA Pressure + Gürtel
67 00 00	CA Pressure Flow Master + Komfortgürtel
61 00 30	Standardschlauch [10 m] für CAP
61 00 31	Antistatischer Schlauch [10 m] für CAP
61 00 38	Standardschlauch [25 m] für CAP
61 00 39	Standardschlauch [50 m] für CAP
61 00 46	Spiralschlauch [10 m] für CAP, mechanisch belastbar – mod.
63 00 10	Schalldämpfer
70 00 60	Leichter flexibler Schlauch CA40x1/7" – CA40x1/7"
70 00 86CA	Gummischlauch CA40x1/7" – CA40x1/7"
70 00 95	Gürtel für CA Pressure [155 cm]
71 00 93	Gepolsterter Komfortgürtel
72 00 93	Komfortgürtel aus Leder
70 00 90RD	Luftstromanzeige

CleanAIR® Pressure For Mask	
Bestellnr.:	Beschreibung:
65 00 00PC	CA Pressure For Mask, Komplettsset mit Komfortgürtel
65 00 00PD	CA Pressure For Mask, Komplettsset mit dekontaminierbarem Gürtel
61 00 30	Standardschlauch [10 m] für CAP
61 00 31	Antistatischer Schlauch [10 m] für CAP
61 00 38	Standardschlauch [25 m] für CAP
61 00 39	Standardschlauch [50 m] für CAP
61 00 46	Spiralschlauch [10 m] für CAP, mechanisch belastbar – mod.
70 00 90RD	Luftstromanzeige
70 00 60	Leichter flexibler Schlauch CA40x1/7" – CA40x1/7"
70 00 86CA	Gummischlauch CA40x1/7" – CA40x1/7"
50 02 48	Filter P3, mit zwei Gewinden RD40x1/7"
50 02 68	Filter A2B2E2K2P3, mit zwei Gewinden RD40x1/7"

CleanAIR® Pressure Conditioner	
Bestellnr.:	Beschreibung:
61 00 50	CleanAIR® Pressure Conditioner
61 00 10	Filter für CleanAIR® Pressure Conditioner
61 00 24	CleanAIR® Pressure Conditioner – O-Ring zur Abdichtung, 139 × 3 mm
61 00 28	CleanAIR® Pressure Conditioner – O-Ring zur Abdichtung, 30 × 4 mm

重要提示

使用前，请务必阅读并记住以下说明，以确保自身安全。如果您有任何问题，请联系制造商或经销商。请妥善保管好本手册，以备日后参考。本压缩空气设备只能用于本手册中所述的用途。

1. 简介

CleanAIR® Pressure 压缩空气管路系统是根据呼吸带内持续供应的过滤空气要超压的原则开发的个人呼吸防护系统。空气从压缩空气源（空气压缩机或空气管路系统）输送至 CA Pressure / CA Pressure Flow Master / CA Pressure For Mask 系统，后者允许调节通过空气软管输送至防护面罩或头罩的空气流量。超压可防止污染物进入呼吸带。同时，这种轻度超压还能确保佩戴者即使长时间使用也不会感觉到不舒服，因为佩戴者不需要克服过滤器的阻力呼吸。

CleanAIR® Pressure 并不是唯一配备压力计（用于检查当前输入压力）和警笛的系统，CleanAIR® Pressure Flow Master 和 CleanAIR® Pressure For Mask 都具有相同的功能，一旦进气口压力低于工作压力的下限，将会向使用者发出警报。压缩机或空气管路系统直接供应的空气必须卫生、清洁，符合 EN 12021 标准。如果空气不符合此项要求，可在 CA Pressure / CA Pressure Flow Master / CA Pressure For Mask 和压缩空气源之间安装 CA Pressure Conditioner (CAP Conditioner) ！

如果在第 10 节中规定的温度范围内使用且压缩机送出的空气符合第 1.1 节中的要求，CA Pressure Conditioner 出气口的空气质量将能够达到 EN 12021 标准的要求。CAP Conditioner 可清除油雾、气味和味道。过滤站可连接两个使用者。

CAP Conditioner 不会清除空气中的一氧化碳 (CO) 或二氧化碳 (CO₂) !!!

1.1. 对压缩机供应的压缩空气的要求

- CAP Conditioner 只能连接以 20 % 至 22 % 的体积浓度供应空气的压缩机。二氧化碳的浓度不得超过 500 ppm，一氧化碳的浓度不得超过 15 ppm。
- 在 1 - 20 Mpa 的额定压力下，空气中水的最大浓度不得超过 50 mg/m³。必须控制所供应的空气湿度，以防设备冻住。

2. 使用限制

使用系统之前，使用者必须充分了解工作场所内可能存在的风险，并充分了解如何安全地使用个人防护设备。如有任何疑问，请联系制造商或当地的经销商。CleanAIR® Pressure 压缩空气管路系统必须与 CleanAIR® 防护头罩或 Shigematsu GX02 (CA Pressure For Mask) 全面罩配套使用。因此，阅读本手册时，请结合 CleanAIR® 头罩或 Shigematsu GX02 (CA Pressure For Mask) 的使用手册。

请仔细阅读本手册并遵循其中的相关说明!!!

- 使用者必须充分理解相关说明。
- 在紧张工作期间，如果使用者的呼吸变得过于急促，则可能指示头罩内的正压力降低，导致防护系数下降。
- 禁止在 CleanAIR® 系统中使用富氧空气和氧气，因为存在爆炸的风险。
- 此系统只能在供气软管损坏可能性较低且使用者的活动不受限制的环境中使用。
- 除了 CleanAIR® 以外，也可将其他附件（如喷枪）连接至压缩气源，但使用者必须确保即使在该附件的最大耗气量下，头罩也能有充足的气流供应。
- 如果本设备在高温环境中使用，所用的供气软管必须能够耐受高温。
- 禁止在爆炸性环境中使用本设备。
- 每次使用本设备之前，请检查空气流量是否高于技术参数中规定的最小值。
- 如果本设备因任何原因而停止供应空气，使用者必须立即离开被污染的区域。
- 在与焊接头盔、安全头盔或面罩组合时，不建议胡须或长发伸出呼吸带的使用者使用本设备。
- 要注意气源中可能有较高的 CO₂ 浓度，如果压缩机因润滑油在高温下燃烧而无法正常工作，就可能会出现这种情况。
- 供气压力必须在 400 - 1000 kPa 之间。
- 气源必须配备安全阀，以确保不会超出进气口的压力。
- 供气压力软管只能布置在工作区域内能够确保其不会损坏的区域。
- CA Pressure (Flow Master / For Mask) 和 CAP Conditioner 的压力软管（订单号：61 00 30 和 61 00 46）不抗静电，最高可耐受 70 °C 的温度而不损坏。
- 压缩空气分配系统或 CAP Conditioner 和本设备之间的压力软管长度最大不得超过 10 m；这仅适用于防护等级为 1A - 4A 的产品组合。对于防护等级为 1B - 4B 的产品组合，供气压力软管的长度不受限制。
- 建议在 10 - 40 °C 的温度范围内使用；在更低的温度下使用带气源的防护头罩或面罩可能会不舒服。
- 对于 CA Pressure (Flow Master / For Mask)，必须要依据 EN 12021 的要求提供可呼吸的空气。
- CA Pressure (Flow master / For Mask) 可以和本手册封面上的图片附件中所示任何类型的头罩组合使用。附件中还标示了各组合的防护等级。
- 在 CA 头罩使用说明中提供了头罩的相关信息。

- 如果使用 CA Pressure For Mask, 您必须在本设备和面罩之间配备一个适用的双头过滤器 50 02 48 或 50 02 68 (视周围的污染物而定)。当因为压力源停止工作时, 可能需要疏散, 此理念将允许您在疏散期间安全地呼吸。

如果未遵循本手册中所规定的任何原则, 保修将会失效!

3. 开箱/组装/使用及功能

3.1. 开箱CA Pressure

检查交付的设备完好, 运输过程中是否有损坏。

CA Pressure (63 00 00) 和 CA Pressure Flow Master (67 00 00) 的包装内容:

CleanAIR® Pressure(Flow Master) 设备	1 台
设备腰带	1 条
空气流量指示器	1 个
使用手册	1 本

CA Pressure For Mask (65 00 00) 的包装内容:

CleanAIR® Pressure For Mask设备	1 台
双头P3 过滤器	1 个
设备腰带	1 条
空气流量指示器	1 个
使用手册	1 本

CA Pressure Conditioner (61 00 50) 的包装内容:

CA Pressure Conditioner设备	1 台
设备支架	1 个
连接设备和支架的螺钉	2 颗
垫圈	4 个
使用说明书	1 本

3.2. 组装 CAP Conditioner (61 00 50)

用螺钉将容器 (CAP Conditioner) 固定于支架上; 操作步骤请参见图片附件。

3.3. 组装 CA Pressure (Flow Master / For Mask)

- 检查所有组件是否完好, 即没有明显的损坏痕迹。
- 将 CAP Conditioner 连接至压缩空气分配系统或直接连接至压缩机。如果未使用 CA Pressure Conditioner, 可以直接将压缩气源连接至 CA Pressure (Flow Master / For Mask)。
- 将设备连接腰带, 然后再连接压力软管。
- 使用快速接头在压缩气源和 CA Pressure 设备之间连接压力软管。

4. 使用前须知

4.1. 使用前检查

请在每次使用前检查:

- 各部件是否有明显的损坏痕迹, 特别是空气软管和密封件
- 软管是否已正确连接至设备和头罩连接器
- 分配系统中的空气压力是否在 400 - 1000 cm kPa (CA Pressure Flow Master 和 For Mask) 或 300 - 1000 kPa (CA Pressure 设备) 范围内
- 空气流量是否符合第 4.2 节的要求 (可容许的最低流量为 170 升/分)
- 头罩是否供应空气。

4.2. 空气流量测试 (CA Pressure / CA Pressure Flow Master / CA Pressure For Mask)

所有 CA Pressure 设备的空气流量均已预调至 170 升/分。在测量气流时, 请按照流量指示器随附的使用手册中的说明操作。如果流量不一致, 请按如下步骤操作:

1. 拉起控制旋钮, 您将听到咔哒声 (参见图片附件)。
2. 若要设置最佳空气流量, 可逆时针旋转控制旋钮 (参见图片附件)。若要检查流量, 可连接流量指示器。
3. 按下控制旋钮, 您将听到咔哒声 (参见图片附件)。

警告! 空气流量不得低于 160 升/分!

5. 维护和清洁

CA Pressure/ CA Pressure Flow Master /CA Pressure For Mask

建议在每次工作结束后清洁 CA Pressure 设备、检查各部件并更换损坏的部件。

- 清洁工作必须在通风良好的房间内进行。避免吸入设备部件和附件上沉积的有害粉尘!
- 禁止使用含溶剂或磨蚀剂的清洁剂。建议使用常用的清洁剂。
- 空气软管可用清水冲洗。
- 使用湿布进行清洁。清洁后必须擦干各部件。

CA Pressure Conditioner

• 使用容器底部的排水阀排出容器中的冷凝水, 每周一次。在进行此项操作之前, 建议先断开设备和压缩气源

- 的连接。
- 过滤器至少要每三个月更换一次。超过此期限后, 设备过滤器上可能会滋生病毒和细菌, 如果经常使用, 用于清除气味的活性碳的吸附能力可能会丧失 (如果从 CA Pressure Conditioner 中出来空气有任何异味, 应立即更换过滤器)。
- 更换过滤器时, 先用干布和清洁剂擦净容器内部。

更换 CAP Conditioner 过滤器 (参见图片附件)

- 拆下 CAP Conditioner 容器的顶盖 (6 颗内六角螺钉)。
- 拆下被污染的过滤器, 擦净容器内部。
- 检查顶盖内橡胶密封件的状态。如果密封件损坏, 必须进行更换。
- 安装新过滤器, 将容器盖板装回并拧紧。
- 检查容器是否存在泄漏。如果容器不完全密封, 则要拧紧所有用于紧固顶盖的螺钉。

6. 存放

CleanAIR® 系统的所有组件必须存放在温度为 0 ° C 至 40 ° C、相对湿度为 20% 至 80% 的房间内。在封闭容器内最多可存放 2 年。.

7. 质保

对于制造方面的缺陷, 质保期为 12 个月 (自销售给客户之日起)。必须向销售机构提出索赔并提交销售证据 (发票或交货单)。

因迟装过滤器或使用在清洁或吹洗过程中被损坏的过滤器而导致的缺陷不在质保范围之列。

8. 可能的故障

如果发生故障, 例如供气量突然减少或增多, 用户必须先离开工作场所, 然后再检查:

- 设备是否组装正确。
- 位于 CA Pressure Conditioner 中的过滤器状态。
- 空气软管是否损坏。
- CA Pressure / CA Pressure Flow Master / CA Pressure For Mask 中的消音器是否被堵塞。
- 防护头罩或面罩上的面部密封是否完好。

设备无法供应足量的空气	
可能的原因	建议
空气软管或管道被堵塞。	检查并移除可能存在的障碍物。
空气从泄漏点逸出。	检查所有密封件和连接处; 检查软管是否损坏、有无泄漏。
消音器被堵塞。	更换 CA Pressure 中的消音器。
CA Conditioner 中的过滤器被堵塞。	更换过滤器。

设备不工作	
可能的原因	建议
压缩气源出现故障。软管损坏。	检查压缩气源。
	检查连接软管是否损坏。
	将设备送至授权服务点检修。

9. 技术数据

CA Pressure	Pressure	Pressure Flow Master	Pressure For Mask
最小空气流量	170 /	170 /	170 /
最大空气流量	400 /	250 /	400 /
设备重量	250 g	280 g	630 g
进气口接头	RECTUS 2526 CEJN320		
出气口接头	CA40x1/7"		MINI DN 5
设备噪音水平	61 dB	61 dB	61 dB
腰围	60 - 150 cm	60 - 150 cm	60 - 150 cm
供气压力范围	300 - 1000 kPa	400 - 1000 kPa	400 - 1000 kPa
工作温度范围	+10 +60 °C	+10 +60 °C	+10 +60 °C
工作场所空气湿度范围	20% 80%	20% 80%	20% 80%
认证	EN 14594 Class 2A	EN 14594 Class 3B	EN 14594 Class 4B

CleanAIR® Pressure Conditioner	
最大空气流量	500 升/分
重量 (不含过滤器)	6300 g
重量 (含过滤器)	6800 g
进气口接头	兼容 RECTUS 25、26 和 CEJN320。
出气口接头	兼容 RECTUS 25、26 和 CEJN320。
建议工作温度范围	+10 至 +60 °C
工作场所建议空气湿度范围	20% 至 80% (相对湿度)
认证	符合 EN 12021 标准, 满足 TP-610050-1 的要求。

10. 认可与认证

CleanAIR® Pressure 压缩空气管路系统按照欧洲标准 EN 14594:2005 测试和认可, 适用于 CleanAIR® 防护头罩和 CleanAIR® 防护面罩。所有系统部件都必须得到制造商的批准, 并按照本使用手册中的说明使用。

CE 测试认证机构

Výzkumný ústav bezpečnosti práce, v.v.i. – ZL
测试实验室编号 1024, Jeruzalémská 9, 116 52 Praha 1
Authorized Body 235 | Notified Body 1024

11. 备件列表

CleanAIR® Pressure (Flow Master)	
订单号:	说明:
63 00 00	CA Pressure+ 腰带
67 00 00	CA Pressure Flow Master+ 舒适型腰带
61 00 30	标准软管, 10 m, 用于 CAP
61 00 31	防静电软管, 10 m, 用于 CAP
61 00 38	标准软管, 25 m, 用于 CAP
61 00 39	标准软管, 50 m, 用于 CAP
61 00 46	螺旋式软管, 10 m, 用于 CAP, 抗机械损伤, 改进型
63 00 10	消音器
70 00 60	轻质软管 CA40x1/7" - CA40x1/7"
70 00 86CA	橡胶软管 CA40x1/7" - CA40x1/7"
70 00 95	CA Pressure 腰带, 155 cm
71 00 93	舒适型带护垫腰带
72 00 93	舒适型皮革腰带
70 00 90RD	空气流量指示器

CleanAIR® Pressure For Mask	
订单号:	说明:
65 00 00PC	CA Pressure For Mask, 成套与舒适带
65 00 00PD	CA Pressure For Mask, 成套设有可去污皮带
61 00 30	标准软管, 10 m, 用于 CAP
61 00 31	防静电软管, 10 m, 用于 CAP
61 00 38	标准软管, 25 m, 用于 CAP
61 00 39	标准软管, 50 m, 用于 CAP
61 00 46	螺旋式软管, 10 m, 用于 CAP, 抗机械损伤, 改进型
70 00 90RD	空气流量指示器
70 00 60	轻质软管 CA40x1/7" - CA40x1/7"
70 00 86CA	橡胶软管 CA40x1/7" - CA40x1/7"
50 02 48	P3 双头过滤器, RD40x1/7"
50 02 68	A2B2E2K2P3 双头过滤器, RD40x1/7"

CleanAIR® Pressure Conditioner	
订单号:	说明:
61 00 50	CleanAIR® Pressure Conditioner
61 00 10	过滤器, 用于 CleanAIR® Pressure Conditioner
61 00 24	CleanAIR® Pressure Conditioner- 0 型密封圈, 139x3 mm
61 00 28	CleanAIR® Pressure Conditioner- 0 型密封圈, 30x4 mm

Fontos

Kérjük, saját biztonsága érdekében használat előtt olvassa el, és jegyezze meg az alábbi utasításokat. Ha bármilyen kérdése van, kérjük, forduljon a gyártóhoz vagy a forgalmazójához. Ūrizzze meg a kézikönyvet későbbi használatához. A sűrítettlevegő-egységet kizárólag a kézikönyvben felsorolt célokra szabad használni.

1. Bevezető

A CleanAIR® Pressure sűrítettlevegő-vezetékrendszerek olyan egyéni légzésvédő rendszerek, amelyek azon az elven alapulnak, hogy a légzési zónába folyamatosan túlnyomás alatti szűrt levegő áramlik [folyamatos áramlású, sűrített levegős légzőkészülékek]. A levegő sűrítettlevegő-forrásból [kompresszor vagy légvezeték rendszer] érkezik, és a CA Pressure / CA Pressure Flow Master / CA Pressure For Mask rendszerbe továbbítódik, ami lehetővé teszi a levegőtömllőn keresztül védőmaszkba vagy -csuklyába szállított levegőáramlás szabályozását. A túlnyomás megakadályozza, hogy szennyezések kerüljenek a légzési zónába. Ezzel egyidejűleg ez az enyhe túlnyomás biztosítja a készülék viselőjének kényelmét hosszas használat esetén is, mivel a viselőnek nem kell a légzés során a szűró ellenállását leküzdenie.

A CleanAIR® Pressure nem az egyetlen olyan rendszer, ami aktuális bemenő nyomást ellenőrző nyomásmérővel és figyelmeztető síppal van ellátva, mind a CleanAIR® Pressure Flow Master, mind a CleanAIR® Pressure For Mask rendelkezik ugyanezzel a funkcióval, ami figyelmezteti a felhasználót, ha a bemenő nyomás az üzemi nyomás alsó határértéke alá esik. A kompresszorról vagy levegővezeték-rendszerről közvetlenül szállított levegőnek higiénikusan tisztának kell lennie, és meg kell felelnie az EN 12021 szabványnak. Ha a levegő nem felel meg ennek a követelménynek, szerelje be a CA Pressure Conditioner eszközt [CA Conditioner] a CA Pressure / CA Pressure Flow Master / CA Pressure For Mask és a sűrítettlevegő-forrás közé!

A CA Pressure Conditioner kimeneténél a levegő minősége megfelel az EN 12021 szabványnak, ha a 10. fejezetben megadott hőmérséklet-tartományon belül használatos, illetve a kompresszorból származó levegő megfelel az 1.1. fejezet követelményeinek. A CA Conditioner eltávolítja az olajködöt, a szagokat és az aromákat. Két felhasználó csatlakoztatható a szűróállomásra.

A CA Conditioner nem távolítja el a szénmonoxidot [CO] vagy a széndioxidot [CO₂] a levegőből!!!

1.1. A kompresszorról szállított sűrített levegőre vonatkozó követelmények

- A CA Conditioner csak olyan kompresszorra csatlakoztatható, ami 20–22 térf.% oxigénkoncentrációjú levegőt szállít. A széndioxid koncentrációja nem haladhatja meg a 500 ppm értéket, a szénmonoxid koncentrációja pedig nem haladhatja meg a 15 ppm értéket.
- A levegőben a víz maximális koncentrációja 50 mg/m³ lehet 1–20 MPa névleges nyomásnál. A szállított levegő páratartalmát szabályozni kell a készülék fagyás elleni védelme érdekében.

2. A használat korlátai

A rendszer használata előtt a felhasználónak teljes mértékben meg kell ismernie a munkahelyen fennálló lehetséges kockázatokat, és el kell sajátítania az egyéni védőfelszerelések biztonságos használatát. Bármilyen kétely esetén kérjük, forduljon a gyártóhoz vagy a forgalmazójához. A CleanAIR® Pressure sűrítettlevegő-vezetékrendszereket kizárólag a CleanAIR® fejezővel vagy a Shigematsu GXD2 [CA Pressure For Mask] teljes arcmaskkal szabad használni. Ezért ezt a kézikönyvet a CleanAIR® fejező használati kézikönyvével vagy a Shigematsu GXD2 [CA Pressure For Mask] használati kézikönyvével összefüggésben olvassa el.

Olvassa el figyelmesen ezt a kézikönyvet, és kövesse az utasításait!!!

- A felhasználónak teljes mértékben meg kell értenie az utasításokat.
- Ha fárasztó munka során a felhasználó légzése túlságosan felerősödik, a csuklyán belüli pozitív nyomás visszaeshet, és a védelmi tényező csökkenését okozhatja.
- Tilos az oxigéndús levegő használata a CleanAIR® rendszerben a robbanásveszély miatt.
- A rendszer kizárólag olyan környezetben használható, ahol kicsi a táptömlő sérülésének a valószínűsége, és a felhasználó mozgása nem korlátozott.
- Ha a CleanAIR® készüléken kívül egy másik tartozék [pl. szórópisztoly] van csatlakoztatva a sűrítettlevegő-elátásra, a felhasználónak meg kell róla győződnie, hogy elegendő levegőáramlás biztosított-e a csuklya felé a tartozék maximális levegőfogyasztása mellett is.
- Ha a készülék magas hőmérsékletű környezetekben használatos, a táptömlőnek ellenállónak kell lennie az ilyen hatások ellen.

- Tilos a készüléket robbanásveszélyes környezetben használni.
- A készülék minden egyes használata előtt ellenőrizze, hogy a levegőáramlás nagyobb-e, mint a műszaki paraméterekben meghatározott minimális érték.
- Ha a készülék bármilyen ok miatt nem szállítja tovább a levegőt, a felhasználónak azonnal el kell hagynia a szennyezett területet.
- Hegesztő fejpajzs, biztonsági sisak vagy maszk egyidejű használata esetén a készülék nem javasolt olyan felhasználók számára, akiknek a szakálla vagy hosszú haja a légzési zónába nyúlik.
- Figyeljen a levegőellátás magasabb CO₂ koncentrációjára, ami akkor fordulhat elő, ha a kompresszor nem működik megfelelően, amikor a kenőolaj néha megég a magas hőmérséklet miatt.
- A szállított levegő nyomásának 400 és 1000 kPa között kell lennie.
- A levegőforrást biztonsági szeleppel kell ellátni annak érdekében, hogy a bemenő nyomást ne lehessen túllépni.
- A tápnyomás-tömlők a munkahelyen kizárólag olyan területeken helyezhetők el, ahol nem sérülhetnek meg.
- A CA Pressure [Flow Master/For Mask] és CA Conditioner 61 00 30 és 61 00 46 rendelési számú nyomótömlői nem antisztatikusak, és 70 °C az a maximális hőmérséklet, aminek képesek ellenállni.
- A sűrítettlevegő-elosztásról vagy a CA Conditioner eszközről a készülékre csatlakozó nyomótömlő maximális hossza nem haladhatja meg a 10 m-t; ez csak az 1A–4A védelmi szintű termékek kombinációira vonatkozik. Az 1B–4B kategóriába tartozó termékek kombinációi esetén a táptömlő hossza korlátlan.
- A javasolt használati hőmérséklet-tartomány 10–40 °C; alacsonyabb hőmérsékletek esetén a levegőellátású védőcsuklya vagy -maszk használata kellemetlen lehet.
- A CA Pressure [Flow Master/For Mask] esetén EN 12021 szerinti lélegezhető levegőt kell biztosítani.
- A CA Pressure [Flow Master/For Mask] a kézikönyv borítóján, az ábrás mellékleten látható fejrész típusokkal kombinálható. Ezen látható a megfelelő kombinációk besorolása is.
- A fejrészekre vonatkozó információk a CA fejrészek használatára vonatkozó utasításokban találhatóak.
- CA Pressure For Mask használata esetén megfelelő, [a környező szennyezőanyagoktól függően] 50 02 48 vagy 50 02 68 kétmenetes szűrőt kell behelyezni a készülék és a maszk közé. Ez a koncepció biztonságos légzést tesz lehetővé esetleges evakuálás során, amikor a nyomásforrás működése leáll.

Ha a kézikönyvben megadott bármely elvet nem követik, a garancia érvénytelenné és semmissé válik!

3. Kicsomagolás/szerelés/használat és funkciók

3.1. A CA Pressure kicsomagolása

Ellenőrizze, hogy a csomag hiánytalan-e, és hogy nem történt-e sérülés a szállítás során.

A CA Pressure (63 00 00), CA Pressure Flow Master (67 00 00) tartalma:

CleanAIR® Pressure [Flow Master] készülék	1 db
Szűj a készülékhez	1 db
Levegőáramlás jelző	1 db
Használati kézikönyv	1 db

A CA Pressure For Mask (65 00 00) tartalma:

CleanAIR® Pressure For Mask készülék	1 db
Kétmenetes P3 szűró	1 db
Szűj a készülékhez	1 db
Levegőáramlás jelző	1 db
Használati kézikönyv	1 db

A CA Pressure Conditioner (61 00 50) tartalma:

CA Pressure Conditioner készülék	1 db
Készülékállvány	1 db
Csavarok a készülék állványhoz csavarásához	2 db
Tömlítés	4 db
Használati útmutató	1 db

3.2. A CAP Conditioner (61 00 50) szerelése

Csavarozza a tartályt (CAP Conditioner) az állványra; az eljárásra vonatkozóan lásd az ábrás mellékletet.

3.3. Szerelés – CA Pressure (Flow Master/For Mask)

- Ellenőrizze, hogy minden komponens megfelelő állapotban van-e, tehát nincsenek rajta látható sérülések.
- Csatlakoztassa a CAP Conditioner eszközt a sűrítettlevegő-elosztórendszerre vagy egyenesen egy kompresszorra. Ha a CA Pressure Conditioner nem használatos, a sűrítettlevegő-ellátást egyenesen a CA Pressure (Flow Master/For Mask) eszközre kell csatlakoztatni.
- Helyezze fel a készüléket a szalagra, és csatlakoztassa rá a nyomótömlőt.
- Gyorskapcsoló használatával csatlakoztassa a nyomótömlőt a sűrítettlevegő-forrásról a CA Pressure készülékre.

4. Használat előtt

4.1. Ellenőrzés használat előtt

Minden egyes használat előtt ellenőrizze:

- hogy az egyes részeken, különösen a levegőtömlőn és a tömítőelemeken nincsenek-e látható sérülések,
- hogy a tömlő megfelelően csatlakozik-e a készülékre és a fejrész csatlakozóra,
- hogy az elosztórendszerben a levegőnyomás a 400–1000 kPa tartományban van-e mind a CA Pressure Flow Master, mind a For Mask esetében, illetve a 300–1000 kPa tartományban a CA Pressure készülék esetén, a 4.2 fejezet szerinti levegőáramlás – a megengedett legkisebb áramlási sebesség 170 l/perc-e, hogy továbbtödjék-e levegő a fejrészről.

4.2. Levegőáramlási teszt (CA Pressure / CA Pressure Flow Master / CA Pressure For Mask)

Az összes CA Pressure készülék 170 l/perc levegőáramlásra van előre beállítva. A levegőáramlás mérésekor kövesse az áramlásjelzőhöz mellékelt kézikönyvben megadott utasításokat. Ha az áramlási sebesség eltér, az alábbiak szerint folytassa:

1. Húzza meg az ellenőrző gombot, ekkor kattánást fog hallani (lásd az ábrás mellékletet).
2. Az optimális levegőáramlás beállításához forgassa balra az ellenőrző gombot (lásd az ábrás mellékletet). A levegőáramlás ellenőrzéséhez áramlásjelzőt csatlakoztathat.
3. Nyomja meg az ellenőrző gombot, ekkor kattánást fog hallani (lásd az ábrás mellékletet).

VIGYÁZAT! A levegőáramlás nem eshet 160 l/perc alá!

5. Karbantartás és tisztítás

CA Pressure / CA Pressure Flow Master / CA Pressure For Mask

Valahányszor befejezi a munkát, ajánlatos megtisztítani a CA Pressure készüléket, ellenőrizni az egyes részeket, illetve kicserélni a sérülteket.

- A tisztítást jól szellőző helyiségben kell elvégezni. Kerülje a készülék és a tartozékok egyes részeire lerakódott káros por belégzését!
- Tilos oldószereket vagy súrolóanyagokat tartalmazó tisztítószereket használni. Általános tisztítószerek javasoltak.
- A levegőtömlő tiszta vízzel öblíthető.
- Használjon nedves törölkendőt a tisztításhoz. Az egyes részeket szárazra kell törölni tisztítás után.

CA Pressure Conditioner

- Hetente egyszer eressze le a kondenzátumot a tartályfenékből a fenéken, oldalt elhelyezett leeresztőszelep használatával. E művelet előtt javasolt leválasztani a készüléket a sűrítettlevegő-ellátásról.
- Három havonta legalább egyszer cserélje a szűrőt. Ennyi idő után vírusok és baktériumok szaporodhatnak el a készülék szűrőjében, és rendszeres használat esetében a szagokat eltávolító aktív szén elnyelési kapacitása kimerülhet (ha a CA Pressure Conditioner eszközből távozó levegőnek bármilyen szaga van, azonnal cserélje ki a szűrőt).
- A szűrő cseréjekor tisztítsa ki a tartály belső részét száraz törölkendővel és általános tisztítószerezrel.

A CAP Conditioner szűrő cseréje (lásd az ábrás mellékletet)

- Csavarja le a CAP Conditioner tartály felső részét (6 imbuszcsonvar).
- Távolítsa el a szennyezett szűrőt, törölje ki a tartály belsejét.

- Ellenőrizze a gumitömítés állapotát a fedélen. Ha sérült a tömítés, cserélje ki.
- Helyezzen be egy új szűrőt, tegye fel a tartályfedelelet, és csavarozza vissza.
- Ellenőrizze a tartály szivárgását. Ha a tartály nem zár teljesen, húzza meg a fedelet rögzítő összes csavart.

6. Tárolás

A CleanAIR® rendszerek valamennyi komponensét 0 °C és 40 °C közötti hőmérsékletű és 20% és 80% közötti relatív páratartalmú helyiségekben kell tárolni. Zárt tartályokban a tárolási idő max. 2 év.

7. Garancia

A gyártási hibákra vonatkozó garancia 12 hónap a vevőnek történő eladás napjától számítva. Az eladó szervezetéhez kell benyújtani az igényt és az eladás bizonyítékát (számla vagy szállítólevél).

A garancia nem vonatkozik a szűrő megkésített cseréje, illetve a tisztítás vagy fűvás során megsérült szűrő használata miatt bekövetkező hibákra.

8. Lehetséges okok

Ha bármilyen hiba fordul elő, pl. hirtelen csökken vagy nő a levegőellátás, először a felhasználónak el kell hagynia a munkahelyet, majd ellenőrizni kell az alábbiakat:

- A készülék megfelelő beszerelése.
- A szűrő állapota a CA Pressure Conditioner eszközben.
- A tömlő épsége.
- A CA Pressure/CA Pressure Flow Master/CA Pressure For Mask eszközben a hangtompító dugulása.
- A védőcsuklyán vagy -maszkon a csúszógyűrűs tömítés megfelelő állapota.

A KÉSZÜLÉK NEM SZÁLLÍT ELEGENDŐ MENNYISÉGŰ LEVEGŐT	
Lehetséges ok	Javaslat
A levegőtömlő vagy a levegőcső eldugult.	Ellenőrizze, és távolítsa el az esetleges akadályt.
Levegő szivárog ki.	Ellenőrizze az összes tömítőelemet és csatlakozást; ellenőrizze, hogy a tömlő nem sérült és nem szivárog-e.
A hangtompító eltömődött.	Cserélje ki a hangtompítót a CA Pressure eszközben.
A CA Conditioner eszközben a szűrő eltömődött.	Cserélje ki a szűrőt.

A KÉSZÜLÉK EGYÁLTALÁN NEM MŰKÖDIK	
Lehetséges ok	Javaslat
Sűrítettlevegő-ellátási hiba. Tömlő sérülése.	Ellenőrizze a sűrítettlevegő-forrást.
	Ellenőrizze, hogy a csatlakozótömlők nem sérültek-e.
	Küldje a készüléket engedélyezett szervizközpontba.

9. Műszaki adatok

CA Pressure	Pressure	Pressure Flow Master	Pressure For Mask
Maximális levegőáramlás	170 l/perc	170 l/perc	170 l/perc
Maximális levegőáramlás	400 l/perc	250 l/perc	400 l/perc
Készülék tömege	250 g	280 g	630 g (szűrővel)
Bemeneti csatlakozó	Kompatibilis a 25-ös és 26-os sorozatú RECTUS és CEJN320 eszközzel		
Kimeneti csatlakozó	CA40x1/7"		MINI DN 5
Készülék zajszintje	61 dB	61 dB	61 dB
Derékméret	60–150 cm	60–150 cm	60–150 cm
Tápnymás tartomány	300–1000 kPa	400–1000 kPa	400–1000 kPa
Üzemi hőmérséklet-tartomány	+10 ... +60 °C	+10 ... +60 °C	+10 ... +60 °C
Munkahelyi levegő páratartalom tartomány	20%–80% Rh	20%–80% Rh	20%–80% Rh
Tanúsítás	EN 14594 2A osztály	EN 14594 3B osztály	EN 14594 4B osztály

CleanAIR® Pressure Conditioner	
Maximális levegőáramlás	500 l/perc
Tömeg szűrő nélkül	6300 g
Tömeg szűrővel	6800 g
Bemeneti csatlakozó	Kompatibilis a 25-ös és 26-os sorozatú RECTUS és CEJN320 eszközzel.
Kimeneti csatlakozó	Kompatibilis a 25-ös és 26-os sorozatú RECTUS és CEJN320 eszközzel.
Javasolt üzemi hőmérséklet-tartomány	+10 ... +60 °C
Javasolt munkahelyi levegő páratartalom tartomány	20%–80% Rh
Tanúsítás	Megfelel az EN 12021 szabványnak, a TP-610050-1 követelményeinek.

10. Jóváhagyás, tanúsítás

A CleanAIR® Pressure sűrített levegő-vezetékrendszerek az EN 14594:2005 európai szabvány szerint lettek bevizsgálva, és engedélyezték a CleanAIR® védőcsuklyákkal vagy CleanAIR® védőmaszkokkal való használatukat. A gyártónak jóvá kell hagynia a használt rendszer valamennyi részét, és a jelen használati kézikönyvben megadott utasításoknak megfelelően kell használni őket.

CE vizsgálatra bejelentett szerv:

Výzkumný ústav bezpečnostní práce, v.v.i. – ZL
Testing Laboratory No. 1024, Jeruzalémská 9, 116 52 Praha 1
Authorized Body 235 | Notified Body 1024

11. Cserealkatrészek listája

CleanAIR® Pressure (Flow Master)	
Rendelészám:	Megnevezés:
63 00 00	CA Pressure + szűrő
67 00 00	CA Pressure Flow Master + kényelmi szűrő
61 00 30	Standard 10 m-es tömlő CAP-hoz
61 00 31	Antisztatikus 10 m-es tömlő CAP-hoz
61 00 38	Standard 25 m-es tömlő CAP-hoz
61 00 39	Standard 50 m-es tömlő CAP-hoz
61 00 46	Spirális 10 m-es tömlő CAP-hoz, mechanikusan ellenálló – mód.
63 00 10	Hangtompító
70 00 60	Könnyű rugalmas tömlő CA40x1/7" – CA40x1/7"
70 00 86CA	Gumitömlő CA40x1/7" – CA40x1/7"
70 00 95	Szűrő CA Pressure eszközhöz, 155 cm
71 00 93	Kényelmi bélelt szűrő
72 00 93	Bőr kényelmi szűrő
70 00 90RD	Levegőáramlás-jelző

CleanAIR® Pressure For Mask	
Rendelészám:	Megnevezés:
65 00 00PC	CA Pressure For Mask, komplett komfort övvel
65 00 00PD	CA Pressure For Mask, teljesen decontaminable öv
61 00 30	Standard 10 m-es tömlő CAP-hoz
61 00 31	Antisztatikus 10 m-es tömlő CAP-hoz
61 00 38	Standard 25 m-es tömlő CAP-hoz
61 00 39	Standard 50 m-es tömlő CAP-hoz
61 00 46	Spirális 10 m-es tömlő CAP-hoz, mechanikusan ellenálló – mód.
70 00 90RD	Levegőáramlás-jelző
70 00 60	Könnyű rugalmas tömlő CA40x1/7" – CA40x1/7"
70 00 86CA	Gumitömlő CA40x1/7" – CA40x1/7"
50 02 48	Kétmenetes P3 szűrő, RD40x1/7"
50 02 68	Kétmenetes A2B2E2K2P3 szűrő, RD40x1/7"

CleanAIR® Pressure Conditioner	
Rendelészám:	Megnevezés:
61 00 50	CleanAIR® Pressure Conditioner
61 00 10	Szűrő CleanAIR® Pressure Conditioner eszközhöz
61 00 24	CleanAIR® Pressure Conditioner – tömítő O-gyűrű, 139x3 mm
61 00 28	CleanAIR® Pressure Conditioner – tömítő O-gyűrű 30x4 mm

Importante

Leggere e ricordare le seguenti istruzioni prima dell'uso per garantire la propria sicurezza. In caso di domande, contattare il produttore o il distributore.

Conservare il manuale per una futura consultazione. L'unità ad aria compressa deve essere utilizzata solo per i fini elencati in questo manuale.

1. Introduzione

I sistemi ad aria compressa CleanAIR® Pressure sono dispositivi di protezione personale delle vie respiratorie, basati sul principio della sovrappressione dell'aria filtrata ed erogata continuamente [apparecchi respiratori ad aria compressa a flusso continuo]. L'aria viene prelevata da una fonte di aria compressa (compressore o impianto di aria compressa) ed erogata al sistema CA Pressure / CA Pressure Flow Master / CA Pressure For Mask, che consente la regolazione del flusso d'aria fornito tramite tubo a una maschera protettiva o un cappuccio. La sovrappressione impedisce ai contaminanti di entrare nell'area di respirazione. Questa lieve sovrappressione allo stesso tempo garantisce il comfort del portatore, anche durante lunghi periodi d'uso, poiché il portatore non deve sforzarsi affinché la respirazione superi la resistenza del filtro.

CleanAIR® Pressure non è l'unico sistema dotato di un manometro per il controllo dell'attuale pressione in ingresso e di un fischietto di allarme, entrambe le unità CleanAIR® Pressure Flow Master e CleanAIR® Pressure For Mask sono dotate della stessa funzionalità che avverte l'utente se la pressione in ingresso scende al di sotto del limite di pressione operativa. L'aria fornita direttamente dal compressore o dal sistema di aria compressa deve essere pulita igienicamente e deve essere conforme alla norma EN 12021. Se l'aria non è conforme a questo requisito, installare il CA Pressure Conditioner [CAP Conditioner] tra il CA Pressure / CA Pressure Flow Master / CA Pressure For Mask e la fonte dell'aria compressa.

La qualità dell'aria all'uscita del CA Pressure Conditioner è conforme alla norma EN 12021, se viene utilizzata nell'intervallo di temperatura indicato nel Capitolo 10 e l'aria dal compressore è conforme ai requisiti del Capitolo 1.1. Il CAP Conditioner rimuove la nebbia d'olio, gli odori e i sapori. Alla stazione di filtraggio si possono collegare due utenti.

Il CAP Conditioner non elimina il monossido di carbonio (CO) o il biossido di carbonio (CO₂) dall'aria!

1.1. Requisiti per l'aria compressa fornita dal compressore

- Il CAP Conditioner può essere collegato solo a un compressore che fornisca aria con una concentrazione di ossigeno dal 20% al 22% vol. La concentrazione del biossido di carbonio non deve superare le 500 ppm e la concentrazione del monossido di carbonio non deve superare le 15 ppm.
- La concentrazione massima di acqua nell'aria può essere di 50 mg/m³ alla pressione nominale da 1 a 20 MPa. L'umidità dell'aria fornita deve essere controllata per evitare il congelamento dell'unità.

2. Limitazioni d'uso

Prima di utilizzare il sistema, l'utente deve acquisire la massima familiarità con i possibili rischi sul luogo di lavoro ed essere pienamente informato sull'uso sicuro dei dispositivi di protezione personale. In caso di dubbi, contattare il produttore o il distributore locale. I sistemi ad aria compressa CleanAIR® Pressure devono essere utilizzati esclusivamente con copricapo protettivi CleanAIR® o maschera integrale Shigematsu GX02 [CA Pressure For Mask]. Pertanto leggere il presente manuale insieme al manuale utente dei copricapo CleanAIR® o al manuale utente della Shigematsu GX02 [CA Pressure For Mask].

Leggere attentamente il presente manuale e seguire le sue istruzioni!

- L'utente deve aver compreso interamente le istruzioni.
- Durante un lavoro faticoso, se la respirazione dell'utente diventa troppo intensa, la pressione positiva all'interno del cappuccio può calare e causare una riduzione del fattore di protezione.
- L'uso di aria arricchita di ossigeno e di ossigeno è vietato nel sistema CleanAIR® per via del rischio di esplosione.
- Il sistema può essere utilizzato in ambienti con una bassa probabilità di danno al tubo di alimentazione e laddove i movimenti dell'utente non sono limitati.
- Se, in aggiunta a CleanAIR®, si collega all'alimentazione di aria compressa un altro accessorio (ad es. una pistola di spruzzaggio), l'utente deve accertarsi che vi sia una portata sufficiente verso il cappuccio, anche al massimo consumo di aria del suddetto accessorio.

- Se l'unità viene utilizzata in ambienti con temperature elevate, il tubo di alimentazione deve essere resistente a tali effetti.
- L'uso dell'unità in ambienti esplosivi è vietato.
- Prima di ogni uso dell'unità, verificare che la portata sia superiore al valore minimo specificato nei parametri tecnici.
- Se l'unità arresta l'alimentazione d'aria per qualsiasi motivo, l'utente deve uscire immediatamente dall'area contaminata.
- Se utilizzata in combinazione con un caschetto per saldature, con un caschetto di sicurezza o con una maschera, l'unità non è consigliabile per gli utenti con barba o capelli lunghi che si estendono nella zona respiratoria.
- Prestare attenzione ad una concentrazione di CO₂ superiore nell'alimentazione dell'aria, la quale si può verificare se il compressore non funziona correttamente quando l'olio lubrificante brucia per via delle alte temperature.
- La pressione dell'aria di alimentazione deve essere compresa tra 400 e 1000 kPa.
- La fonte dell'aria deve essere dotata di una valvola di sicurezza per garantire che la pressione d'ingresso non venga superata.
- I tubi della pressione di alimentazione possono essere collocati solo nelle aree del luogo di lavoro in cui non possono essere danneggiati.
- I tubi di mandata per CA Pressure [Flow Master / For Mask] e CAP Conditioner, n° d'ordine 61 00 30 e 61 00 46, non sono antistatici e la massima temperatura cui possono resistere senza danni è di 70 °C.
- La lunghezza massima del tubo di mandata dalla distribuzione di aria compressa o CAP Conditioner all'unità non deve superare i 10 m; ciò è valido solo per le combinazioni di prodotti con il livello di protezione 1A - 4A. Per le combinazioni di prodotti nella classe 1B - 4B, la lunghezza del tubo di alimentazione è illimitata.
- L'intervallo di temperatura consigliato per l'uso è tra 10 e 40 °C; a temperature inferiori, l'uso del cappuccio protettivo o della maschera con alimentazione d'aria può essere sgradevole.
- Per il CA Pressure [Flow Master / For Mask] è necessario fornire aria respirabile secondo la norma EN 12021.
- Il CA Pressure [Flow Master / For Mask] può essere combinato con i tipi di parti di testa mostrati nelle immagini sulla copertina del manuale. Le immagini mostrano anche le classi delle rispettive combinazioni.
- Le informazioni sulle parti della testa sono riportate nelle istruzioni su come utilizzare le parti della testa CA.
- Se si utilizza un CA Pressure For Mask, si deve collocare un idoneo filtro a due filetti 50 02 48 o 50 02 68 (a seconda dei contaminanti circostanti) tra l'unità e la maschera. Questo concetto consente di respirare in sicurezza durante la possibile evacuazione quando la fonte di pressione smette di funzionare.

Se uno dei principi indicati in questo manuale non viene seguito, la garanzia viene invalidata.

3. Disimballaggio / montaggio / uso e funzioni

3.1. Disimballaggio del CA Pressure

Verificare che la fornitura sia completa e che non ci siano stati danni durante il trasporto.

Contenuto del CA Pressure (63 00 00), CA Pressure Flow Master (67 00 00)

Unità CleanAIR® Pressure (Flow Master)	1 pz.
Cinghia per l'unità	1 pc
Indicatore flusso d'aria	1 pz.
Manuale utente	1 pz.

Contenuto del CA Pressure For Mask (65 00 00)

Unità CleanAIR® Pressure For Mask	1 pz.
Filtro P3 a due filetti	1 pz.
Cinghia per l'unità	1 pz.
Indicatore di portata	1 pz.
Manuale utente	1 pz.

Contenuto del CA Pressure Conditioner (61 00 50)

Unità CA Pressure Conditioner	1 pz.
Supporto unità	1 pz.
Viti per il collegamento dell'unità al supporto	2 pz.
Guarnizione	4 pz.
Istruzioni per l'uso	1 pz.

3.2. Montaggio del CAP Conditioner (61 00 50)

Avvitare il contenitore (CAP Conditioner) sul supporto; per la procedura consultare le immagini allegata.

3.3. Montaggio - CA Pressure (Flow Master / For Mask)

- Verificare che tutti i componenti siano in buone condizioni, cioè senza danni evidenti.
- Collegare il CAP Conditioner al sistema di distribuzione dell'aria compressa o direttamente al compressore. Se non si utilizza il CAP Pressure Conditioner, l'alimentazione di aria compressa viene collegata direttamente alla CA Pressure (Flow Master / For Mask).
- Collegare l'unità alla cinghia e collegare il tubo di mandata a essa.
- Utilizzando il raccordo rapido, collegare il tubo di mandata dalla fonte di aria compressa all'unità CA Pressure.

4. Prima dell'uso

4.1. Verifica prima dell'uso

Verificare prima di ogni uso:

- che le singole parti, in particolare il tubo dell'aria e gli elementi di tenuta, siano privi di danni evidenti,
- che il tubo sia montato correttamente all'unità e al connettore della parte di testa,
- che la pressione dell'aria nel sistema di distribuzione sia compresa nell'intervallo da 400 a 1000 kPa sia per il CA Pressure Flow Master sia per la maschera o nell'intervallo da 300 a 1000 kPa in caso di unità CA Pressure,
- che il flusso d'aria sia conforme a quanto indicato nel Capitolo 4.2 - la portata minima consentita è di 170 l/m,
- che l'aria sia alimentata dalla parte di testa.

4.2. Prova della portata (CA Pressure / CA Pressure Flow Master / CA Pressure For Mask)

Tutte le unità CA Pressure sono pre-regolate a una portata di 170 l/m. In fase di misurazione della portata, seguire le istruzioni nel manuale allegato all'indicatore di portata. Se la portata è diversa, procedere come segue:

1. Tirare la manopola di controllo, si udirà un clic (vedere immagini allegata).
2. Per impostare la portata ottimale, ruotare la manopola di controllo in senso antiorario (vedere immagini allegata). Per verificare la portata, collegare l'indicatore di portata.
3. Premere la manopola di controllo, si udirà un clic (vedere immagini allegata).

AVVERTENZA! La portata non deve scendere sotto i 160 l/m.

5. Manutenzione e pulizia

CA Pressure / CA Pressure Flow Master / CA Pressure For Mask

Al termine di ogni lavoro si consiglia di pulire l'unità CA Pressure, verificare le singole parti e sostituire quelle danneggiate.

- La pulizia deve essere svolta in una stanza ben ventilata. Evitare di inalare polveri dannose depositate su singole parti dell'unità e accessori.
- Non è consentito utilizzare agenti di pulizia contenenti solventi o abrasivi. Si consigliano i comuni detergenti.
- Il tubo dell'aria può essere lavato con acqua pulita.
- Per la pulizia utilizzare un panno umido. Dopo la pulizia ogni parte deve essere asciugata.

CA Pressure Conditioner

- Una volta alla settimana, drenare la condensa dal fondo del contenitore utilizzando la valvola di scarico situata sul fondo. Prima di questa operazione, si consiglia di scollegare l'unità dall'alimentazione di aria compressa.
- Sostituire il filtro almeno una volta ogni tre mesi. Dopo questo periodo, virus e batteri potrebbero proliferare nel filtro dell'unità e se utilizzata regolarmente, la capacità di assorbimento del carbone attivo, che elimina gli odori, può esaurirsi (se l'aria che fuoriesce dal CA Pressure Conditioner ha un odore particolare, sostituire il filtro immediatamente).
- Quando si sostituisce il filtro, pulire la parte interna del contenitore con un panno asciutto e un detergente comune.

Sostituzione del filtro CAP Conditioner (vedere le immagini allegata)

- Svitare la parte superiore del contenitore CAP Conditioner (6 viti a brugola).
- Rimuovere il filtro contaminato, pulire l'interno del contenitore.
- Verificare la condizione della guarnizione di gomma nella copertura superiore. Se la guarnizione è danneggiata, sostituirla.
- Installare un nuovo filtro, montare la copertura del contenitore e riavvitarla.
- Verificare l'eventuale presenza di perdite dal contenitore. Se il contenitore non è perfettamente a tenuta, serrare tutte le viti che stringono il coperchio superiore.

6. Conservazione

Tutti i componenti dei sistemi CleanAIR® devono essere conservati in ambienti con temperature comprese fra 0 °C e 40 °C con umidità relativa dell'aria compressa tra il 20% e l'80%. Il tempo di conservazione nei contenitori chiusi è di massimo 2 anni.

7. Garanzia

La garanzia per i difetti di produzione è di 12 mesi dalla data di vendita al cliente. Si deve inoltrare una richiesta alla ditta venditrice inviando la prova d'acquisto (fattura o bolla di consegna).

La garanzia non copre i difetti causati da una sostituzione tardiva del filtro o dall'uso di un filtro danneggiato dalla pulizia o dal soffiaggio.

8. Possibili guasti

Se si dovessero verificare guasti, ad es. una riduzione o un aumento improvvisi dell'alimentazione d'aria, è necessario abbandonare il luogo di lavoro e controllare quanto segue:

- che l'unità sia montata correttamente;
- le condizioni del filtro nel CA Pressure Conditioner;
- che il tubo dell'aria non sia danneggiato;
- che il silenziatore in CA Pressure / CA Pressure Flow Master / CA Pressure For Mask non sia intasato;
- che la guarnizione a tenuta frontale del cappuccio protettivo o maschera sia in buone condizioni.

L'UNITÀ NON EROGA UNA QUANTITÀ SUFFICIENTE DI ARIA	
Probabile causa	Raccomandazione
Il tubo o condotto dell'aria è ostruito.	Verificare e rimuovere il possibile ostacolo.
Ci sono delle perdite di aria.	Verificare tutti gli elementi di tenuta e i collegamenti; verificare che il tubo dell'aria non sia danneggiato e non presenti perdite.
Il silenziatore è intasato.	Sostituire il silenziatore del CA Pressure.
Il filtro nel CA Conditioner è intasato.	Sostituire il filtro.

L'UNITÀ NON FUNZIONA AFFATTO	
Probabile causa	Raccomandazione
Problema di alimentazione dell'aria compressa. Danno al tubo.	Verificare la fonte dell'aria compressa.
	Verificare che i tubi di collegamento non siano danneggiati.
	Inviare l'unità ad un'assistenza autorizzata.

9. Dati tecnici

CA Pressure	Pressure	Pressure Flow Master	Pressure For Mask
Portata minima	170 l/m	170 l/m	170 l/m
Portata massima	400 l/m	250 l/m	400 l/m
Peso dell'unità	250 g	280 g	630 g (compreso il filtro)
Collegamento d'ingresso	Compatibile con la serie RECTUS 25, 26 e CEJN320.		
Collegamento di uscita	CA40x1/7"		MINI DN 5
Livello di rumorosità dell'unità	61 dB	61 dB	61 dB
Girovita	60 – 150 cm	60 – 150 cm	60 – 150 cm
Intervallo pressione di alimentazione	300 – 1000 kPa	400 – 1000 kPa	400 – 1000 kPa
Intervallo di temperatura in esercizio	da +10 a +60 °C	da +10 a +60 °C	da +10 a +60 °C
Intervallo di umidità dell'aria sul luogo di lavoro	da 20% a 80% u.r.	da 20% a 80% u.r.	da 20% a 80% u.r.
Certificazione	EN 14594 Classe 2A	EN 14594 Classe 3B	EN 14594 Classe 4B

CleanAIR® Pressure Conditioner	
Portata massima	500 l/m
Peso senza filtro	6300 g
Peso con filtro	6800 g
Collegamento d'ingresso	Compatibile con la serie RECTUS 25, 26 e CEJN320.
Collegamento di uscita	Compatibile con la serie RECTUS 25, 26 e CEJN320.
Intervallo di temperatura consigliato in esercizio	da +10 a +60 °C
Intervallo raccomandato di umidità dell'aria sul luogo di lavoro	da 20% a 80% u.r.
Certificazione	Conforme con EN 12021, salvo il rispetto dei requisiti della TP-610050-1.

10. Approvazione, Certificazione

I sistemi ad aria compressa CleanAIR® Pressure sono collaudati e approvati in conformità con i requisiti della normativa europea EN 14594:2005 per l'uso con cappucci protettivi CleanAIR® o maschere protettive CleanAIR®. Tutte le parti del sistema utilizzate devono essere approvate dal produttore e utilizzate in conformità con le istruzioni riportate nel presente manuale utente.

Ente accreditato per le prove CE:

Výzkumný ústav bezpečnosti práce, v.v.i. – ZL
Testing Laboratory No. 1024, Jeruzalémská 9, 116 52 Praha 1
Authorized Body 235 | Notified Body 1024

11. Elenco dei ricambi

CleanAIR® Pressure (Flow Master)	
N. d'ordine:	Descrizione:
63 00 00	CA Pressure + cinghia
67 00 00	CA Pressure Flow Master + cinghia comfort
61 00 30	Tubo standard da 10 m per CAP
61 00 31	Tubo antistatico da 10 m per CAP
61 00 38	Tubo standard da 25 m per CAP
61 00 39	Tubo standard da 50 m per CAP
61 00 46	Tubo a spirale da 10 m per CAP, resistente alle forze meccaniche - mod.
63 00 10	Silenziatore
70 00 60	Tubo flessibile leggero CA40x1/7" - CA40x1/7"
70 00 86CA	Tubo di gomma CA40x1/7" - CA40x1/7"
70 00 95	Cinghia per CA Pressure da 155 cm
71 00 93	Cinghia imbottita comfort
72 00 93	Cinghia di pelle comfort
70 00 90RD	Indicatore di portata

CleanAIR® Pressure For Mask	
N. d'ordine:	Descrizione:
65 00 00PC	CA Pressure For Mask, set completo con cintura confort
65 00 00PD	CA Pressure For Mask, set completo con cintura decontaminabile
61 00 30	Tubo standard da 10 m per CAP
61 00 31	Tubo antistatico da 10 m per CAP
61 00 38	Tubo standard da 25 m per CAP
61 00 39	Tubo standard da 50 m per CAP
61 00 46	Tubo a spirale da 10 m per CAP, resistente alle forze meccaniche - mod.
70 00 90RD	Indicatore di portata
70 00 60	Tubo flessibile leggero CA40x1/7" - CA40x1/7"
70 00 86CA	Tubo di gomma CA40x1/7" - CA40x1/7"
50 02 48	Filtro P3, con due filetti RD40x1/7"
50 02 68	Filtro A2B2E2K2P3, con due filetti RD40x1/7"

CleanAIR® Pressure Conditioner	
N. d'ordine:	Descrizione:
61 00 50	CleanAIR® Pressure Conditioner
61 00 10	Filtro per CleanAIR® Pressure Conditioner
61 00 24	CleanAIR® Pressure Conditioner - guarnizione O-ring 139x3 mm
61 00 28	CleanAIR® Pressure Conditioner - guarnizione O-ring 30x4 mm

Viktig

For egen sikkerhet, les og husk følgende instruksjoner før bruk. Kontakt produsenten eller din distributør ved eventuelle spørsmål.

Ta vare på manualen for fremtidig bruk. Trykkluftenheten bør kun brukes for formålene oppført i denne manualen.

1. Introduksjon

Trykkluftledningssystemet CleanAIR® Pressure er systemer for personlig åndedrettsvern basert på overtrykksprinsippet med kontinuerlig filtrert luft i pustesonen (pusteapparat med kontinuerlig strømmende trykkluft). Luften hentes fra en trykkluftkilde (kompressor eller luftledningssystem) og levert til CA Pressure/CA Pressure Flow Master/CA Pressure For Mask system, som regulerer luftstrømmen avgitt gjennom en luftslange til en vernemaske eller -hette. Overtrykket forhindrer kontaminanter fra å komme inn i pustesonen. Dette milde overtrykket sørger samtidig for brukerens komfort, selv under lang tids bruk, da brukeren ikke må anstrenge seg i pusting for å overvinne motstanden i filteret.

CleanAIR® Pressure er ikke det eneste systemet utstyrt med en trykkmåler og en varslingsfløyte, både CleanAIR® Pressure Flow Master og CleanAIR® Pressure For Mask leveres med samme funksjon, som advarer brukeren hvis inntakstrykket faller under den nedre grensen for driftstrykk. Luften levert direkte fra kompressoren eller luftledningssystemet må være hygienisk ren og overholde standarden EN 12021. Hvis luften ikke overholder dette kravet, må CA Pressure Conditioner [CAP Conditioner] monteres mellom CA Pressure/CA Pressure Flow Master/CA Pressure For Mask og trykkluftkilden!

Luftkvaliteten ved uttaket for CA Pressure Conditioner samsvarer med EN 12021 hvis den brukes innenfor temperaturområdet oppgitt i kapittel 10 og luften fra kompressoren samsvarer med kravene i kapittel 1.1. CAP Conditioner fjerner oljetåke, lukter og aromaer. Det kan være to brukere koblet til filterstasjonen.

CAP Conditioner fjerner ikke karbonmonoksid (CO) eller karbondioksid (CO₂) fra luften!!!

1.1. Krav for trykkluft levert fra kompressoren

- CAP Conditioner kan kun kobles til kompressor som leverer luft med en oksygenkonsentrasjon på 20 % til 22 % vol. Karbondioksidkonsentrasjonen må ikke overstige 500 ppm, og karbonmonoksidkonsentrasjonen må ikke overskride 15 ppm.
- Maksimumskonsentrasjonen av vann i luften kan være 50 mg/m³ ved nominelt trykk på 1 til 20 MPa. Fuktigheten i den leverte luften må være kontrollert for å forhindre at enheten fryser.

2. Bruksbegrensninger

Før systemet brukes, må brukeren gjøre seg kjent med mulige risikoer på arbeidsplassen, og være fullt informert om sikker bruk av personlig beskyttelsesutstyr. Kontakt produsenten eller din distributør hvis det er noen tvil. Trykkluftsystemer CleanAIR® Pressure må kun brukes med CleanAIR® beskyttende hetter eller full ansiktsmaske Shigematsu GX02 [CA Pressure For Mask]. Les derfor denne manualen sammen med brukermanualen for CleanAIR® hetter eller brukermanualen for Shigematsu GX02 [CA Pressure For Mask].

Les denne manualen nøye, og følg instruksjonene i den!!!

- Brukeren må forstå instruksjonene.
- Hvis brukerens åndedrett blir for intenst under anstrengende arbeide, kan det positive trykket i hetten falle, og føre til en reduksjon i beskyttelsesfaktoren.
- Bruk av oksygen-beriket luft og oksygen er forbudt i CleanAIR®-systemet, pga. risikoen for eksplosjon.
- Systemet kan også brukes i miljøer med en liten sannsynlighet for skade på forsyningsslangen, og hvor brukernes bevegelser ikke er begrenset.
- Hvis, i tillegg til CleanAIR®, annet tilbehør (f.eks. en sprøytepistol) er koblet til trykkluftforsyningen, må brukeren sørge for at det er tilstrekkelig luftstrøm til hetten selv ved tilbehørets maksimale luftforbruk.
- Hvis enheten brukes i miljøer med høye temperaturer, må forsyningsslangen være bestandig mot slike effekter.
- Det er forbudt å bruke enheten i eksplosive miljøer.
- Før hver bruk av enheten må det kontrolleres at luftstrømmen er høyere enn minimumsverdien spesifisert i de tekniske parametrene.
- Hvis enheten stopper luffforsyningen, uansett grunn, så må brukeren øyeblikkelig forlate det forurensede området.
- Når kombinert med en sveisehjelm, sikkerhetshjelm eller med en maske, anbefales ikke enheten for brukere med skjøgg eller langt hår som går til pustesonen.

- Vær oppmerksom på en høyere CO₂-konsentrasjon i luffforsyningen, som kan inntreffe hvis kompressoren ikke fungerer korrekt når smøreoljen noen ganger brenner grunnet høye temperaturer.
- Forsyningslufftrykket må være i området mellom 400–1000 kPa.
- Luftkilden må være utstyrt med en sikkerhetsventil for å garantere at inntakstrykket ikke overskrides.
- Forsyningstrykkslangene må kun plasseres på slike områder på arbeidsstedet hvor de ikke kan skades.
- Trykkslanger for CA Pressure (Flow Master/For maske) og CAP Conditioner, bestillingsnr. 61 00 30 og 61 00 46, er ikke antistatiske, og maksimaltemperaturen før de tar skade er 70 °C.
- Maksimal lengde på trykkslange fra trykkluftdistribusjonen eller CAP Conditioner til enheten må ikke overskride 10 m. Dette gjelder kun for kombinasjoner av produkter med beskyttelsesnivå 1A – 4A. For kombinasjoner av produkter i klassen 1B – 4B er lengden på forsyningsslangen ubegrenset.
- Anbefalt temperaturområde for bruk er 10–40 °C. Ved lavere temperaturer kan bruk av vernehette eller maske med luffforsyning være ubehagelig.
- For CA Pressure (Flow Master/for maske) er det nødvendig å levere pusteluft i henhold til EN 12021.
- CA Pressure (Flow Master/for maske) kan kombineres med hodedeltypene vist i bildevedlegget på manualens omslag. Det viser også klassene for de respektive kombinasjonene.
- Informasjon om hodedelene kan finnes i instruksjonene om å bruke CA hodedeler.
- Hvis du bruker en CA Pressure For Mask, må du ha et passende dobbelt-gjenget filter 50 02 48 eller 50 02 68 [avhengig av omgivelses-kontaminanter] mellom enheten og masken. Dette konseptet vil la deg puste trygt under mulig evakuering når trykkilden ikke fungerer.

Hvis noe prinsipp i denne manualen ikke følges, blir garantien erklært ugyldig!

3. Utpakning/Montering/Bruk og funksjoner

3.1. Utpakning av CA Pressure

Kontroller at leveringen er fullstendig, og at ingen skade har inntruffet under transport.

Innhold i CA Pressure (63 00 00), CA Pressure Flow Master (67 00 00):

CleanAIR® Pressure (Flow Master) enhet	1 stk.
Belte for enheten	1 stk.
Luftstrømindikator	1 stk.
Brukermanual	1 stk.

Innholds i CA Pressure For Mask (65 00 00):

CleanAIR® Pressure For Mask enhet	1 stk.
Dobbelt-gjenget P3-filter	1 stk.
Belte for enheten	1 stk.
Luftstrømindikator	1 stk.
Brukermanual	1 stk.

Innhold i CA Pressure Conditioner (61 00 50):

CA Pressure Conditioner-enhet	1 stk.
Enhetsstativ	1 stk.
Skruer for å feste enheten til stativet	2 stk.
Pakning	4 stk.
Brukerinstruksjoner	1 stk.

3.2. Montering av CAP Conditioner (61 00 50)

Skru beholderen [CAP Conditioner] ned på stativet, se bildevedlegg for prosedyre.

3.3. Montering – CA Pressure (Flow Master/For Mask)

- Kontroller at alle komponenter er i god stand, dvs. uten synlig skade.
- Koble CAP Conditioner til system for trykkluftdistribusjon eller direkte til en kompressor. Hvis CA Pressure Conditioner ikke brukes, kobles trykkluftforsyningen direkte til CA Pressure (Flow Master/for maske).
- Fest enheten på beltet ditt og koble til trykkslangen.
- Bruk hurtigkoblingen og koble trykkslangen fra trykkluftkilden til CA Pressure-enheten.

4. Før bruk

4.1. Kontroller før bruk

Kontroll før hver bruk:

- at individuelle deler, spesielt luftslangen og tetningselementer, ikke har noen synlig skade,
- at slangen er festet korrekt til enheten og til hodedelkoblingen,
- at lufttrykket i distribusjonssystemet er i området 400 til 1000 kPa for både CA Pressure Flow Master og for maske, eller i området 300 til 1000 kPa for CA Pressure-enheten,
- luftstrømmen i henhold til kapittel 4.2 – laveste tillatte strømningshastighet er 170 lpm,
- at luften leveres fra hodedelen.

4.2. Luftstrømtest (CA Pressure/CA Pressure Flow Master/CA Pressure For Mask)

Alle CA Pressure-enheter er forhåndsjustert til en luftstrøm på 170 lpm. Følg instruksjonene i manualen som medfølger strømningsindikatoren når luftstrømmen måles. Gå frem som følger hvis luftstrømmen avviker:

1. Dra i kontrollknappen, du vil høre et klikk (se bildevedlegg).
2. For å stille inn optimal luftstrøm roteres kontrollknappen mot urviseren (se bildevedlegg). Du kan koble til strømningsindikatoren for å kontrollere luftstrømmen.
3. Dytte på kontrollknappen, du vil høre et klikk (se bildevedlegg).

ADVARSEL! Luftstrømmen bør ikke falle under 160 lpm!

5. Vedlikehold og rengjøring

CA Pressure/CA Pressure Flow Master/CA Pressure For Mask

Hver gang du avslutter arbeidet, anbefales det å rengjøre CA Pressure-enheten, kontrollere individuelle deler og bytte ut evt. skadde.

- Rengjøring må utføres i et godt ventilert rom. Unngå inhalering av det skadelige støvet som sitter på enhetens individuelle deler og tilbehør!
- Det er ikke tillatt å bruke rengjøringsmidler som inneholder løsemidler eller slipende substanser. Vanlige vaskemidler anbefales.
- Luftslangen kan skylles med rent vann.
- Bruk en fuktig klut for rengjøring Hver del må tørkes etter rengjøring.

CA Pressure Conditioner

- En gang i uken må kondensat dreneres fra beholderbunnen ved hjelp av dreneringsventilen på bunnens side. Før dette gjennomføres, anbefales det å koble enheten fra trykkluftforsyningen.
- Bytt ut filteret minst en gang hver tredje måned. Etter denne perioden kan virus og bakterier forekomme i enhetsfilteret, og hvis brukt jevnlig kan absorpsjonsevnen for det aktive kullet som fjerner lukter være oppbrukt (hvis luften som forlater CA Pressure Conditioner lukter på noen måte, må filteret skiftes ut øyeblikkelig).
- Ved skifting av filteret rengjøres den indre delen av beholderen med en tørr klut og vanlig vaskemiddel.

Skifting av CAP Conditioner-filter (se bildevedlegg)

- Skru løs toppdelen av CAP Conditioner-beholderen (6 inbus-skruer).
- Rengjør det forurensete filteret, tørk innsiden av beholderen.
- Kontroller tilstanden på gummipakningen på toppdekselet. Hvis pakningen er skadet, må den skiftes ut.
- Monter et nytt filter, sett på beholderdekselet og skru det fast.
- Kontroller beholderen for lekkasje. Hvis beholderen ikke er helt tett, strammes alle skruene på toppdekselet.

6. Lagring

Alle komponenter for CleanAIR®-systemer må lagres i rom med temperaturer mellom 0 °C og 40 °C med relativ luftfuktighet mellom 20 % og 80 %. Lagringstiden i lukkede beholdere er maks. 2 år.

7. Garanti

Garantitiden for produksjonsdefekter er 12 måneder fra salgsdato til kunde. Et krav må leveres til salgsorganisasjonen, og salgsbevis (faktura eller følgeseddél) må medfølge.

Garanti dekker ikke defekter forårsaket av sent skifte av filter eller bruk av filter skadet fra rengjøring eller blåsing.

8. Mulige feil

Hvis feil oppstår, f.eks. et brått fall eller brå økning i luftforsyningen, må brukeren forlate arbeidsstedet og deretter kontrollere følgende:

- At enheten er korrekt montert.
- Filtertilstanden i CA Pressure Conditioner.
- At luftslangen ikke er skadet.
- At støydemperen i CA Pressure/CA Pressure Flow Master/CA Pressure For Mask ikke er tilstoppet.
- At ansiktstetningen på en beskyttelseshette eller -maske er i god stand.

ENHETEN LEVERER IKKE TILSTREKKELIG LUFT	
Mulig årsak	Anbefaling
Luftslange eller luftkanal blokkert.	Kontroller og fjern eventuelle hindre.
Luft slipper ut gjennom lekkasjer.	Kontroller alle tetningselementer og koblinger, kontroller at slangen ikke er skadet og ikke lekker.
Støydemperen er tilstoppet.	Skift ut støydemperen i CA Pressure.
Filteret i CA Conditioner er tilstoppet.	Skift filteret.

ENHETEN FUNGERER IKKE I DET HELE TATT	
Mulig årsak	Anbefaling
Svikt i trykkluftforsyningen. Skade på slange.	Kontroller trykkluftkilden.
	Kontroller at forbindelseslanger ikke er skadde.
	Send enheten til autorisert reparasjon.

9. Tekniske data

CA Pressure	Pressure	Pressure Flow Master	Pressure For Mask
Minimal luftstrøm	170 lpm	170 lpm	170 lpm
Maksimal luftstrøm	400 lpm	250 lpm	400 lpm
Enhetens vekt	250 g	280 g	630 g (inkludert filter)
Inntakskobling	Kompatibel med RECTUS-serie 25, 26 og CEJN320.		
Utløpskobling	CA40x1/7"		MINI DN 5
Støynivå for enhet:	61 dB	61 dB	61 dB
Midjestørrelse	60 – 150 cm	60 – 150 cm	60 – 150 cm
Leveringstrykkområde	300 – 1000 kPa	400 – 1000 kPa	400 – 1000 kPa
Temperaturområde på arbeidsplass	+10 til +60 °C	+10 til +60 °C	+10 til +60 °C
Luktfuktighetsområde på arbeidsplass	20 % til 80 % Rh	20 % til 80 % Rh	20 % til 80 % Rh
Sertifisering	EN 14594 klasse 2A	EN 14594 klasse 3B	EN 14594 klasse 4B

CleanAIR® Pressure Conditioner	
Maksimal luftstrøm	500 lpm
Vekt uten filter	6300 g
Vekt inkludert filter	6800 g
Inntakskobling	Kompatibel med RECTUS-serie 25, 26 a CEJN320.
Utløpskobling	Kompatibel med RECTUS-serie 25, 26 a CEJN320.
Anbefalt temperaturområde på arbeidsplassen	+10 til +60 °C
Anbefalt luktfuktighetsområde på arbeidsplassen	20 % til 80 % Rh
Sertifisering	Overholder EN 12021, gitt at kravene i TP-610050-1 er imøtekommet.

10. Godkjenning, sertifisering

Trykkluftsystemer CleanAIR® Pressure er testet og godkjent i samsvar med kravene i europeisk standard EN 14594:2005 for bruk enten med CleanAIR® vernehetter eller CleanAIR® vernemasker. Alle brukte deler i systemet må godkjennes av produsenten og brukes i samsvar med instruksjonene i denne brukermanualen.

Teknisk kontrollorgan for CE-testing: Výzkumný ústav bezpečnosti práce, v.v.i. – ZL
Testing Laboratory No. 1024, Jeruzalémská 9, 116 52 Praha 1
Authorized Body 235 | Notified Body 1024

11. Reservedelsliste

CleanAIR® Pressure (Flow Master)	
Ordrenr.:	Beskrivelse:
63 00 00	CA Pressure + belte
67 00 00	CA Pressure Flow Master + komfortbelte
61 00 30	Standard slange 10 m for CAP
61 00 31	Antistatisk slange 10 m for CAP
61 00 38	Standard slange 25 m for CAP
61 00 39	Standard slange 50 m for CAP
61 00 46	Spiralslange 10 m for CAP, mekanisk sterk – mod.
63 00 10	Støydemper
70 00 60	Lett flexi-slange CA40x1/7" – CA40x1/7"
70 00 86CA	Gummislange CA40x1/7" – CA40x1/7"
70 00 95	Belte for CA Pressure 155 cm
71 00 93	Polstret komfortbelte
72 00 93	Komfortbelte i lær
70 00 90RD	Luftstrømsindikator

CleanAIR® Pressure For Mask	
Ordrenr.:	Beskrivelse:
65 00 00PC	CA Pressure For Mask, komplett sett med komfort belte
65 00 00PD	CA Pressure For Mask, komplett sett med decontaminable belte
61 00 30	Standard slange 10 m for CAP
61 00 31	Antistatisk slange 10 m for CAP
61 00 38	Standard slange 25 m for CAP
61 00 39	Standard slange 50 m for CAP
61 00 46	Spiralslange 10 m for CAP, mekanisk sterk – mod.
70 00 90RD	Luftstrømsindikator
70 00 60	Lett flexi-slange CA40x1/7" – CA40x1/7"
70 00 86CA	Gummislange CA40x1/7" – CA40x1/7"
50 02 48	Filter P3, med dobbeltgjenger RD40x1/7"
50 02 68	Filter A2B2E2K2P3, med dobbeltgjenger RD40x1/7"

CleanAIR® Pressure Conditioner	
Ordrenr.:	Beskrivelse:
61 00 50	CleanAIR® Pressure Conditioner
61 00 10	Filter for CleanAIR® Pressure Conditioner
61 00 24	CleanAIR® Pressure Conditioner – O-ring 139x3 mm
61 00 28	CleanAIR® Pressure Conditioner – O-ring 30x4 mm

Ważne

W celu zapewnienia własnego bezpieczeństwa przed rozpoczęciem użytkowania należy przeczytać i zapamiętać poniższe zalecenia. W przypadku jakichkolwiek pytań należy skontaktować się z producentem lub lokalnym dystrybutorem.

Instrukcję obsługi należy zachować do wykorzystania w przyszłości. Jednostki sprężonego powietrza można używać tylko do celów opisanych w niniejszej instrukcji obsługi.

1. Wstęp

Systemy przewodów sprężonego powietrza CleanAIR® Pressure służą do indywidualnej ochrony dróg oddechowych. Działają w oparciu o zjawisko nadciśnienia, stale dostarczając przefiltrowane powietrze do strefy oddychania (są to aparaty oddechowe oparte na stałym przepływie sprężonego powietrza). Powietrze pobierane jest ze źródła sprężonego powietrza (kompresora lub systemu przewodów powietrza) i dostarczane do regulatora CA Pressure / CA Pressure Flow Master / CA Pressure For Mask, który pozwala dostosować strumień powietrza dostarczanego za pomocą węża pneumatycznego do maski ochronnej lub kaptura. Efekt nadciśnienia zapobiega wniknięciu zanieczyszczeń do strefy oddychania. To umiarkowane nadciśnienie zapewnia jednocześnie komfort obsługi, nawet w trakcie długich okresów użytkowania, ponieważ osoba nosząca aparat nie musi intensywnie oddychać, aby pokonać opór filtra.

CleanAIR® Pressure nie jest jedynym systemem wyposażonym w miernik ciśnienia, za pomocą którego można sprawdzić aktualne ciśnienie wlotowe, oraz gwizdek alarmowy. W tę samą funkcję ostrzegania użytkownika o spadku ciśnienia wlotowego poniżej dolnego limitu ciśnienia operacyjnego wyposażone są również regulatory CleanAIR® Pressure Flow Master oraz CleanAIR® Pressure For Mask. Powietrze dostarczane bezpośrednio z kompresora lub systemu przewodów powietrza musi być higienicznie czyste i zgodne ze standardem EN 12021. Jeżeli jakość powietrza nie spełnia tego wymogu, pomiędzy regulatorem CA Pressure / CA Pressure Flow Master / CA Pressure For Mask a źródłem sprężonego powietrza należy zainstalować system filtrujący CA Pressure Conditioner [CAP Conditioner].

Jakość powietrza przy wylocie systemu filtrującego CA Pressure Conditioner będzie zgodna ze standardem EN 12021 w przypadku stosowania zakresu temperatur opisanego w Rozdziale 10 oraz zgodności powietrza z kompresora z wymogami Rozdziału 1.1. System filtrujący CAP Conditioner usuwa mgłą olejową, zapachy i smaki. Do stacji filtrującej podłączonych może być dwóch użytkowników.

System filtrujący CAP Conditioner nie usuwa z powietrza tlenku węgla (CO) ani dwutlenku węgla (CO₂)!!!

1.1. Wymogi dotyczące sprężonego powietrza dostarczanego z kompresora

- System filtrujący CAP Conditioner można podłączyć jedynie do kompresora dostarczającego powietrze o stężeniu tlenu w zakresie od 20% do 22% objętości. Stężenie dwutlenku węgla nie może przekroczyć 500 ppm, natomiast stężenie tlenku węgla nie może być wyższe niż 15 ppm.
- Maksymalne stężenie wody w powietrzu może wynosić 50 mg/m³ przy ciśnieniu znamionowym od 1 do 20 MPa. Wilgotność dostarczanego powietrza należy kontrolować po to, aby jednostka nie zamrzła.

2. Ograniczenia dotyczące użytkowania

Przed rozpoczęciem korzystania z systemu użytkownik musi w pełni zapoznać się z możliwymi niebezpieczeństwami w miejscu pracy oraz zostać dokładnie poinstruowany na temat bezpiecznego użytkowania środków ochrony osobistej. W przypadku jakichkolwiek wątpliwości należy skontaktować się z producentem lub lokalnym dystrybutorem. Podczas używania systemów przewodów sprężonego powietrza CleanAIR® Pressure należy bezwzględnie nosić osłonę głowy CleanAIR® lub maskę pełnotwarzową Shigematsu GX02 (regulator CA Pressure For Mask). W związku powyższym niniejszą instrukcją obsługi należy czytać w powiązaniu z instrukcją użytkownika osłony głowy CleanAIR® lub instrukcją użytkownika maski Shigematsu GX02 (regulator CA Pressure For Mask).

Uważnie przeczytaj tę instrukcję obsługi i postępuj zgodnie z zawartymi w niej zaleceniami!!!

- Użytkownik musi w pełni zrozumieć te zalecenia.
- Jeżeli podczas ciężkiej pracy oddech użytkownika jest zbyt intensywny, ciśnienie dodatnie wewnątrz kaptura może spaść i obniżyć skuteczność ochrony.
- Stosowanie powietrza wzbogaconego tlenem i tlenu w systemie CleanAIR® jest zabronione z powodu ryzyka eksplozji.

- Systemu można używać wyłącznie w miejscach, w których ryzyko uszkodzenia węża dopływu powietrza jest małe i nic nie ogranicza ruchów użytkownika.
- Jeżeli poza jednostką CleanAIR® do źródła sprężonego powietrza podłączono inne urządzenie (np. pistolet natryskowy), użytkownik musi upewnić się, że do kaptura dostarczany jest odpowiedni strumień powietrza, nawet gdy to urządzenie pobiera powietrze w maksymalnym zakresie.
- W przypadku korzystania z jednostki przy wysokich temperaturach wąż dopływu powietrza musi być odporny na ich działanie.
- Zabrania się stosowania jednostki w miejscach zagrożonych wybuchem.
- Przed użyciem jednostki należy każdorazowo sprawdzić, czy przepływ powietrza jest wyższy niż wartość minimalna określona w specyfikacji technicznej.
- Jeżeli jednostka z dowolnego powodu przestanie pompować powietrze, użytkownik musi bezzwłocznie opuścić skażony obszar.
- Nie zaleca się, aby z jednostki używanej wraz z kaskiem spawalniczym, kaskiem ochronnym lub maską korzyści użytkownicy z brodą lub długimi włosami sięgającymi strefy oddychania.
- Należy uważać na wyższe stężenie CO₂ w dostarczonym powietrzu, które może zaistnieć, jeśli kompresor nie działa poprawnie, gdy olej smarowy płonie z powodu wyższych temperatur.
- Ciśnienie powietrza wlotowego musi mieć wartość w zakresie 400–1000 kPa.
- Źródło powietrza musi być wyposażone w zawór bezpieczeństwa, co uniemożliwia przekroczenia odpowiedniej wartości ciśnienia wlotowego.
- Węże ciśnienia wlotowego powinny znajdować się w takich obszarach stanowiska pracy, w których nie mogą zostać zniszczone.
- Węże ciśnienia w regulatorze CA Pressure (Flow Master/ For Mask) oraz systemie filtrującym CAP Conditioner, nr zamówienia 61 00 30 i 61 00 46, nie są antystatyczne, natomiast maksymalna temperatura, w których można ich używać bez ryzyka uszkodzenia, wynosi 70°C.
- Maksymalna długość węża ciśnienia łączącego punkt dystrybucji sprężonego powietrza lub system filtrujący CAP Conditioner z jednostką nie może przekraczać 10 metrów; odnosi się to wyłącznie do produktów o klasie ochrony 1A–4A. W przypadku produktów o klasie ochrony 1B–4B długość węża jest nieograniczona.
- Zalecany zakres temperatury użytkowania wynosi 10–40°C, przy niższych temperaturach noszenie kaptura ochronnego lub maski z dopływem powietrza może być niekomfortowe.
- Do regulatora CA Pressure (Flow Master / For Mask) należy dostarczać powietrze zdadne do oddychania zgodnie z normą EN 12021.
- Regulator CA Pressure (Flow Master / For Mask) można połączyć z akcesoriami ochrony głowy, które zilustrowano w dodatku graficznym na okładce instrukcji obsługi. Opisano tam również klasy poszczególnych połączeń.
- Informacje na temat akcesoriów ochrony głowy znajdują się w instrukcjach użytkownika akcesoriów ochrony głowy CA.
- W przypadku korzystania z regulatora CA Pressure For Mask pomiędzy nim a maską należy umieścić odpowiedni filtr cząstek z dwoma łącznikami gwintowymi 50 02 48 lub 50 02 68 (w zależności od otaczających substancji zanieczyszczających). Pozwoli to oddychać bezpiecznie podczas ewentualnej ewakuacji, kiedy źródło ciśnienia przestanie działać.

Nieprzestrzeżenie jakiegokolwiek reguły postępowania opisanej w niniejszej instrukcji obsługi spowoduje unieważnienie gwarancji!

3. Rozpakowywanie/ Montaż/ Obsługa i funkcje

3.1. Rozpakowywanie regulatora CA Pressure

Sprawdź, czy przesyłka jest kompletna i że podczas transportu nie doszło do żadnego uszkodzenia.

Zawartość regulatora CA Pressure (63 00 00), regulatora CA Pressure Flow Master (67 00 00):

Regulator CleanAIR® Pressure (Flow Master)	1 sztuka
Pas do jednostki	1 sztuka
Wskaźnik przepływu powietrza	1 sztuka
Instrukcja obsługi	1 sztuka

Zawartość regulatora CA Pressure For Mask (65 00 00):

Regulator CleanAIR® Pressure For Mask	1 sztuka
Filtr cząstek P3 z dwoma łącznikami gwintowymi	1 sztuka
Pas do jednostki	1 sztuka
Wskaźnik przepływu powietrza	1 sztuka
Instrukcja obsługi	1 sztuka

Zawartość systemu filtrującego CA Pressure Conditioner (61 00 50):

System filtrujący CA Pressure Conditioner	1 sztuka
Stojak na jednostkę	1 sztuka
Śruby mocujące jednostkę do stojaka	2 sztuki
Uszczelki	4 sztuki
Instrukcja obsługi	1 sztuka

3.2. Montowanie systemu filtrującego CAP Conditioner (61 00 50)

Przykręć zbiornik [CAP Conditioner] do podstawy; sposób wykonania czynności opisano w dodatku graficznym.

3.3. Montaż — regulator CA Pressure (Flow Master / For Mask)

- Sprawdź, czy wszystkie komponenty są w dobrym stanie, tj. nie ma na nich widocznych uszkodzeń.
- Podłącz system filtrujący CAP Conditioner do systemu dystrybucji sprężonego powietrza lub bezpośrednio do kompresora. Jeżeli system filtrujący CA Pressure Conditioner nie jest używany, źródło skompresowanego powietrza podłączane jest bezpośrednio do regulatora CA Pressure (Flow Master / For Mask).
- Zamontuj jednostkę na pasie i podłącz do niej wąż pneumatyczny.
- Za pomocą szybkozłączki podłącz wąż pneumatyczny ze źródła skompresowanego powietrza do regulatora CA Pressure.

4. Przed użyciem

4.1. Sprawdź przed użyciem

Zawsze przed użyciem sprawdzaj:

- czy poszczególne części, zwłaszcza wąż powietrzny oraz elementy uszczelniające, są wolne od wszelkich widocznych uszkodzeń;
- czy wąż zamontowano poprawnie do jednostki i do łącznika przy akcesorium ochrony głowy;
- ciśnienie powietrza w systemie dystrybucji jest w zakresie od 400 do 1000 kPa w przypadku regulatora CA Pressure Flow Master i CA Pressure For Mask lub w zakresie pomiędzy 300 a 1000 kPa w przypadku regulatora CA Pressure;
- przepływ powietrza zgodnie z Rozdziałem 4.2 — najniższa dozwolona wartość przepływu to 170 lpm;
- czy powietrze jest dostarczane z akcesorium ochrony głowy.

4.2. Test przepływu powietrza (regulatory CA Pressure / CA Pressure Flow Master / CA Pressure For Mask)

Wszystkie regulatory CA Pressure są wstępnie ustawione na przepływ powietrza o wartości 170 lpm. Podczas pomiaru przepływu powietrza należy przestrzegać zaleceń podanych w instrukcji użytkownika dołączonej do wskaźnika przepływu. Jeżeli wartość przepływu jest inna, wykonaj następujące czynności:

1. Pociągnij pokrętkę sterowania, aż usłyszysz kliknięcie [patrz dodatek graficzny].
2. Aby ustawić optymalny przepływ powietrza, przekręć pokrętkę sterowania w kierunku przeciwnym do ruchu wskazówek zegara [patrz dodatek graficzny]. Aby sprawdzić przepływ powietrza, podłącz wskaźnik przepływu.
3. Popchnij pokrętkę sterowania, aż usłyszysz kliknięcie [patrz dodatek graficzny].

UWAGA! Przepływ powietrza nie powinien spaść poniżej 160 lpm!

5. Konserwacja i czyszczenie

Regulatory CA Pressure / CA Pressure Flow Master / CA Pressure For Mask

Każdorazowo po skończeniu pracy zaleca się czyścić regulator CA Pressure, sprawdzając poszczególne części i zastępując te uszkodzone.

- Czyszczenie należy prowadzić w dobrze wentylowanym pomieszczeniu. Unikaj wdychania szkodliwego pyłu, który osadza się na poszczególnych częściach jednostki i akcesoriach!
- Zabronione jest korzystanie ze środków czyszczących zawierających rozpuszczalniki lub mających właściwości ściernie. Zaleca się stosowanie zwykłych detergentów.
- Przewód powietrza można spłukać czystą wodą.
- Czyść, używając wilgotnej szmatki. Każdą wyczyszczoną część należy wytrzeć do sucha.

System filtrujący CA Pressure Conditioner

- Raz w tygodniu osusz kondensat z dna zbiornika za pomocą zaworu osuszającego, który znajduje się w spodniej części. Przed wykonaniem tej czynności należy odłączyć jednostkę od dopływu sprężonego powietrza.
- Wymieniaj filtr co najmniej raz na trzy miesiące. Po tym okresie w filtrze gromadzić się mogą wirusy i bakterie, a jeśli jest używany regularnie, zdolności absorpcyjne węgla aktywnego eliminującego zapachy mogą zaniknąć (jeżeli powietrze wydostające się z systemu filtrującego CA Pressure Conditioner pachnie, należy bezzwłocznie wymienić filtr).
- Podczas wymiany filtra wyczyść wewnętrzne części zbiornika, używając suchej szmatki i zwykłego detergentu.

Wymiana filtra w systemie filtrującym CAP Conditioner (patrz dodatek graficzny)

- Odkręć górną część zbiornika systemu filtrującego CAP Conditioner (6 śrub imbusowych).
- Usuń zanieczyszczony filtr, przetrzyj wewnętrzną część zbiornika.
- Sprawdź stan gumowej uszczelki w pokrywie górnej. Jeżeli uszczelka jest uszkodzona, wymień ją.
- Zainstaluj nowy filtr, załóż pokrywę zbiornika i dokręć ją z powrotem.
- Sprawdź, czy zbiornik nie przecieka. Jeżeli zbiornik nie jest idealnie szczelny, dokręć wszystkie śruby, które mocują pokrywę górną.

6. Przechowywanie

Wszystkie komponenty systemów CleanAIR® należy przechowywać w pomieszczeniach o temperaturze pomiędzy 0°C a 40°C, w których panuje względna wilgotność powietrza na poziomie pomiędzy 20% a 80%. Maksymalny czas przechowywania w zamkniętych zbiornikach to 2 lata.

7. Gwarancja

Gwarancja na wady fabryczne wynosi 12 miesięcy od dnia sprzedaży produktu klientowi. Reklamację należy składać w punkcie zakupu, przedstawiając dowód sprzedaży (faktura lub dowód dostawy).

Gwarancja nie obejmuje usterek spowodowanych przez zbyt późną wymianę filtra lub używanie filtra zniszczonego w wyniku czyszczenia lub przedmuchiwania.

8. Ewentualne usterek

W przypadku wystąpienia dowolnej usterki, np. nagłego wzrostu lub spadku objętości dostarczanego powietrza, użytkownik powinien w pierwszej kolejności opuścić stanowisko pracy, a następnie sprawdzić:

- Czy urządzenie zamontowano poprawnie.
- Stan filtra w systemie filtrującym CA Pressure Conditioner.
- Czy wąż pneumatyczny nie jest zniszczony.
- Czy tłumik hałasu w regulatorach CA Pressure / CA Pressure Flow Master / CA Pressure For Mask nie jest zatkany.
- Czy uszczelnienie czołowe na kapturze ochronnym lub masce jest w dobrym stanie.

JEDNOSTKA NIE DOSTARCZA ODPOWIEDNIEJ OBJĘTOŚCI POWIETRZA	
Prawdopodobna przyczyna	Zalecenia
Wąż pneumatyczny lub przewód powietrzny są zablokowane.	Sprawdź i usuń możliwą przeszkodę.
Powietrze ucieka przez szczeliny.	Sprawdź wszystkie elementy uszczelniające i punkty połączeń; upewnij się, że wąż nie jest zniszczony i nie przecieka.
Tłumik hałasu jest zatkany.	Wymień tłumik hałasu w regulatorze CA Pressure.
Filtr w systemie filtrującym CA Conditioner jest zatkany.	Wymień filtr.

JEDNOSTKA W OGÓLE NIE DZIAŁA	
Prawdopodobna przyczyna	Zalecenia
Awaria dopływu sprężonego powietrza. Uszkodzenie węża.	Sprawdź źródło sprężonego powietrza.
	Upewnij się, że węże przyłączeniowe nie są zniszczone.
	Prześlij jednostkę do autoryzowanego serwisu.

9. Specyfikacja techniczna

Regulator CA Pressure	Regulator Pressure	Regulator Pressure Flow Master	Regulator Pressure For Mask
Maksymalny przepływ powietrza	170 lpm	170 lpm	170 lpm
Maksymalny przepływ powietrza	400 lpm	250 lpm	400 lpm
Masa urządzenia	250 g	280 g	630 g (z filtrem)
Przylącze wlotowe	Zgodne ze złączem RECTUS seria 25, 26 i CEJN320		
Przylącze wylotowe	CA40x1/7"		MINI DN 5
Poziom hałasu emitowanego przez urządzenie	61 dB	61 dB	61 dB
Obwód pasa	60–150 cm	60–150 cm	60–150 cm
Zakres ciśnienia wlotowego	300–1000 kPa	400–1000 kPa	400–1000 kPa
Zakres temperatury podczas pracy	od +10 do +60°C	od +10 do +60°C	od +10 do +60°C
Zakres wilgotności powietrza w miejscu pracy	20% do 80% wilgotności względnej	20% do 80% wilgotności względnej	20% do 80% wilgotności względnej
Certyfikacja	EN 14594 Klasa 2A	EN 14594 Klasa 3B	EN 14594 Klasa 4B

System filtrujący CleanAIR® Pressure Conditioner	
Maksymalny przepływ powietrza	500 lpm
Masa bez filtra	6300 g
Masa z filtrem	6800 g
Przylącze wlotowe	Zgodne ze złączem RECTUS seria 25, 26 oraz CEJN320.
Przylącze wylotowe	Zgodne ze złączem RECTUS seria 25, 26 oraz CEJN320.
Zalecany zakres temperatury pracy	od +10 do +60°C
Zalecany zakres wilgotności powietrza w miejscu pracy	20% do 80% wilgotności względnej
Certyfikacja	Zgodna z normą EN 12021, z zastrzeżeniem spełnienia wymogów TP-610050-1.

10. Zatwierdzenie do użytku, Certyfikacja

Systemy przewodów sprężonego powietrza CleanAIR® Pressure zostały przetestowane zgodnie z wymogami europejskiego standardu EN 14594:2005 i zatwierdzono je do użytku z kapturami ochronnymi CleanAIR® lub maskami ochronnymi CleanAIR®. Wszystkie części systemu muszą zostać zatwierdzone przez producenta i należy używać ich zgodnie z instrukcjami podanymi w niniejszej instrukcji obsługi.

Jednostka przeprowadzająca certyfikację CE: Výzkumný ústav bezpečnosti práce, v.v.i. – ZL
Laboratorium badawcze nr 1024, Jeruzalémská 9, 116 52 Praha 1
Authorized Body 235 | Notified Body 1024

11. Lista części zamiennych

Regulator CleanAIR® Pressure (Flow Master)	
Nr zamówienia:	Opis:
63 00 00	Regulator CA Pressure + pas
67 00 00	Regulator CA Pressure Flow Master + pas nośny
61 00 30	Wąż standardowy 10 metrowy do systemu CAP
61 00 31	Wąż antystatyczny 10 metrowy do systemu CAP
61 00 38	Wąż standardowy 25 metrowy do systemu CAP
61 00 39	Wąż standardowy 50 metrowy do systemu CAP
61 00 46	Wąż spiralny 10 metrowy do systemu CAP, mechanicznie odporny — mod.
63 00 10	Tłumik hałasu
70 00 60	Lekki wąż elastyczny CA40x1/7" – CA40x1/7"
70 00 86CA	Wąż gumowy CA40x1/7" – CA40x1/7"
70 00 95	Pas do regulatora CA Pressure 155 cm
71 00 93	Wyściełany pas nośny
72 00 93	Skórzany pas nośny
70 00 90RD	Wskaźnik przepływu powietrza

Regulator CleanAIR® Pressure For Mask	
Nr zamówienia:	Opis:
65 00 00PC	Regulator CA Pressure For Mask, kompletny zestaw z komfortem pasa
65 00 00PD	Regulator CA Pressure For Mask, kompletny zestaw z decontaminable pasa
61 00 30	Wąż standardowy 10 metrowy do systemu CAP
61 00 31	Wąż antystatyczny 10 metrowy do systemu CAP
61 00 38	Wąż standardowy 25 metrowy do systemu CAP
61 00 39	Wąż standardowy 50 metrowy do systemu CAP
61 00 46	Wąż spiralny 10 metrowy do systemu CAP, mechanicznie odporny — mod.
70 00 90RD	Wskaźnik przepływu powietrza
70 00 60	Lekki wąż elastyczny CA40x1/7" – CA40x1/7"
70 00 86CA	Wąż gumowy CA40x1/7" – CA40x1/7"
50 02 48	Filtr cząstek P3 z dwoma łącznikami gwintowymi RD40x1/7"
50 02 68	Filtr cząstek A2B2E2K2P3 z dwoma łącznikami gwintowymi RD40x1/7"

System filtrujący CleanAIR® Pressure Conditioner	
Nr zamówienia:	Opis:
61 00 50	System filtrujący CleanAIR® Pressure Conditioner
61 00 10	Filtr do systemu filtrującego CleanAIR® Pressure Conditioner
61 00 24	System filtrujący CleanAIR® Pressure Conditioner — uszczelka typu o-ring 139x3 mm
61 00 28	System filtrujący CleanAIR® Pressure Conditioner — uszczelka typu o-ring 30x4 mm

Важное примечание!

Пожалуйста, прочтите и запомните следующие инструкции перед использованием данного изделия в целях обеспечения собственной безопасности. В случае возникновения каких-либо вопросов свяжитесь с производителем или местным дистрибьютором.

Сохраните данное руководство для дальнейшего использования. Система подачи сжатого воздуха должна использоваться только для целей, указанных в данном руководстве.

1. Введение

Система подачи сжатого воздуха CleanAIR® Pressure представляет собой систему индивидуальной защиты органов дыхания (СИЗОД), основанную на принципе избыточного давления отфильтрованного воздуха, непрерывно подаваемого в зону дыхания (дыхательные аппараты с непрерывной подачей сжатого воздуха). Воздух подается от источника сжатого воздуха (компрессора или системы подачи сжатого воздуха) к системе CA Pressure / CA Pressure Flow Master / CA Pressure For Mask, которая обеспечивает возможность регулировки потока воздуха, подаваемого через шланг к защитной маске или капюшону. Избыточное давление предотвращает попадание загрязняющих веществ в зону дыхания. Это избыточное давление в то же время обеспечивает комфорт при использовании даже в течение длительных периодов эксплуатации, поскольку пользователю не приходится преодолевать сопротивление фильтра при дыхании.

CleanAIR® Pressure – не единственная система, оснащенная манометром для проверки текущего входного давления и предупреждающим свистком – CleanAIR® Pressure Flow Master и CleanAIR® Pressure For Mask также оснащены данной функцией, которая предупреждает пользователя при достижении нижнего предела рабочего давления на входе. Воздух, подаваемый непосредственно от компрессора или системы подачи сжатого воздуха, должен быть гигиенически чистым и соответствовать требованиям стандарта EN 12021. Если подаваемый воздух не соответствует предъявляемым требованиям, установите CA Pressure Conditioner (CAP Conditioner) между CA Pressure / CA Pressure Flow Master / CA Pressure For Mask и источником подачи сжатого воздуха!

Качество воздуха на выходе из CA Pressure Conditioner соответствует требованиям стандарта EN 12021, если он используется в диапазоне температур, указанных в Главе 10, и воздух от компрессора соответствует требованиям, указанным в Главе 1.1. CAP Conditioner удаляет масляный туман и любые запахи. Один фильтрующий блок может одновременно использоваться двумя пользователями.

CAP Conditioner не удаляет угарный (CO) и углекислый газ (CO₂) из воздуха!!!

1.1. Требования к сжатому воздуху, подаваемому от компрессора

- CAP Conditioner может быть подключен к компрессору, который подает воздух с концентрацией кислорода от 20 до 22 % об. Концентрация углекислого газа не должна превышать 500 частей на миллион, а концентрация угарного газа – 15 частей на миллион.
- Концентрация воды в воздухе не должна превышать 50 мг/м³ при номинальном давлении от 1 до 20 МПа. Влажность подаваемого воздуха должна контролироваться в целях предотвращения замерзания устройства.

2. Эксплуатационные ограничения

Перед использованием данной системы пользователь должен полностью ознакомиться с возможными рисками на рабочем месте и быть полностью проинформированным о безопасном использовании средств индивидуальной защиты. В случае возникновения каких-либо сомнений свяжитесь с производителем или местным дистрибьютором. Система подачи сжатого воздуха CleanAIR® Pressure предназначена для использования исключительно с защитным капюшоном CleanAIR® или полной маской для лица Shigematsu GX02 (CA Pressure For Mask). Поэтому следует прочитать данное руководство вместе с руководством пользователя защитного капюшона CleanAIR® или руководством пользователя полной маски для лица Shigematsu GX02 (CA Pressure For Mask).

Внимательно прочтите данное руководство и следуйте приведенным в нем инструкциям!!!

- Пользователь должен внимательно прочитать и полностью понять данные инструкции.
- Если дыхание пользователя становится слишком интенсивным во время напряженной работы, положительное давление внутри защитного капюшона может упасть, что приведет к уменьшению коэффициента защиты.
- Использование обогащенного кислородом воздуха и чистого кислорода в системе CleanAIR® запрещено из-за опасности взрыва.

- Данная система предназначена для использования только в средах с малой вероятностью повреждения подающего шланга и отсутствием ограничения движений пользователя.
- Если к источнику подачи сжатого воздуха помимо CleanAIR® подключается еще одно устройство (например, пистолет-распылитель), необходимо убедиться в подаче достаточного потока воздуха к защитному капюшону даже при максимальном расходе воздуха соответствующих дополнительных устройств.
- Если данное устройство используется в средах с высокой температурой, подающий шланг должен обладать надлежащей устойчивостью к соответствующим условиям рабочей среды.
- Запрещается использовать данное устройство во взрывоопасных средах.
- Перед каждым использованием устройства необходимо убедиться в том, что поток воздуха превышает минимальное значение, указанное в технических характеристиках.
- Если устройство прекращает подачу воздуха по какой-либо причине, следует немедленно покинуть загрязненную зону.
- При использовании в сочетании со сварочной маской, защитным шлемом или защитной маской устройство не рекомендуется для пользователей с бородой или длинными волосами, которые могут попасть в дыхательную зону.
- Следует остерегаться более высокой концентрации CO₂ в системе подачи воздуха, что может произойти, если компрессор не работает должным образом, когда смазочное масло горит из-за высокой температуры.
- Давление подаваемого воздуха должно находиться в диапазоне от 400 до 1000 кПа.
- Источник подачи сжатого воздуха должен быть оборудован предохранительным клапаном, лимитирующим давление на входе.
- Шланги подачи сжатого воздуха должны быть расположены только в таких местах рабочей зоны, в которых они надежно защищены от повреждений.
- Шланги подачи сжатого воздуха для CA Pressure (Flow Master / For Mask) и CAP Conditioner, номер для заказа 61 00 30 и 61 00 46, не являются антистатическими, и максимальная температура, которую они могут выдерживать без повреждений, составляет 70 °C.
- Максимальная длина шланга подачи сжатого воздуха от распределительной системы или CAP Conditioner до устройства не должна превышать 10 м; это применимо только для комбинаций СИЗОД с уровнем защиты 1A–4A. Для комбинации СИЗОД с уровнем защиты 1B–4B длина подающего шланга не ограничена.
- Рекомендуемый температурный диапазон воздуха рабочей зоне составляет от 10 до 40 °C; при более низких температурах использование защитного капюшона или защитной маски с подачей воздуха может доставлять пользователю определенный дискомфорт.
- К CA Pressure (Flow Master / For Mask) необходимо обеспечить подачу пригодного для дыхания воздуха в соответствии с требованиями стандарта EN 12021.
- CA Pressure (Flow Master / For Mask) можно комбинировать с типами лицевой части СИЗОД, указанными в иллюстрированном приложении на обложке данного руководства. В нем также показан класс защиты соответствующих комбинаций.
- Информация о лицевой части приводится в инструкции по использованию лицевых частей CA.
- При использовании CA Pressure For Mask необходимо поместить подходящий фильтр с двумя потоками 50 02 48 или 50 02 68 (в зависимости от типа загрязняющих веществ в окружающей среде) между устройством и защитной маской. Подобная конструкция обеспечивает надлежащую защиту во время возможной эвакуации при отказе источника подачи сжатого воздуха.

При несоблюдении принципов, изложенных в данном руководстве, гарантия становится недействительной!

3. Распаковка / сборка / использование и функции

3.1. Распаковка CA Pressure

Проверьте комплектацию изделия и убедитесь в отсутствии повреждений, которые могли возникнуть во время транспортировки.

Комплект поставки CA Pressure (63 00 00), CA Pressure Flow Master (67 00 00):

Устройство CleanAIR® Pressure (Flow Master)	1 шт.
Пояс для крепления устройства	1 шт.
Индикатор скорости воздушного потока	1 шт.
Руководство пользователя	1 шт.

Комплект поставки CA Pressure For Mask (65 00 00):

Устройство CleanAIR® Pressure For Mask	1 шт.
Фильтр с двумя потоками P3	1 шт.
Пояс для крепления устройства	1 шт.
Индикатор скорости воздушного потока	1 шт.
Руководство	1 шт.

Комплект поставки CA Pressure Conditioner (61 00 50):

Устройство CA Pressure Conditioner	1 шт.
Стойка	1 шт.
Винты для крепления к стойке	2 шт.
Уплотнение	4 шт.
Руководство пользователя	1 шт.

3.2. Сборка CAP Conditioner (61 00 50)

Прикрутите контейнер (CAP Conditioner) к стойке; надлежащая последовательность действий приводится в иллюстрированном приложении.

3.3. Сборка – CA Pressure (Flow Master / For Mask)

- Убедитесь, что все компоненты находятся в надлежащем состоянии, т.е. без видимых повреждений.
- Подсоедините CAP Conditioner к системе распределения сжатого воздуха или непосредственно к компрессору. Если CA Pressure Conditioner не используется, источник подачи сжатого воздуха подключается напрямую к CA Pressure (Flow Master / For Mask).
- Прикрепите устройство к поясу и подсоедините к нему шланг подачи сжатого воздуха.
- Подсоедините напорный шланг от источника подачи сжатого воздуха к CA Pressure с помощью быстроразъемного соединения.

4. Перед использованием

4.1. Проверка перед использованием

Перед каждым использованием устройства следует убедиться:

- что отдельные части, в частности, шланг подачи сжатого воздуха и уплотнительные элементы, не имеют каких-либо видимых повреждений;
- что шланг надлежащим образом подсоединен к устройству и соответствующему разъему лицевой части;
- что давление в распределении воздуха находится в диапазоне от 400 до 1000 кПа – для CA Pressure Flow Master и For Mask – или в диапазоне от 300 до 1000 кПа – для устройства CA Pressure;
- что поток воздуха соответствует требованиям, приведенным в Главе 4.2 – минимальная допустимая скорость потока составляет 170 л/мин;
- что воздух подается к лицевой части.

4.2. Измерение скорости потока воздуха (CA Pressure / CA Pressure Flow Master / CA Pressure For Mask)

CA Pressure поставляется предварительно настроенным для подачи воздуха со скоростью 170 л/мин. При измерении скорости потока воздуха следуйте инструкциям, приведенным в руководстве пользователя, поставляемом с индикатором скорости воздушного потока. Если скорость потока отличается от указанных значений, выполните следующие действия:

- Потяните ручку управления, при этом должен раздаться щелчок (см. иллюстрированное приложение).
- Поворачивайте ручку управления против часовой стрелки, чтобы установить оптимальный поток воздуха (см. иллюстрированное приложение). Для проверки скорости подачи воздуха можно подключить индикатор скорости воздушного потока.
- Нажмите на регулятор управления, при этом должен раздаться щелчок (см. иллюстрированное приложение).

ПРЕДУПРЕЖДЕНИЕ! Воздушный поток не должен опускаться ниже 160 л/мин!

5. Обслуживание и чистка

CA Pressure / CA Pressure Flow Master / CA Pressure For Mask

После завершения работы рекомендуется выполнить очистку устройства CA Pressure, проверить состояние всех компонентов и заменить поврежденные части.

- Очистка должна осуществляться в хорошо вентилируемом помещении. Следует избегать вдыхания пыли, осевшей на отдельные компоненты устройства и дополнительных принадлежностей!
- Запрещается использовать чистящие средства, содержащие растворители или абразивные материалы. Рекомендуется использовать обычные моющие средства.
- Шланг подачи сжатого воздуха можно промыть чистой водой.
- Используйте влажную ткань для чистки устройства и дополнительных принадлежностей. После очистки следует насухо вытереть все компоненты системы.

CA Pressure Conditioner

- Раз в неделю необходимо сливать конденсат из контейнера с помощью сливного клапана, расположенного в нижней части. Перед выполнением данной операцией рекомендуется отключить устройство от источника подачи сжатого воздуха.
- Замену фильтра следует производить не реже одного раза в три месяца. По истечении этого срока в фильтре могут размножиться вирусы и бактерии, помимо этого при регулярном использовании фильтра поглощающая способность активированного угля может быть исчерпана (если воздух, отводимый из CA Pressure Conditioner имеет какой-либо запах, фильтр подлежит немедленной замене).
- При замене фильтра следует очистить внутреннюю часть контейнера сухой тканью и обычным моющим средством.

Замена фильтра CAP Conditioner (см. иллюстрированное приложение)

- Снимите верхнюю крышку контейнера CAP Conditioner (крепится с помощью 6 винтов с цилиндрической головкой и шестигранным углублением).
- Удалите загрязненный фильтр, протрите внутреннюю поверхность контейнера.
- Проверьте состояние резинового уплотнения верхней крышки. Если уплотнение повреждено, замените его.
- Установить новый фильтр, установите крышку контейнера на место и прикрутите ее с помощью соответствующих винтов.
- Проверьте контейнер на предмет утечки. Если контейнер не герметичен, затяните все винты, которые крепят верхнюю крышку.

6. Хранение

Все компоненты системы CleanAIR® должны храниться в помещении при температуре от 0 до 40 °C и относительной влажности воздуха от 20 до 80 %. Срок хранения в закрытом контейнере составляет не более 2 лет.

7. Гарантия

Гарантия на производственные дефекты составляет 12 месяцев с даты продажи. Претензии предъявляются в адрес организации, осуществившей продажу, при наличии подтверждающего документа (счета-фактуры или товарной накладной).

Гарантия не распространяется, в частности, на дефекты, вызванные несвоевременной заменой фильтра или использованием фильтра, поврежденного при очистке или продувке.

8. Возможные неисправности

При возникновении какой-либо неисправности, например, при внезапном снижении или увеличении подачи воздуха, в первую очередь необходимо покинуть рабочую зону, а затем убедиться:

- что устройство собрано надлежащим образом;
- что фильтр CA Pressure Conditioner находится в надлежащем рабочем состоянии;
- что шланг подачи сжатого воздуха не поврежден;
- что шумоподаватель CA Pressure / CA Pressure Flow Master / CA Pressure For Mask не засорен;
- что уплотнение защитного шлема или маски находится в надлежащем состоянии.

УСТРОЙСТВО НЕ ПОДАЕТ ДОСТАТОЧНОЕ КОЛИЧЕСТВО ВОЗДУХА	
Возможная причина	Рекомендации
Воздушный шланг или воздуховод заблокирован.	Проверить и удалить любые возможные препятствия.
Воздух выходит через неплотности.	Проверить все уплотнительные элементы и соединения; проверить шланг на наличие повреждений и утечек.
Шумоподаватель засорен.	Заменить шумоподаватель в CA Pressure.
Фильтр в CA Conditioner засорен.	Заменить фильтр.

УСТРОЙСТВО НЕ РАБОТАЕТ	
Возможная причина	Рекомендации
Сбой подачи сжатого воздуха. Шланг поврежден.	Проверить источник подачи сжатого воздуха.
	Убедиться, что соединительные шланги не повреждены.
	Отправить устройство в сервисный центр.

9. Технические характеристики

CA Pressure	Pressure	Pressure Flow Master	Pressure For Mask
Минимальный поток воздуха	170 л/мин	170 л/мин	170 л/мин
Максимальный поток воздуха	400 л/мин	250 л/мин	400 л/мин
Вес устройства	250 г	280 г	630 г (с фильтром)
Входное соединение	Совместим с RECTUS серии 25, 26 и CEJN320		
Выходное соединение	CA40x1/7"		MINI DN 5
Уровень звукового давления	61 дБ	61 дБ	61 дБ
Размер талии	60–150 см	60–150 см	60–150 см
Диапазон давления подаваемого воздуха	300–1000 кПа	400–1000 кПа	400–1000 кПа
Диапазон температур на рабочем месте	от +10 до +60 °C	от +10 до +60 °C	от +10 до +60 °C
Диапазон влажности воздуха на рабочем месте	от 20 до 80 % отн. влажности	от 20 до 80 % отн. влажности	от 20 до 80 % отн. влажности
Сертификация	EN 14594, класс 2A	EN 14594, класс 3B	EN 14594, класс 4B

CleanAIR® Pressure Conditioner	
Максимальный поток воздуха	500 л/мин
Вес без фильтра	6300 г
Вес с фильтром	6800 г
Входное соединение	Совместим с RECTUS серии 25, 26 и CEJN320.
Выходное соединение	Совместим с RECTUS серии 25, 26 и CEJN320.
Рекомендуемый диапазон температур на рабочем месте	от +10 до +60 °C
Рекомендуемый диапазон влажности воздуха на рабочем месте	от 20 до 80 % отн. влажности
Сертификация	Соответствует стандарту EN 12021 при условии соблюдения требований TP-610050-1.

10. Утверждение, сертификация

Системы подачи сжатого воздуха CleanAIR® Pressure испытаны и утверждены в соответствии с требованиями стандарта EN 14594:2005 для применения с защитными капюшонами CleanAIR® или защитными масками CleanAIR®. Все компоненты применяемой системы должны быть одобрены производителем и использоваться в соответствии с инструкциями, приведенными в данном руководстве пользователя.

Уполномоченный орган для проверки соответствия требованиям ЕС:

Výzkumný ústav bezpečnosti práce, v.v.i. – ZL
Испытательная лаборатория № 1024, Jeruzalémská 9, 116 52 Praha 1
Authorized Body 235 | Notified Body 1024

11. Список запасных частей

CleanAIR® Pressure (Flow Master)	
Номер для заказа:	Описание:
63 00 00	CA Pressure + пояс
67 00 00	CA Pressure Flow Master + пояс с подбивкой
61 00 30	Стандартный шланг 10 м для CAP
61 00 31	Антистатический шланг 10 м для CAP
61 00 38	Стандартный шланг 25 м для CAP
61 00 39	Стандартный шланг 50 м для CAP
61 00 46	Спиральный шланг 10 м для CAP (армированный)
63 00 10	Шумоподавитель
70 00 60	Легкий гибкий шланг CA40x1/7" – CA40x1/7"
70 00 86CA	Резиновый шланг CA40x1/7" – CA40x1/7"
70 00 95	Пояс для CA Pressure, 155 см
71 00 93	Пояс с подбивкой
72 00 93	Кожаный пояс с подбивкой
70 00 90RD	Индикатор скорости воздушного потока

CleanAIR® Pressure For Mask	
Номер для заказа:	Описание:
65 00 00PC	CA Pressure For Mask, полный комплект с комфортом ремнем
65 00 00PD	CA Pressure For Mask, полный комплект с поясом обеззараживать
61 00 30	Стандартный шланг 10 м для CAP
61 00 31	Антистатический шланг 10 м для CAP
61 00 38	Стандартный шланг 25 м для CAP
61 00 39	Стандартный шланг 50 м для CAP
61 00 46	Спиральный шланг 10 м для CAP (армированный)
70 00 90RD	Индикатор скорости воздушного потока
70 00 60	Легкий гибкий шланг CA40x1/7" – CA40x1/7"
70 00 86CA	Резиновый шланг CA40x1/7" – CA40x1/7"
50 02 48	Фильтр P3 с двумя потоками RD40x1/7"
50 02 68	Фильтр A2B2E2K2P3 с двумя потоками RD40x1/7"

CleanAIR® Pressure Conditioner	
Номер для заказа:	Описание:
61 00 50	CleanAIR® Pressure Conditioner
61 00 10	Фильтр для CleanAIR® Pressure Conditioner
61 00 24	CleanAIR® Pressure Conditioner – уплотнительное кольцо 139x3 мм
61 00 28	CleanAIR® Pressure Conditioner – 30x4

Viktigt

För din säkerhets skull bör du läsa och komma ihåg instruktionerna nedan innan du använder produkten. Om du har frågor, kontakta tillverkaren eller din återförsäljare.

Behåll manualen för framtida referens. Trycklufts-enheten får endast användas för ändamålen som beskrivs i denna manual.

1. Introduktion

Trycksatta andningskällor CleanAIR® Pressure är system för andningsskydd som baseras på principen med övertryck av kontinuerligt tillförd filterad luft i andningsregionen (apparater för kontinuerligt flöde av tryckluft). Luften tas från en tryckluftskälla (kompressor eller central), och levereras till CA Pressure / CA Pressure Flow Master / CA Pressure For Mask-systemet som reglerar luftflödet genom en slang kopplad till en ansiktsmask eller kåpa. Övertrycket förhindrar föroreningar från att komma in i andningsregionen. Det milda övertrycket hjälper på samma gång användaren att andas bekvämt då användaren inte behöver anstränga sig för att andas genom filtret.

CleanAIR® Pressure är inte det enda systemet som är utrustat med en mätare för matningstryck och varningsvissla. Både CleanAIR® Pressure Flow Master- och CleanAIR® Pressure For Mask-enheterna erbjuder samma funktion som varnar om matningstrycket sjunker under minimigränsen. Luften från kompressorn eller centralsystemet måste vara hygieniskt ren och måste följa standarden EN 12021. Om standarden inte följs, kan CA Pressure Conditioner-enheten (CAP Conditioner) installeras mellan CA Pressure / CA Pressure Flow Master / CA Pressure For Mask och luftkällan.

Luftkvaliteten vid utgången på CA Pressure Conditioner följer EN 12021 om den används under förutsättningarna i kapitel 10, och luften från kompressorn klarar kraven i kapitel 1.1. CAP Conditioner-enheten tar bort oljepartiklar, lukter och smaker. Två användare kan anslutas till en filterstation.

CAP Conditioner-enheten tar ej bort kolmonoxid (CO) eller koldioxid (CO₂) från luften.

1.1. Krav för tryckluft från kompressor

- CAP Conditioner-enheten får endast kopplas till kompressor som levererar luft med syrekonzentration på 20 till 22 volympromcent. Koldioxidkoncentrationen får ej överstiga 500 ppm och kolmonoxidkoncentrationen får ej överstiga 15 ppm.
- Maximal tillåten vattenkoncentration i luften är 50 mg/m³ vid arbetstrycket på 1 till 20 MPa. Luftfuktigheten från luftkällan måste kontrolleras för att förhindra frost i enheten.

2. Begränsningar

Innan systemet används måste användaren bli väl förtrogen med möjliga risker på arbetsplatsen och måste vara väl informerad om hur skyddsutrustning används säkert. Om någon ovisshet finns, kontakta tillverkaren eller din lokala återförsäljare. CleanAIR® Pressure-andningskällor får endast användas med CleanAIR®-masker eller den heltäckande masken Shigematsu GX02 (CA Pressure For Mask). Läs därför också manualen för CleanAIR®-maskerna eller Shigematsu GX02 (CA Pressure For Mask).

Läs denna manual noga och följ instruktionerna häri.

- Det är viktigt att användaren förstår dessa instruktioner till fullo.
- Vid hårt fysiskt arbete är det möjligt att användarens andning blir intensiv nog att övertrycket i masken fallerar
- och skydds-faktorn sjunker.
- Syreberikad luft får aldrig användas i CleanAIR®-systemet pga explosionsrisk.
- Systemet får endast användas i miljöer där matningsslangen ej riskerar att skadas och användarens rörlighet ej begränsas.
- Om ett extra tillbehör utöver CleanAIR® ansluts till tryckluftskällan (exempelvis en sprutpistol) måste användaren se till att tillräckligt lufttryck finns tillgängligt även när tillbehöret används maximalt.
- Om enheten används i varma miljöer måste matningsslangen tåla dem.
- Det är förbjudet att använda enheten i explosiva miljöer.
- Före varje användning av enheten måste lufttrycket kontrolleras vara över minsta specificerade värde i de tekniska parametrarna.
- Om enheten av någon anledning slutar matas med luft, måste användaren lämna det förorenade området omedelbart.
- Enheten bör ej användas tillsammans med svetsmask, skyddshjälm eller annan mask om användaren har skägg eller långt hår som sträcker sig till andningsområdet.

- Se upp för en högre CO₂-koncentration från luftkällan, som kan uppstå ifall kompressorn går sönder och bränner smörjolja vid höga temperaturer.
- Matningstrycket måste ligga mellan 400 och 1 000 kPa.
- Luftkällan måste vara utrustad med säkerhetsventil för att garantera att matningstrycket ej överskrids.
- Matningsslangarna får endast dras genom arbetsområdet på så sätt att de inte kan komma till skada.
- Tryckslangar för CA Pressure (Flow Master / For Mask) och CAP Conditioner, ordernummer 61 00 30 och 61 00 46, är ej antistatiska och tål högst 70 °C.
- Tryckslangens längd mellan luftkällan eller CAP Conditioner och enheten får ej överskrida 10 m. Detta gäller endast kombinationer av produkter med skyddsnivå mellan 1A och 4A. För kombinationer av produkter med skyddsnivå mellan 1B och 4B finns ingen begränsning.
- Rekommenderad arbetstemperatur är mellan 10 och 40 °C. Vid lägre temperaturer kan kåpan eller masken bli obekvämt.
- Luften som matas till CA Pressure (Flow Master / For mask) måste vara andningsbar enligt EN 12021.
- CA Pressure (Flow Master / For Mask) kan kombineras med huvuddelarna som visas i bilden på manualens framsida. Bilden visar även skyddsklass för respektive kombinationer.
- Information om huvuddelar finns i deras instruktionsmanualer.
- Om en CA Pressure For Mask används måste ett lämpligt dubbelgångat filter (50 02 48 eller 50 02 68 beroende på föroreningen) användas mellan enheten och masken. Detta kommer att låta dig andas säkert i ett eventuellt nödläge om tryckkällan slutar fungera.

Om någon regel i denna manual ej följs blir garantin ogiltig.

3. Uppackning/Montering/Användning

3.1. Packa upp CA Pressure

Kontrollera att leveransen är komplett och att ingen skada skett under transport.

Innehåll CA Pressure (63 00 00), CA Pressure Flow Master (67 00 00):

CleanAIR® Pressure-enhet (Flow Master)	1 st
Bälte till enheten	1 st
Flödesmätare	1 st
Användarmanual	1 st

Innehåll CA Pressure For Mask (65 00 00):

CleanAIR® Pressure For Mask-enhet	1 st
dubbelgångatP3-filter	1 st
Bälte till enheten	1 st
Flödesmätare	1 st
Användarmanual	1 st

Innehåll CA Pressure Conditioner (61 00 50):

CA Pressure Conditioner-enhet	1 st
Stativ	1 st
Skruvur för att montera enheten på stativ	2 st
Tätningar	4 st
Användarmanual	1 st

3.2. Montera CAP Conditioner (61 00 50)

Skrva behållaren (CAP Conditioner) på stativet. För närmare instruktioner se bild.

3.3. Montera – CA Pressure (Flow Master/For Mask)

- Kontrollera att alla komponenter är i gott skick, dvs. utan synliga skador.
- Anslut CAP Conditioner till tryckluftskällan eller direkt till kompressorn. Om CA Pressure Conditioner inte används ansluts tryckluft direkt till CA Pressure (Flow Master/For Mask).
- Sätt enheten på bältet och anslut matningsslangen.
- Använd snabbkopplingen för att koppla tryckslangen från källan till CA Pressure-enheten.

4. Före användning

4.1. Kontroll före användning

Kontrollera innan varje användning:

- Att individuella delar, speciellt luftslang och tätningar, är oskadade och ej har synliga skador,
- att slangens är väl monterad på enheten och huvuddelens anslutning,
- att lufttrycket i distributionssystemet ligger mellan 400 och 1 000 kPa för både CA Pressure Flow Master och For Mask, eller 300 till 1 000 kPa för CA Pressure-enheten,
- att luftflödet är enligt kapitel 4.2: lägsta tillåtna flöde är 170 lpm,
- att luft matas till huvuddelen.

4.2. Flödestest (CA Pressure / CA Pressure Flow Master / CA Pressure For Mask)

Alla CA Pressure-enheter är förinställda för ett flöde på 170 lpm. Följ instruktionerna i manualen som medföljer flödesmätaren för att mäta luftflöde. Om annat flöde uppmäts:

1. Dra i vredet tills ett klick hörs (se bild).
2. Vrid moturs för att ställa in optimalt luftflöde (se bild). Anslut en flödesmätare för att kontrollera luftflödet.
3. Tryck in vredet igen tills ett klick hörs (se bild).

WARNING! Flödet får aldrig gå under 160 lpm.

5. Underhåll och rengöring

CA Pressure / CA Pressure Flow Master / CA Pressure For Mask

CA Pressure-enheten bör rengöras varje gång efter avslutat arbete, individuella delar inspekteras och trasiga delar bytas.

- Rengöring måste ske i ett väl ventilerat rum. Undvik att andas in skadligt damm som kan ha lagt sig på enheten och dess tillbehör.
- Rengöringsmedel innehållande lösningsmedel eller slipmedel får ej användas. Handdiskmedel rekommenderas.
- Luftslangen kan rengöras med vanligt vatten.
- Rengör med en fuktig trasa. Varje del måste torkas av efter rengöring.

CA Pressure Conditioner

- Kondensbehållaren måste tömmas en gång i veckan via avloppsventilen undertill. Innan du gör detta är det lämpligt att koppla loss enheten från tryckluftskällan.
- Byt filter minst var tredje månad. Efter tre månader kan virus och bakterier föröka sig i filtret och om enheten används regelbundet kan kolfiltret utarmas och lukter ta sig igenom. Om luften från CA Pressure Conditioner luktar måste filtret bytas omedelbart.
- När filtret byts ska insidan av behållaren rengöras med en torr trasa och handdiskmedel.

Ersättning av CAP Conditionerfiltret (se bild)

- Skruva loss toppen av CAP Conditioner-behållaren (6 st insexskruv).
- Ta bort det använda filtret och torka av behållarens insida.
- Kontrollera packningen i toppen. Om den är skadad ska den bytas ut.
- Montera ett nytt filter, sätt tillbaka toppen och skruva fast den.
- Kontrollera att behållaren ej läcker. Om behållaren inte är helt tät drar du åt alla skruvar som håller fast locket.

6. Förvaring

Alla delar av CleanAIR®-systemet måste förvaras i rum som håller temperaturer mellan 0 °C och 40 °C, med luftfuktighet på mellan 20 % och 80 %. Hållbarheten i obruten förpackning är max 2 år.

7. Garanti

Garanti för fabrikationsfel är 12 månader från försäljningsdatum till kund. En reklamtion måste göras med försäljaren och inköpsbevis (faktura eller leveransbekräftelse) måste uppvisas.

Garantin täcker inte specifika fel som uppstår pga. sent byte av filter eller fel som uppkommer efter användning av filter som skadats av rengöring eller urlåsning.

8. Möjliga fel

Om fel uppstår (exempelvis plötslig förändring av lufttryck), är första prioritet att lämna arbetsområdet. Kontrollera sedan följande:

- Att enheten är rätt ihopsatt.
- Att filtret i CA Pressure Conditioner är i gott skick.
- Att luftslangen är hel.
- Att ljuddämparen i CA Pressure/CA Pressure Flow Master/CA Pressure For Mask inte är igentäppt.
- Att ansiktstättningen på kåpa eller mask är i gott skick.

ENHETEN LEVERERAR INTE TILLRÄCKLIGT MED LUFT	
Sannolik anledning	Rekommendation
Slang eller ventil blockerad.	Hitta och avlägsna hindret.
Luftläckor.	Kontrollera alla tätningar och anslutningar. Kontrollera att slangens inte är skadad eller läcker.
Ljuddämparen är blockerad.	Ersätt ljuddämparen i CA Pressure.
Filtret i CA Conditioner är blockerat.	Ersätt filtret.

ENHETEN FUNGERAR INTE ALLS	
Sannolik anledning	Rekommendation
Fel i tryckluftskälla. Slangskada.	Kontrollera tryckluftskällan.
	Kontrollera att slangarna inte är skadade.
	Skicka enheten på service hos auktoriserad fackman.

9. Tekniska data

CA Pressure	Pressure	Pressure Flow Master	Pressure For Mask
Minimalt luftflöde	170 lpm	170 lpm	170 lpm
Maximalt luftflöde	400 lpm	250 lpm	400 lpm
Vikt för enhet	250 g	280 g	630 g (inklusive filter)
Matningsanslutning	Kompatibel med RECTUS-serien 25, 26 och CEJN320		
Utfloppsanslutning	CA40x1/7"		MINI DN 5
Ljudnivå för enhet	61 dB	61 dB	61 dB
Midjemått	60 – 150 cm	60 – 150 cm	60 – 150 cm
Matningstryck	300 – 1 000 kPa	400 – 1 000 kPa	400 – 1 000 kPa
Arbetstemperatur	+10 till +60 °C	+10 till +60 °C	+10 till +60 °C
Relativ luftfuktighet	20 % till 80 % relativ luftfuktighet	20 % till 80 % relativ luftfuktighet	20 % till 80 % relativ luftfuktighet
Certifiering	EN 14594 Klass 2A	EN 14594 Klass 3B	EN 14594 Klass 4B

CleanAIR® Pressure Conditioner	
Maximalt luftflöde	500 lpm
Vikt utan filter	6 300 g
Vikt inklusive filter	6 800 g
Matningsanslutning	Kompatibel med RECTUS-serien 25, 26 och CEJN320.
Utfloppsanslutning	Kompatibel med RECTUS-serien 25, 26 och CEJN320.
Rekommenderad arbetstemperatur	+10 till +60 °C
Rekommenderad luftfuktighet	20 % till 80 % relativ luftfuktighet
Certifiering	Följer EN 12021 så länge kraven i TP-610050-1 möts.

10. Godkännande, certifiering

Trycksatta andningskällor från CleanAIR® Pressure-serien är testade och godkända enligt Europastandard EN 14594:2005 för bruk med CleanAIR®-skyddskåpor eller CleanAIR®-masker. Alla delar i systemet måste godkännas av tillverkaren och användas i enlighet med instruktionerna i denna manual.

Organisation som utfört CE-testning:

Výzkumný ústav bezpečnosti práce, v.v.i. – ZL
Testing Laboratory No. 1024, Jeruzalémská 9, 116 52 Praha 4
Authorized Body 235 | Notified Body 1024

11. Lista över reservdelar

CleanAIR® Pressure (Flow Master)	
Ordernummer:	Beskrivning:
63 00 00	CA Pressure + bälte
67 00 00	CA Pressure Flow Master + komfortbälte
61 00 30	Standardslang 10 m för CAP
61 00 31	Antistatslang 10 m för CAP
61 00 38	Standardslang 25 m för CAP
61 00 39	Standardslang 50 m för CAP
61 00 46	Spiralslang 10 m för CAP, slittålig – mod.
63 00 10	Ljuddämpare
70 00 60	Tunn flexslang CA40x1/7" – CA40x1/7"
70 00 86CA	Gummislang CA40x1/7" – CA40x1/7"
70 00 95	Bälte för CA Pressure 155 cm
71 00 93	Fodrat komfortbälte
72 00 93	Komfortbälte av läder
70 00 90RD	Flödesmätare

CleanAIR® Pressure For Mask	
Ordernummer:	Beskrivning:
65 00 00PC	CA Pressure For Mask, komplett uppsättning med komfort bälte
65 00 00PD	CA Pressure For Mask, komplett uppsättning med dekontaminerbar bälte
61 00 30	Standardslang 10 m för CAP
61 00 31	Antistatslang 10 m för CAP
61 00 38	Standardslang 25 m för CAP
61 00 39	Standardslang 50 m för CAP
61 00 46	Spiralslang 10 m för CAP, slittålig – mod.
70 00 90RD	Flödesmätare
70 00 60	Tunn flexslang CA40x1/7" – CA40x1/7"
70 00 86CA	Gummislang CA40x1/7" – CA40x1/7"
50 02 48	Filter P3, med två gångor RD40x1/7"
50 02 68	Filter A2B2E2K2P3, med två gångor RD40x1/7"

CleanAIR® Pressure Conditioner	
Ordernummer:	Beskrivning:
61 00 50	CleanAIR® Pressure Conditioner
61 00 10	Filter till CleanAIR® Pressure Conditioner
61 00 24	CleanAIR® Pressure Conditioner – O-ringstättning 139x3 mm
61 00 28	CleanAIR® Pressure Conditioner – O-ringstättning 30x4 mm

Önemli

Kullanım öncesinde lütfen kendi güvenliğinizi için aşağıdaki talimatları okuyunuz ve öğreniniz. Herhangi bir sorunuz varsa, lütfen imalatçı veya ürünü satın aldığınız temsilcisi ile irtibata geçiniz. Kullanım kılavuzunu ileride başvurmak için saklayınız. Basınçlı hava hattı sistemi sadece bu kılavuzda belirlenen amaçlar dahilinde kullanılmalıdır.

1. Giriş

Basınçlı hava hattı sistemi CleanAIR® Pressure, solunum alanına kesintisiz olarak filtrelenmiş hava besleyen kişisel solunum koruma sistemleridir (kesintisiz akımlı basınçlı hava solunum aparatları).

Hava, basınçlı hava kaynağından alınır (kompresör veya hava hattı sistemi) ve hava hortumu vasıtasıyla koruyucu maske veya başlığa verilecek hava akışını kontrol etmekte kullanılan CA Pressure / CA Pressure Flow Master / CA Pressure For Mask sistemine iletilir. Basınçlandırma, zararlı maddelerin solunum bölgesine girmesini engeller. Aynı zamanda bu hafif basınç, maskeyi taşıyan kişiye uzun süre kullanımda dahi konfor sağlar, zira nefes alırken filtre direncine karşı mücadele etmesi gerekmez.

CleanAIR® Pressure yanı sıra iki diğer birim CleanAIR® Pressure Flow Master ve CleanAIR® Pressure For Mask da giriş basıncını kontrol etmek için bir basınç ölçer ve basıncın işletim limitinin altına düştüğü durumlarda kullanıcıyı uyararak bir ikaz sistemi ile donatılmıştır.

Kompresörden veya hava hat sisteminden beslenen hava hijyenik açıdan temiz ve EN 12021 standardına uygun olmalıdır. Hava bu gereksinimleri yerine getiriyorsa, CA Pressure / CA Pressure Flow Master / CA Pressure For Mask ile basınçlı hava kaynağı arasında bir CA Pressure Conditioner (CAP Conditioner)!

CA Pressure Conditioner çıkışında hava kalitesi, Madde 10'da belirtilen sıcaklık limitleri dahilinde kullanıldıkça ve kompresörden gelen hava Madde 1.1 gereksinimlerini yerine getirdikçe, EN 12021 standardına uygundur. CAP Conditioner tüm yağ sisini, koku ve tatları giderir. Filtre istasyonuna iki kullanıcı bağlanabilir.

CAP Koşullandırıcı havadan karbonmonoksit (CO) ve karbondiyoksiti (CO₂) gidermez!!!

1.1. Kompresörden Beslenen Basınçlı Hava Gereksinimleri

- CAP Conditioner ancak %20 ila %22 oksijen konsantrasyonunda hava besleyen bir kompresöre bağlanabilir. Karbondiyoksit konsantrasyonu 500 ppm değerini, karbonmonoksit konsantrasyonu 15 ppm değerini aşmamalıdır.
- Havanın içerdiği azami su konsantrasyonu, 1 ila 20 MPa nominal basınçta 50 mg/m³ değerindedir. Beslenen havanın nemliliği, birimin donmasını engellemek için kontrollü olmalıdır.

2. Kullanım için İkazlar ve Kısıtlamalar

Sistemi kullanmadan önce çalışma yerindeki riskler hakkında bilgi sahibi olunmalı ve kişisel koruma ekipmanının güvenli kullanımı konusunda eğitim alınmalıdır. Herhangi bir belirsizlik durumunda lütfen imalatçı veya yerel temsilcisi ile irtibata geçiniz. CleanAIR® Pressure basınçlı hava hat sistemleri sadece CleanAIR® koruyucu başlıkları veya Shigematsu GX02 maskeleri ile kullanılmalıdır (CA Pressure For Mask). Bu yüzden bu kılavuz CleanAIR® başlıkları veya Shigematsu GX02 (CA Pressure For Mask) kullanım kılavuzları ile birlikte okuyunuz.

Bu kılavuzu dikkatle okuyunuz ve içerdiği talimatları yerine getiriniz!!!

- Kullanıcının talimatları bütünüyle kavraması şarttır.
- Yorucu işler esnasında kullanıcının solunumu fazla yoğunlaşırsa, başlığın içindeki pozitif basınç düşebilir ve koruma faktörünün azalmasına yol açabilir.
- CleanAIR® sisteminde oksijen ile zenginleştirilmiş hava ve oksijen kullanımı patlama riski nedeniyle yasaktır.
- Sistem ancak besleme hortumuna hasar oluşma olasılığının düşük olduğu ve kullanıcının hareketinin kısıtlanmamış olduğu ortamlarda kullanılabilir.
- CleanAIR® haricinde başka bir aksesuar basınçlı hava kaynağına bağlıysa (örn. sprey tabancası), kullanıcı, diğer cihazın azami hava kullanımında dahi başlığa yeterli hava akışının sağlandığından emin olmalıdır.
- Birim yüksek sıcaklıktaki ortamlarda kullanılıyorsa, besleme hortumu bu etkilere dayanıklı olmalıdır.

- Patlayıcı ortamlarda kullanılması yasaktır.
- Her kullanım öncesinde, hava akışının teknik parametrelerde belirtilen asgari değerin üzerinde olduğunu kontrol ediniz.
- Cihaz herhangi bir sebepten dolayı hava beslemeyi keserse, kullanıcı kontamine bölgeyi derhal terketmelidir.
- Birimin kaynak kaskı, emniyet kaskı veya maske ile kombinasyonda solunum bölgesine ulaşan sakal veya uzun saç ile kullanılması tavsiye edilmez.
- Kompresör düzgün çalışmadığında yağın yüksek sıcaklıklar sebebiyle yanması sonucu oluşabilecek yüksek CO₂ konsantrasyonuna dikkat ediniz.
- Besleme havası basıncı 400 - 1000 kPa arasında olmalıdır.
- Hava kaynağı basıncın aşılmayacağını garanti edecek bir emniyet valfi ile donatılmış olmalıdır.
- Besleme hortumları çalışma yerinde hasar görmeyecek şekilde yerleştirilmelidir.
- CA Pressure (Flow Master / For Mask) ve CAP Koşullandırıcı için No. 61 00 30 ve 61 00 46 basınç hortumları antistatik değildir ve hasar görmeden korumayı sağladıkları azami sıcaklık 70 °C'dir.
- Basınçlı hava dağıtım sistemi veya CAP Conditioner azami hortum uzunluğu 10 m.'den uzun olmamalıdır; bu, sadece 1A - 4A koruma sınıfında ürünlerin kombinasyonu için geçerlidir. 1B-4B sınıfında ürünlerin kombinasyonunda hortum uzunluğu sınırsızdır.
- Tavsiye edilen kullanım sıcaklıkları 10 ile 40 °C arasındadır, daha düşük ısılarda hava beslemeli koruyucu başlık veya maske kullanımı nahoş olabilir.
- CA Pressure (Flow Master / For Mask) EN 12021 uyarınca solunabilir hava tedarik edilmelidir.
- CA Pressure (Flow Master / For Mask), kılavuzun kapağındaki resimli eklerde gösterilen başlık tipleri ile combine edilebilir. Resimlerde ayrıca ilgili kombinasyonların sınıfları belirtilmiştir.
- Başlık parçaları hakkında bilgi, CA başlık parçaları kılavuzlarında belirtilmiştir.
- CA Pressure For Mask ile çevredeki kirlenici maddelere göre birim ve maske arasında uygun 50 02 48 veya 50 02 68 filtre kullanılmalıdır Bu konsept, basınç kaynağı bozulduğunda tahliye esnasında güvenli şekilde nefes almanızı sağlar.

Bu kılavuzda belirtilen prensiplerin herhangi biri çalışmıyorsa, garanti geçersiz olur!

3. Ambalajı Açma / Montaj / Kullanım ve İşlevler

3.1. CA Pressure Ambalajının Açılması

Tüm parçaların tam olduğunu ve nakliye esnasında hasar oluşmadığını kontrol ediniz.

CA Pressure (63 00 00), CA Pressure Flow Master (67 00 00) içerikleri:

CleanAIR® Pressure (Flow Master) birimi	1 adet
Birimle kullanılan kemer	1 adet
Hava akışı göstergesi	1 adet
Kullanım kılavuzu	1 adet

CA Pressure For Mask (65 00 00) içerikleri:

CleanAIR® Pressure For Mask birimi	1 adet
İkili P3 filtre	1 adet
Birimle kullanılan kemer	1 adet
Hava akışı göstergesi	1 adet
Kullanım kılavuzu	1 adet

CA Pressure Conditioner (61 00 50) içerikleri:

CA Pressure Conditioner birimi	1 adet
Birimi standa	1 adet
Birimi standa bağlamak için civatalar	2 adet
Conta	4 adet
Kullanım Kılavuzu	1 adet

3.2. CAP Conditioner (61 00 50) montajı

Konteyneri (CAP Conditioner) standa vidalayınız, iş adımları için bkz. resim eki 1A.

3.3. Montaj - CA Pressure (Flow Master / For Mask)

- Tüm parçaların iyi durumda ve hasarsız olduğunu kontrol ediniz.
- CAP Koşullandırıcıyı basınçlı hava dağıtım sistemine veya doğrudan kompresöre bağlayınız. CA Basınç Koşullandırıcı kullanılmıyorsa, basınçlı hava doğrudan CA Basınç (Akış Master/Maske) birimine bağlanı.
- Sadece imalatçı tarafından verilen ve standartlara uygun orijinal hortumların kullanılması tavsiye edilir.
- Birimi kemerinize bağlayınız ve basınç hortumunu takınız.
- Hızlı bağlantı kaplinleri kullanarak basınçlı hava kaynağından gelen basınç hortumunu CA Basınç birimine bağlayınız.

4. Kullanım Öncesinde

4.1. Kullanım öncesi kontrol

Her kullanım öncesinde şu kontrolleri yapınız:

- Münferit parçalar, özellikle hava hortumu ve contalarda görülebilir hasar olmadığı
- Hortumun birime ve başlık konektörüne doğru şekilde bağlanmış olduğu.
- Dağıtım sisteminde hava basıncının CA Pressure Flow Master ve For Mask 400 - 1000 kPa; CA Pressure için 300 - 1000 kPa arasında olduğu,
- Hava akışının 4.2. no'lu maddeye uygun olduğu. Müsaade edilen asgari akış değeri 170 lpm,
- Başlık bölümünden hava beslendiği.

4.2. Hava akışı testi (CA Pressure / CA Pressure Flow Master / CA Pressure For Mask)

Tüm CA Pressure birimleri 170 lpm hava akışı değerine ayarlıdır. Hava akışını ölçerken, akış göstergesi kılavuzundaki talimatları yerine getiriniz. Akış değeri farklıysa, aşağıdaki adımları izleyiniz:

1. Kontrol butonunu çekiniz, bir klik sesi duyacaksınız. Bkz. resimli ek.
2. Optimum hava akışını ayarlamak için kontrol butonunu saat yönünde veya saat yönüne karşı çeviriniz (hava akışını kontrol etmek için akış göstergesini bağlayınız). Bkz. resimli ek.
3. Kontrol butonunu bastırınız, bir klik sesi duyacaksınız. Bkz. resimli ek.

UYARI! Hava akışı 160 litre/dakika değerinin altına düşmemelidir!

5. Bakım ve Temizleme

CA Pressure (Flow Master / For Mask)

İşiniz bittikten sonra CA Basınç biriminin temizlenmesi, parçaların kontrol edilmesi ve gerekirse değiştirilmesi tavsiye edilir.

- Temizleme iyi havalandırılan bir odada yapılmalıdır. Birimin münferit parçaları ve aksesuarlardaki zararlı tozu solunmamaya dikkat ediniz!
- Çözücü veya aşındırıcı içeren temizleme maddelerinin kullanılması yasaktır. Normal deterjanlar tavsiye edilir.
- Hava hortumu temiz su ile yıkanabilir.
- Temizleme için nemli bez kullanınız. Her parça temizleme sonrasında kurutulmalıdır.

CA Pressure Conditioner

- Haftada bir alt kısımdaki tahliye vanası yardımıyla konteynerden yoğunlaşma suyunu boşaltınız. Bu işlem öncesinde birimin basınçlı hava kaynağından ayrılması tavsiye edilir.
- Filtreyi en az üç ayda bir değiştiriniz. Bu süre sonrasında birim filtresinde virüs ve bakteriler çoğalabilir ve düzenli kullanılmışsa kokuları gideren aktif karbonun soğurma kapasitesi tükenebilir (Koşullandırıcıdan çıkan hava herhangi bir kokuya sahipse filtreyi hemen değiştiriniz).
- Filtreyi değiştirirken konteynerin içini kuru bir bez veya deterjan ile temizleyiniz.

CAP Koşullandırıcı filtresi yedeği (Bkz. Resimli Ek)

- CAP Conditioner konteynerinin üst kısmını açınız (6 inbus civata).
- Kirli filtreyi çıkarınız, konteynerin içini siliniz.
- Üst kapağın içindeki kauçuk contanın durumunu kontrol ediniz. Conta hasarlıysa değiştiriniz.
- Yeni bir filtre takınız, konteyner kapağını takınız ve vidalayınız.
- Konteynerde kaçak olmadığını kontrol ediniz. Konteynerde sızıntı varsa, üst kapağı tutan civataları sıkınız.

6. Depolama

CleanAIR® sistemlerinin tüm parçaları 0 °C ila 40 °C ısıda ve %20 ila %80 nispi hava nemliliği olan odalarda depolanmalıdır. Orijinal kutusunda depolama süresi en fazla 2 yıldır.

7. Garanti

İmalat hataları için garanti süresi müşteriye satış tarihinden itibaren 12 aydır. Satış organizasyonuna başvuru yapılmalı ve satış tasdiği (fatura veya irsaliye) arz edilmelidir.

Geç değiştirilen filtre veya temizleme veya hava ile temizleme sonucu hasar görmüş filtre kullanımı sonucu oluşan arızalar garantiye dahil değildir.

8. Olası Arızalar

Herhangi bir hata, ani hava besleme artışı veya düşüşü durumunda kullanıcı önce kontamine çalışma alanını terk etmeli, sonra aşağıdakileri kontrol etmelidir:

- Birimin doğru şekilde monte edilmiş olduğu.
- CA Pressure Conditioner filtrenin durumu.
- Hava hortumunun hasarsız olduğu.
- CA Pressure / CA Pressure Flow Master / CA Pressure For Mask gürültü kesicinin tıkalı olmadığı.
- Koruyucu başlık veya maskedeki contanın iyi durumda olduğu.

BİRİM YETERLİ HAVA BESLEMİYOR	
Olası sebebi	Tavsiye
Hava hortumu veya hava kanalı tıkalı.	Muayene ediniz ve engeli ortadan kaldırınız.
Hava sızıntısı.	Tüm contaları ve bağlantıları kontrol ediniz, hortum hasarsız ve sızdırmaz olmalıdır.
Gürültü kesici tıkalı.	CA Pressure gürültü kesiciyi değiştiriniz.
CA Conditioner filtresi tıkalı.	Filtreyi değiştiriniz.

BİRİM ÇALIŞMIYOR	
Olası sebebi	Tavsiye
Basınçlı hava besleme hatası. Hortumda hasar.	Basınç hava kaynağını kontrol ediniz.
	Bağlantı hortumlarının hasarsız olduğunu kontrol ediniz.
	Birimi yetkili servise gönderiniz.

9. Teknik Veriler

CA Pressure	Pressure	Pressure Flow Master	Pressure For Mask
Asgari hava akışı	170 l/min	170 l/min	170 l/min
Azami hava akışı	400 l/min	250 l/min	400 l/min
Birim ağırlığı	250 g	280 g	630 g (dahil filtre)
Giriş bağlantısı	RECTUS series 25, 26 ve CEJN320 ile uyumludur		
Çıkış bağlantısı	CA40x1/7"		MINI DN 5
Birimin gürültü seviyesi	61 dB	61 dB	61 dB
Bel ölçüsü	60 – 150 cm	60 – 150 cm	60 - 150 cm
Besleme basıncı kapsamı	300 – 1000 kPa	400 – 1000 kPa	400 – 1000 kPa
Çalışma esnasında sıcaklık	+10 ila +60 °C	+10 ila +60 °C	+10 ila +60 °C
Çalışma yerinde hava nemliliği	%20 ila %80 Rh	%20 ila %80 Rh	%20 ila %80 Rh
Sertifika	EN 14594 Sınıf 2A	EN 14594 Sınıf 3B	EN 14594 Sınıf 4B

CleanAIR® Pressure Conditioner	
Azami hava akışı	500 l/min
Filtresiz ağırlık	6 300 g
Filtre dahil ağırlık	6 800 g
Giriş bağlantısı	RECTUS series 25, 26 ve CEJN320 ile uyumludur
Çıkış bağlantısı	RECTUS series 25, 26 ve CEJN320 ile uyumludur
Çalışma esnasında tavsiye edilen sıcaklık	+10 ila +60 °C
Çalışma yerinde tavsiye edilen hava nemliliği	%20 ila %80 Rh
Sertifika	TP-610050-1 gereksinimleri yerine getirildiği takdirde EN 12021 standardına uygundur.

10. Onay, Sertifikalandırma

CleanAIR® Pressure basınçlı hava hat sistemleri EN 14594:2005 Avrupa standardı uyarınca CleanAIR® koruyucu başlıkları ve CleanAIR® koruyucu maskeleri ile kullanım için test edilmiş ve onaylanmıştır. Sistemin tüm parçaları imalatçı tarafından onaylanmış olmalı ve işbu belgede belirtilen talimatlar doğrultusunda kullanılmalıdır.

Onaylanmış test kuruluşu: Výzkumný ústav bezpečnosti práce, v.v.i. – ZL
Testing Laboratory No. 1024, Jeruzalémská 9, 116 52 Praha 1
Authorized Body 235 | Notified Body 1024

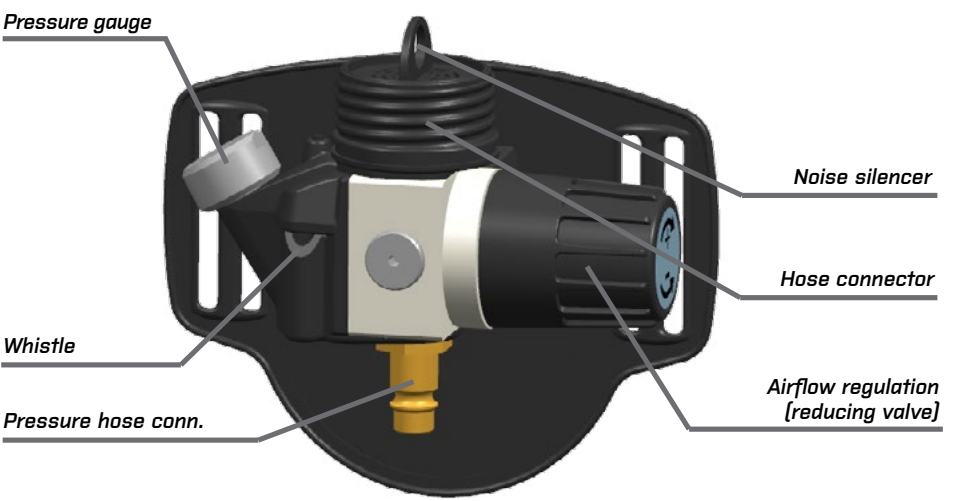
11. Yedek Parça Listesi

CleanAIR® Pressure (Flow Master)	
Sipariş No.:	Tanım:
63 00 00	CA Pressure + kemer
67 00 00	CA Pressure Flow Master + konforlu kemer
61 00 30	CAP için standart 10 m hortum
61 00 31	CAP için antistatik 10 m hortum
61 00 38	CAP için standart 25 m hortum
61 00 39	CAP için standart 50 m hortum
61 00 46	CAP spiral hortum 10 m hortum, mekanik olarak mukavemetli
63 00 10	Gürültü kesici
70 00 60	Hafif fleksi hortum CA40x1/7" - CA40x1/7"
70 00 86CA	Lastik hortum CA40x1/7" - CA40x1/7"
70 00 95	CA Pressure için kemer 155 cm
71 00 93	Konforlu yastıklı kemer
72 00 93	Deri konforlu kemer
70 00 90RD	Hava akışı göstergesi

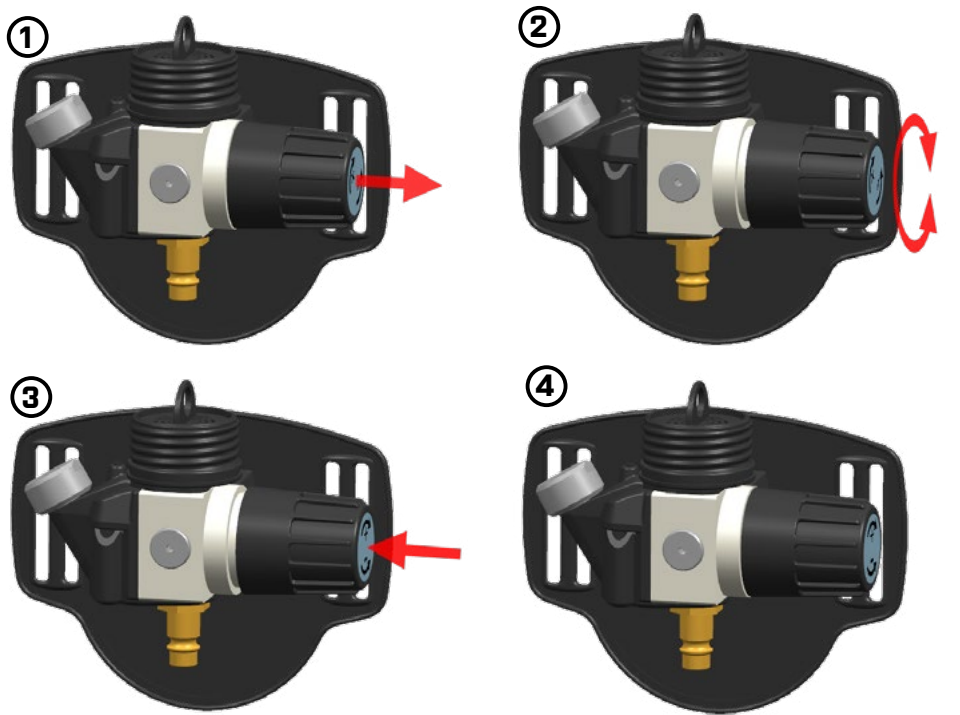
CleanAIR® Pressure For Mask	
Sipariş No.:	Tanım:
65 00 00PC	CA Pressure For Mask, konfor kemeri ile komple set
65 00 00PD	CA Pressure For Mask, tam kontaklı kemer seti
61 00 30	CAP için standart 10 m hortum
61 00 31	CAP için antistatik 10 m hortum
61 00 38	CAP için standart 25 m hortum
61 00 39	CAP için standart 50 m hortum
61 00 46	CAP spiral hortum 10 m hortum, mekanik olarak mukavemetli
70 00 90RD	Hava akışı göstergesi
70 00 60	Hafif fleksi hortum CA40x1/7" - CA40x1/7"
70 00 86CA	Lastik hortum CA40x1/7" - CA40x1/7"
50 02 48	Filtre P3, iki RD40x1/7"
50 02 68	Filtre A2B2E2K2P3, iki RD40x1/7"

CleanAIR® Pressure Conditioner	
Sipariş No.:	Tanım:
61 00 50	CleanAIR® Pressure Conditioner
61 00 10	CleanAIR® Pressure Conditioner için filtre
61 00 24	CleanAIR® Pressure Conditioner - O-halka conta 139x3 mm
61 00 28	CleanAIR® Pressure Conditioner - O-halka conta 30x4 mm

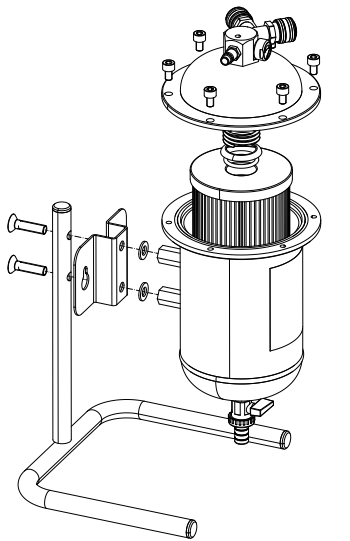
CA Pressure Flow Master description



Airflow adjustment - CA Pressure (Flow Master / For Mask)

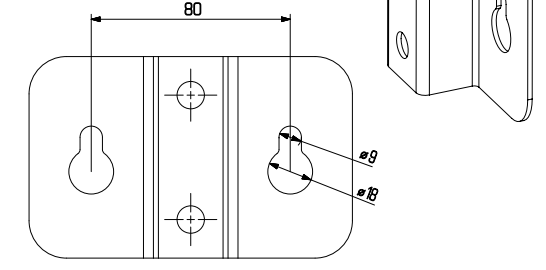


CA Pressure Conditioner assembly



Mounting on the wall

If you want to put the Conditioner filter station safely on the wall, include the wall mount when assembling the filter station. In order to reach sufficient firmness, use adequate dowels and screws, depending on the wall material.



In order to maximise the firmness, use screws with shank width of 8 mm. The diameter of the head has to be smaller than 17 mm.

CAP Conditioner filter change

