

# Product leaflet

Product	Model No.	Ordering No.
Compressed Air-fed Mask	SR 90 Airline M/L, Silikon SR 90 Airline S/M, Silikon	H03-1512 H03-1612

## Product Description

SR 90 Airline is a compressed air mask with filter back-up, designed for connection to an appropriate compressed air supply with breathable air. The overpressure which builds up in the mask prevents contaminated ambient air from reaching the user. SR 90 Airline can be used as an alternative to filter protection in all situations where such protection is recommended. This applies particularly to heavy work or long-duration work, and where contaminants do not provide adequate warning, or are especially toxic.

The mask is made from a material that does not cause sparks in the event of friction, which allows it to be used in explosive or inflammable environments.

The control valve is fitted with a warning whistle which operates if the air quantity falls below the recommended value. A flow meter for monitoring air flow is included. Compressed air should be purified with a Sundströms SR 99 or SR 99H compressed air filter. The latter type is fitted with an air heater. See separate production information.

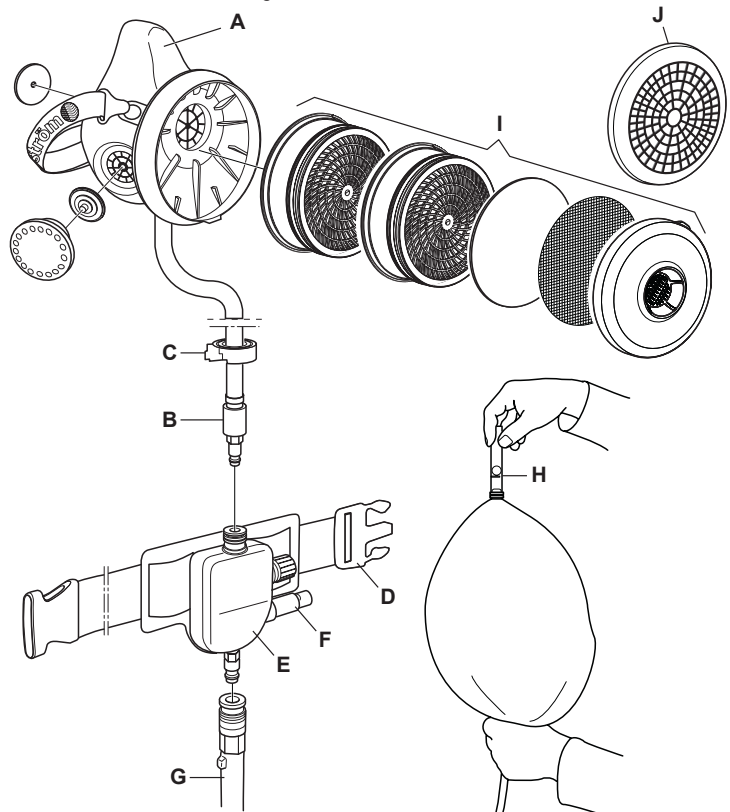
## Technical specification

	SR 90 Airline	EN 14594:2005
Working pressure	4–7 bar	≤ 10 bar
Airflow rate	150–320 l/min	≥ 120–300 l/min
Service temperature	-10 – +55 °C, < 90 % RH	-
Storage temperature	-20 – +40 °C, < 90 % RH	-
Weight without control valve	≈ 280 g	-
Low flow warning level	< 150 l/min	≤ 150 l/min
Assigned Protection Factor <sup>1</sup>	20 (3A)	-
Nominal Protection Factor <sup>2</sup>	200 (3A,3B)	-
Approvals	EN 14594:2005, 3A3B	-

1) Specified in BS 4275 and applies generally to all approved continuous flow airline half masks regardless of the test results.

2) According to EN 529:2005.

- A. Half mask
- B. Breathing hose
- C. Retaining clip
- D. Belt
- E. Control valve
- F. Warning whistle
- G. Compressed air supply hose
- H. Flow meter
- I. Filter combination
- J. Sealing cover



### Head Office

Tel: +46-(0)8-562 370 00  
Fax: +46-(0)8-562 370 20

Visiting address:  
Stockholmsvägen 33  
SE-181 33 Lidingö

### Factory

Tel: +46-(0)8-562 370 00  
Fax: +46-(0)8-562 370 60

Visiting address:  
Västergatan 4  
SE-341 50 Lagan

**Sundström**  
www.srsafety.com