

# Product Data Sheet

## Circuit breaker lockout S2390 - S2391 - S2392 - S2393

**Circuit breaker lockout for interrupting the power supply at source, thus protecting workers from accidental reactivation of the electric current**

- ✓ Complies with **UTE C18-510** relating to electricity, **OSHA 1910.147** relating to lockout devices and **BS7671:2008 (Sections 537.2.2.4 & 537.3.1.2)** on working conditions and equipment relating to protection against unintentional or unauthorised operation

- ✓ Locks most European and Asian circuit breakers

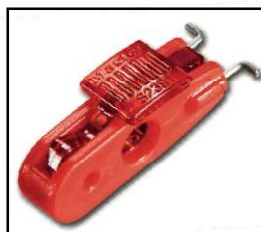
- ✓ Fast and easy to use

- ✓ S2390 & S2391 can be used with all Master Lock® padlocks and hasps



**S2390**

For toggle openings of 11 mm or less



**S2391**

For toggle openings of 11 mm or more



**S2392**

For toggles with side lockout points



**S2393**

For all toggle types. Use a screw driver to tighten the toggle

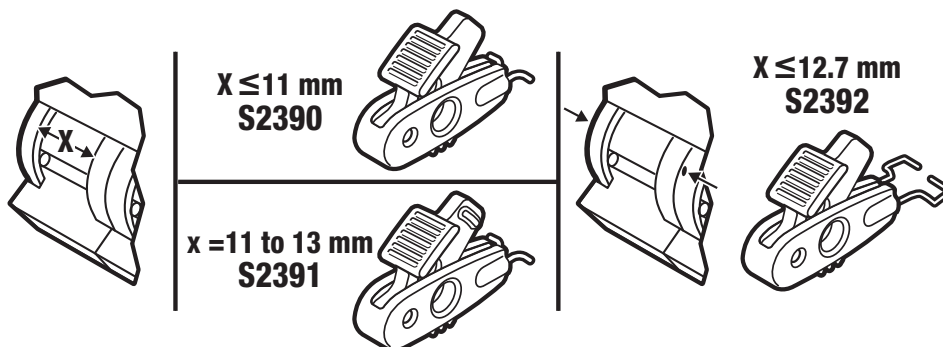


Tableau de compatibilité des blocs disjoncteurs / Breaker Compatibility Chart

Marque Brand	Référence Product number	Référence Master Lock Master Lock Model	Marque Brand	Référence Product number	Référence Master Lock Master Lock Model
ABB	S222	S2390	Legrand	01935	S2393
ABB	F374	S2390	Legrand	01980	S2398
ABB	S251,S261,S263	S2390	Legrand	C80A	S2391
ABB	S272, S253	S2390	Legrand	4302	S2392
ABB	S253	S2390	Legrand	646	S2392
ABB	JS	S2390	Legrand	1935	S2393/493B
ABB	S1	S2390	Merlin Gerin	B100A	S2391-S2393
ABB	S3	S2390	Merlin Gerin	C60N	S2390
ABB	S501UC-B	S2391	Merlin Gerin	C32N	S2390
ABB	S502UC-B	S2391	Merlin Gerin	C60N	S2390
ABB	S503UC-B	S2391	Merlin Gerin	C32N	S2390
ABB	S504UC-B	S2391	Merlin Gerin	C45AD	S2390
AEG	E82S	S2392	Merlin Gerin	C16	S2390
Allen Bradley	S222	S2390	Merlin Gerin	C80A	S2391
Allen Bradley	1492-CB1F	S2390	Merlin Gerin	C80A	S2393
Allen Bradley	1492-CB2F	S2390	Merlin Gerin	NC100H	S2391
Allen Bradley	1492-CB3F	S2390	Merlin Gerin	NC125H	S2391
Allen Bradley	1492-CB1G	S2390	Merlin Gerin	NC100L	S2391
Allen Bradley	1492-CB2G	S2390	Merlin Gerin	NC100LH	S2391
Buschmat	S46	S2390	Merlin Gerin	NC100MA	S2391
Clipsal	4CB116	S2390	Merlin Gerin	NC100N	S2391
Clipsal	4CB320	S2390	Proteus	C60N	493B
Cutler Hammer	WME	S2390	Proteus	C16	S2390
Cutler Hammer	WMF	S2390	Siemens ITE	55X11	S2391
Cutler Hammer	WMH	S2390	Siemens ITE	55X12	S2393
Cutler Hammer	WMM	S2390	Siemens ITE	55X13	S2393
Cutler Hammer	WMN	S2390	Siemens ITE	55X21	S2391
Cutler Hammer	WMS	S2390	Siemens ITE	55Q11	S2391
E-T-A	911220G	S2390	Siemens ITE	55Q12	S2393
E-T-A	911225	S2390	Siemens ITE	55Q13	S2393
FAZ	C16	S2390	Siemens ITE	55Q16	S2393
FAZ	C16	S2390	Siemens ITE	55N22	S2393
GE Vynckier	Serie G	S2392	Siemens 17U	5SD12	493B
GE Vynckier	Serie E	S2392	Siemens 17U	5SD13	493B
GE Vynckier	Serie G	S2392	Siemens 17U	5SD16	493B
GE Vynckier	Serie E	S2392	Siemens 17U	5SD11	S2391
GE Vynckier 16A	Serie E	S2392	Siemens C10	5SX1	S2391
GE Vynckier C16,16A	Serie E	S2392	Siemens B32	5SX1-2	493B
Hager	S222	S2390	Siemens C70	5SX13	493B
Kapp	LS68	S2392	Siemens L20A	5SN2-2	493B
Legrand	01980	493B	Sursun	EA53	S2392
Legrand	01980	S2390/493B	Wylex	WRS40/2	S2390
Legrand	01908	S2390			